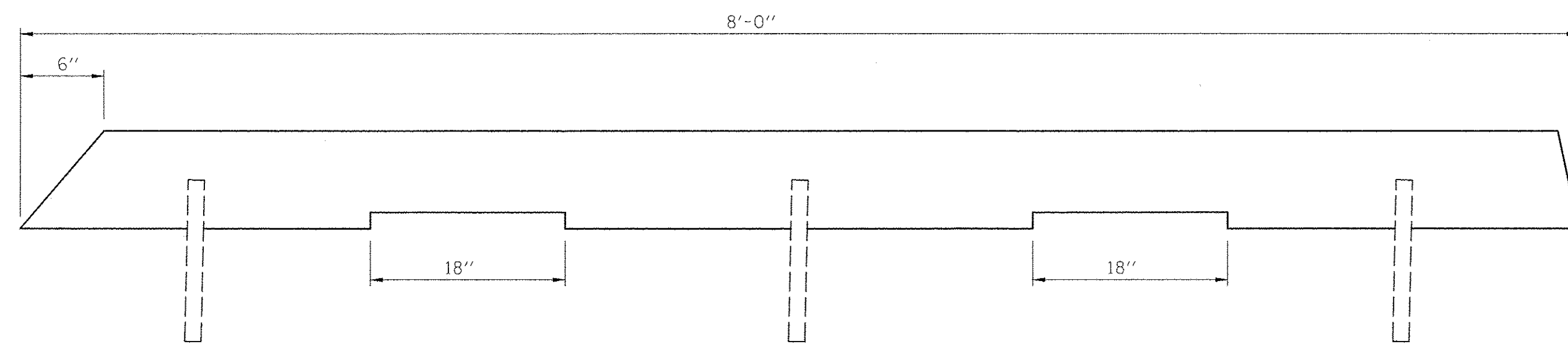
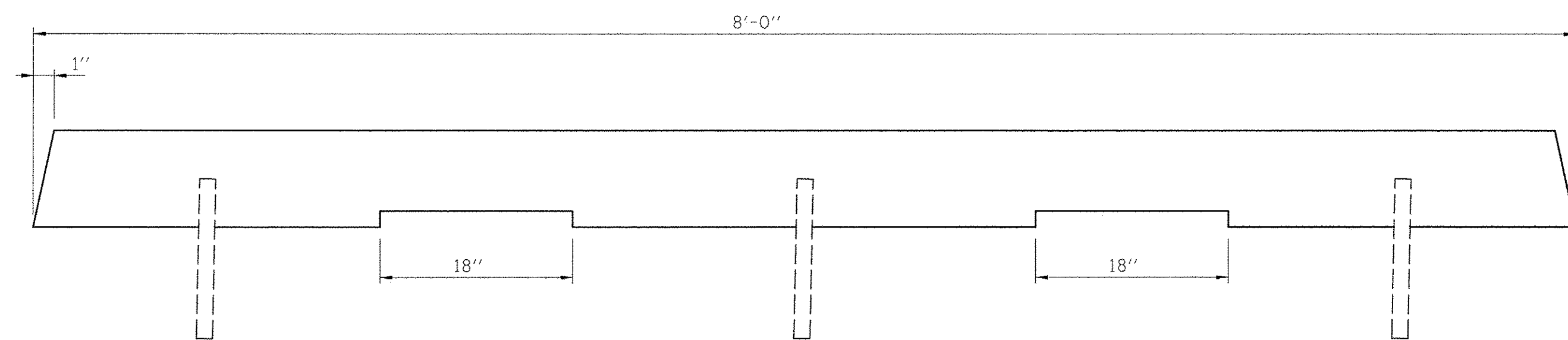


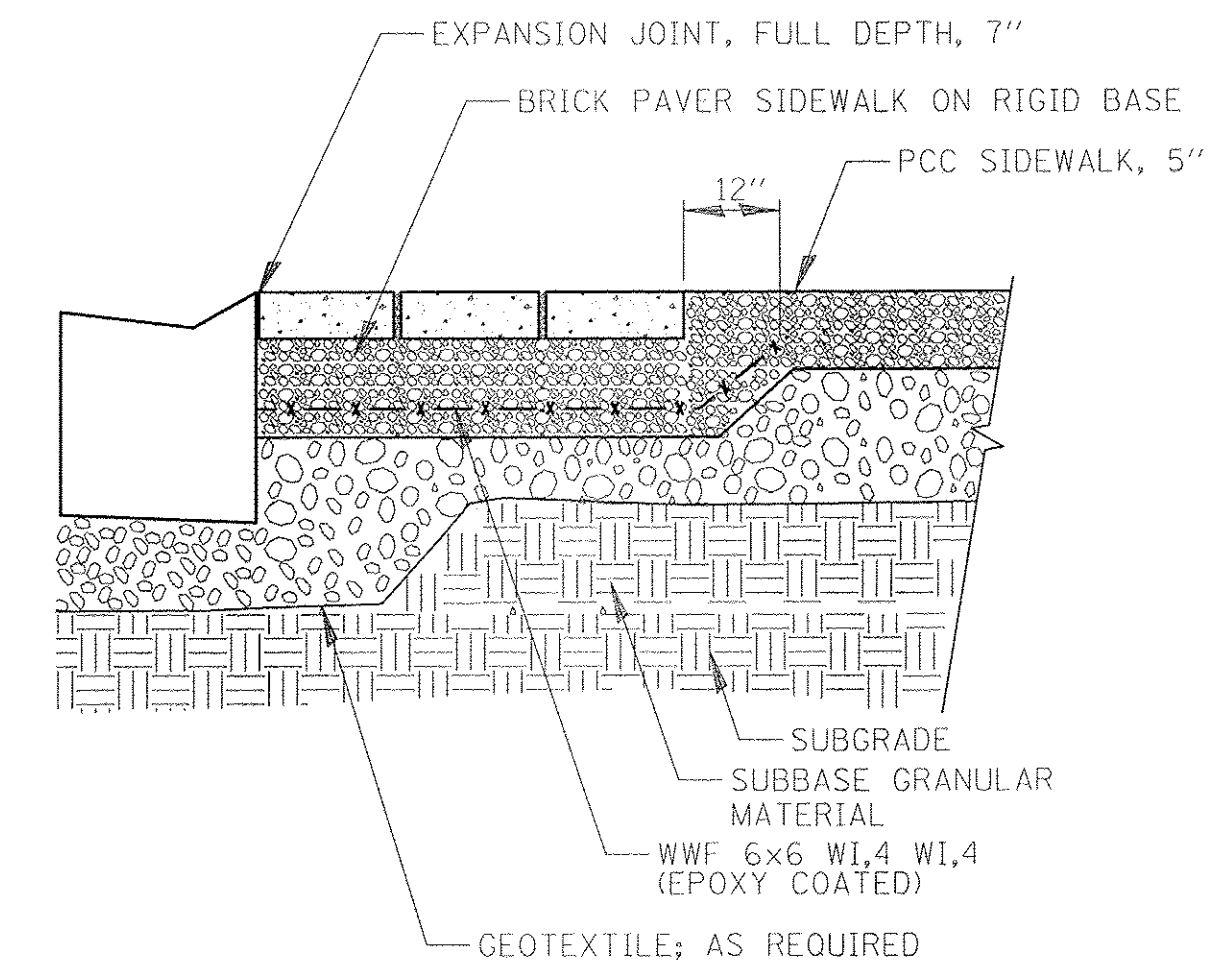
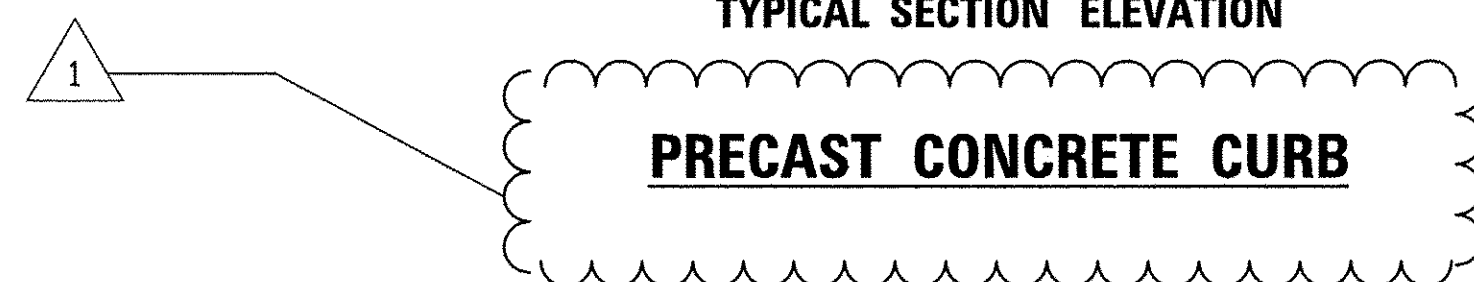
**SECTION**



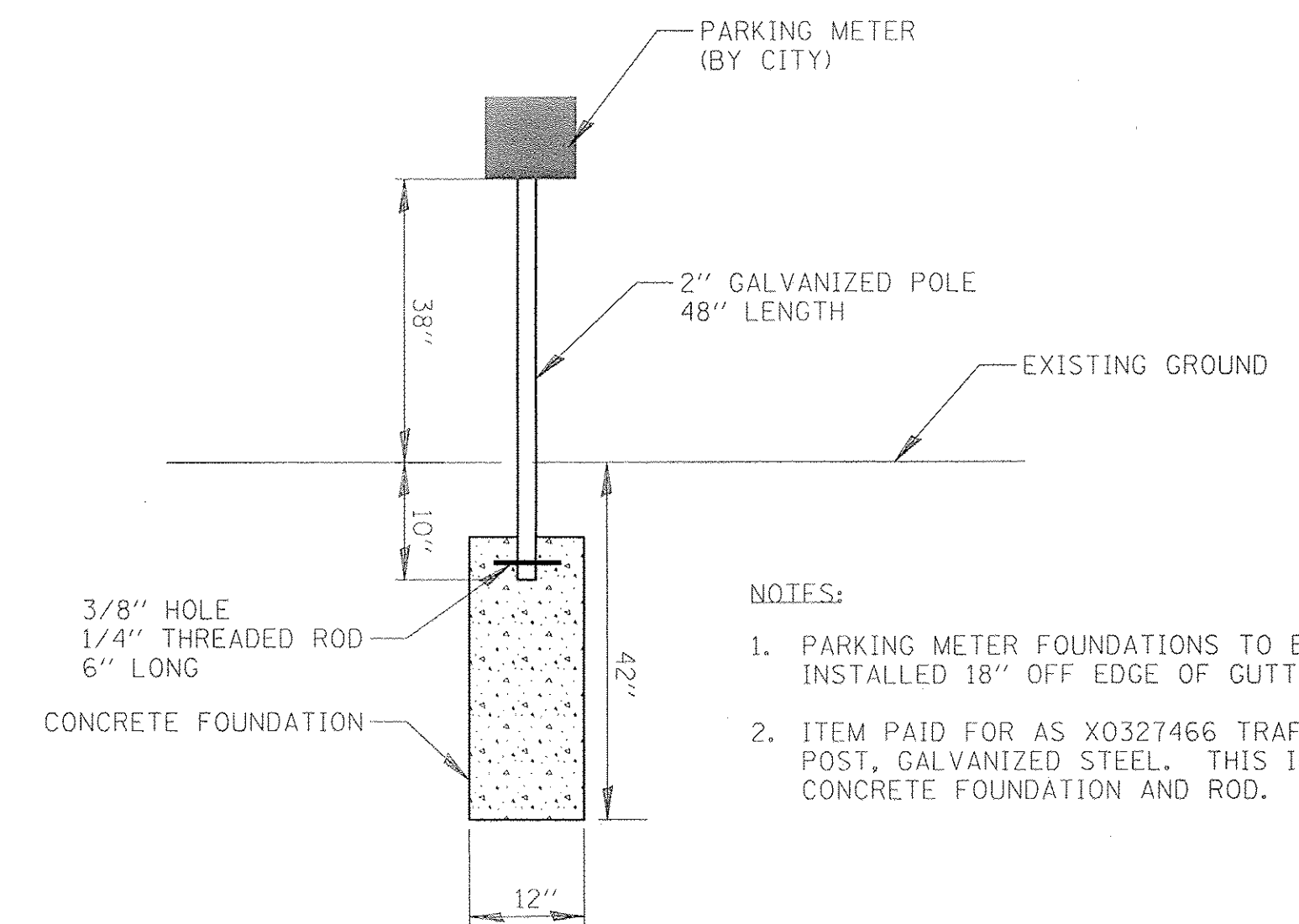
**END SECTION ELEVATION**



**TYPICAL SECTION ELEVATION**



**BRICK SIDEWALK DETAIL**



**NEW PARKING METER DETAIL**

FILE NAME =	USER NAME = mmschalowicz	DESIGNED -	REVISED -  12/30/2016	<b>STATE OF ILLINOIS DEPARTMENT OF TRANSPORTATION</b>	<b>CHICAGO AVE/SHERIDAN RD. CONSTRUCTION DETAILS</b>		F.A.U. RTE.	SECTION	COUNTY	TOTAL SHEETS	SHEET NO.
NA:EVANSTON\140138.02\Civil\CON_140138.02	PH.SHT	DRAWN -	REVISED -				2853	14-00273-00-BT	COOK	274	235
Default	PLOT SCALE = 40'	CHECKED -	REVISED -				CONTRACT NO. 61D36				
	PLOT DATE = 12/30/2016	DATE -	REVISED -				ILLINOIS FED. AID PROJECT				
				SCALE: 1"= 40'	SHEET	OF	SHEETS	STA.	TO	STA.	