

STATE OF ILLINOIS
DEPARTMENT OF TRANSPORTATION

F.A.I. RTE.	SECTION	COUNTY	TOTAL SHEETS	SHEET NO.
55	(54-1) RS-4,Q	LOGAN	10	1
		ILLINOIS	CONTRACT NO. 72G17	

FOR INDEX OF SHEETS, SEE SHEET NO. 2

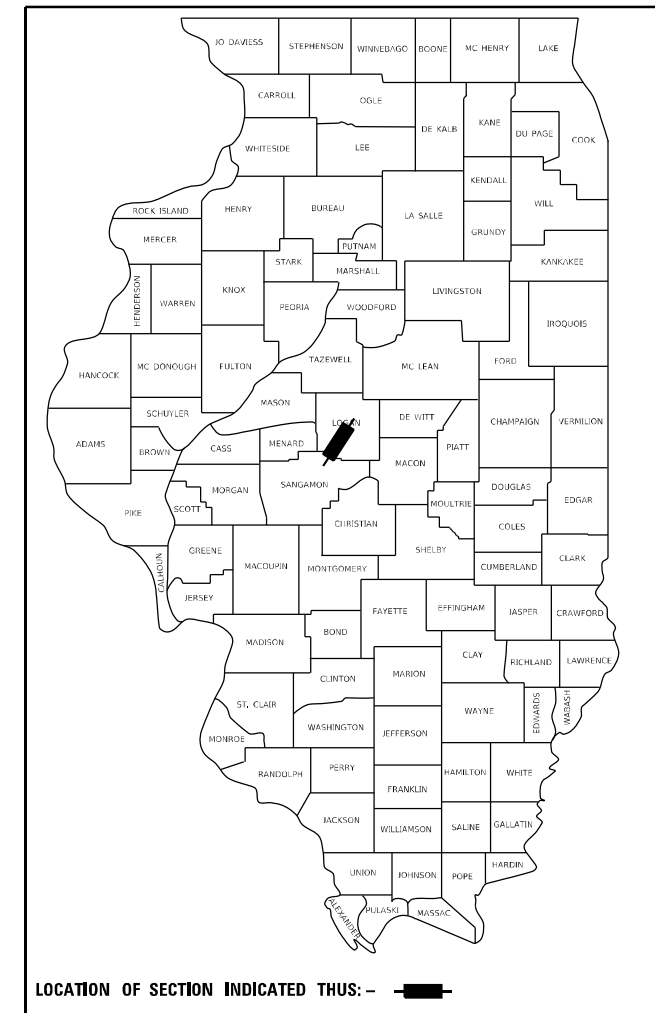
FAI, I 55
ADT-33,600 (2021)
DESIGN SPEED - 75 MPH
POSTED SPEED - 70 MPH
FUNCTIONAL CLASSIFICATION - INTERSTATE
PV= 73.26%
SV= 2.94%
MU= 23.8%

PROPOSED HIGHWAY PLANS

FAI ROUTE 55 (I-55)
SECTION (54-1)RS-4,Q
PROJECT NHPP-VSZZ(054)
SMART OVERLAY
LOGAN COUNTY

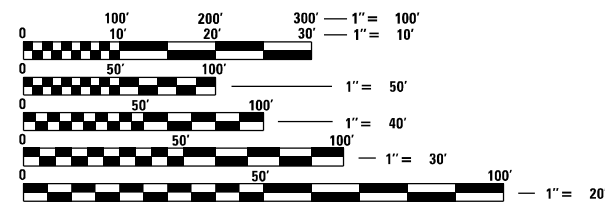
C-96-053-13

D-96-053-13



STANDARDS

- | | | |
|-----------|-----------|-----------|
| 000001-08 | 701426-09 | 001006 |
| | 701428-01 | 420001-10 |
| 701101-05 | 701446-11 | 442001-04 |
| 701106-02 | 701901-08 | |
| 701400-11 | 780001-05 | |
| 701401-13 | 781001-04 | |
| 701411-09 | | |

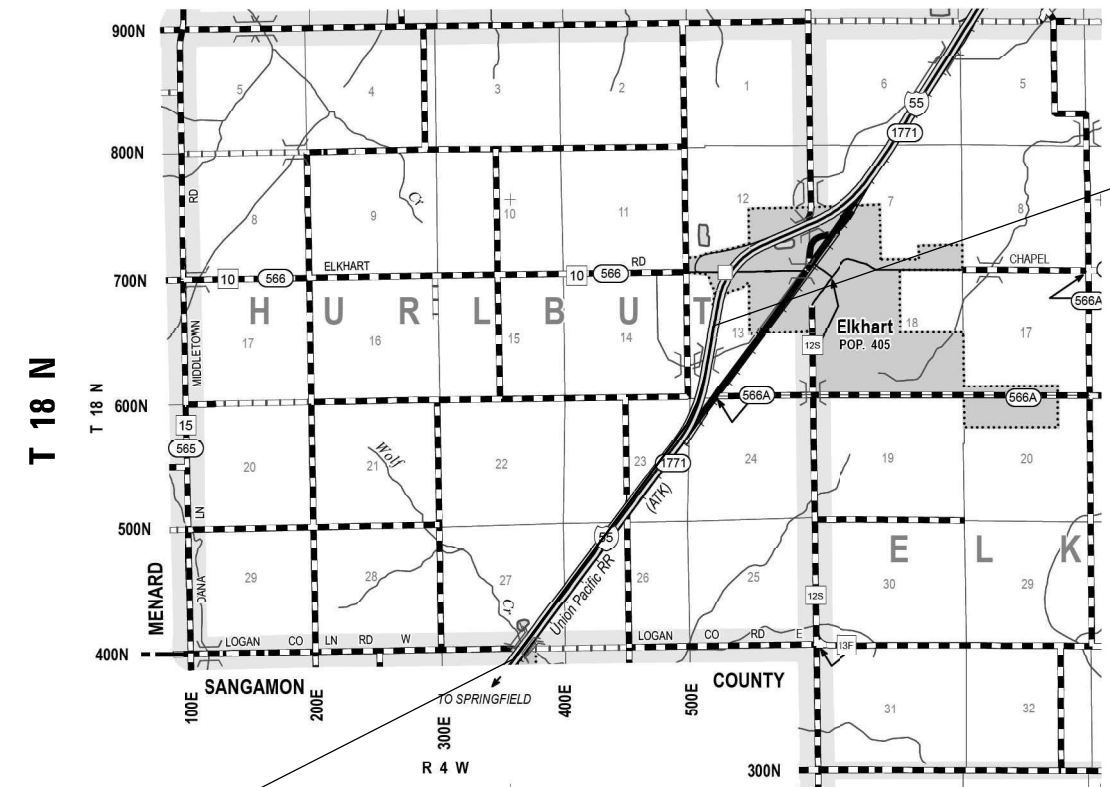


FULL SIZE PLANS HAVE BEEN PREPARED USING STANDARD ENGINEERING SCALES, REDUCED SIZED PLANS WILL NOT CONFORM TO STANDARD SCALES. IN MAKING MEASUREMENTS ON REDUCED PLANS, THE ABOVE SCALES MAY BE USED.

J.U.L.I.E.
JOINT UTILITY LOCATION INFORMATION FOR EXCAVATORS
1-800-892-0123
OR 811

PROJECT ENGINEER: JAY EDWARDS (217) 785-0597
PROJECT MANAGER: JON COX (217) 782-1378

CONTRACT NO. 72G17



END IMPROVEMENT
STA. 584+10

BEGIN IMPROVEMENT
STA. 424+97.9

LOGAN CO
SANGAMON CO LINE

GROSS LENGTH = 15,912.1 FT. = 3.014 MILE
NET LENGTH = 15,912.1 FT. = 3.014 MILE

STATE OF ILLINOIS
DEPARTMENT OF TRANSPORTATION

SUBMITTED October 17, 2022

Jay P. Myers
REGIONAL ENGINEER

December 9, 2022

Steph M. Smith
ENGINEER OF DESIGN AND ENVIRONMENT

December 9, 2022

Steph M. Smith
DIRECTOR OF HIGHWAYS PROJECT IMPLEMENTATION

PRINTED BY THE AUTHORITY
OF THE STATE OF ILLINOIS

GENERAL NOTES

- 1 THE CONTRACTOR SHALL NOTIFY THE DISTRICT 6 BUREAU OF OPERATIONS AT (217) 785-5306 THREE WEEKS PRIOR TO IMPLEMENTING ANY TRAFFIC CONTROL.
- 2 THE DISTRICT 6 BUREAU OF OPERATIONS SHALL BE NOTIFIED AT LEAST 14 DAYS PRIOR TO PLACEMENT OF FINAL PAVEMENT MARKINGS (PH: 217-785-5306).

RATE TABLE

THE FOLLOWING RATES OF APPLICATION HAVE BEEN ASSUMED IN CALCULATING PLAN QUANTITIES.

HMA SURFACE/BINDER .056 TONS/(SQYD*IN)
 BITUMINOUS MATERIALS (TACK COAT): 0.05 LBS / SQ FT (MILLED SURFACE)
 BITUMINOUS MATERIALS (FOG SEAL) : 0.08 LBS / SQ FT (FOR SHLDRS)

LOCATIONS:	I-55 MAINLINE
MIXTURE USE(S):	POLYMER HMA SURFACE COURSE 1.5"
AC/PG:	SBS PG 76-28
DESIGN AIR VOIDS:	4.0% @ N DESIGN = 90
MIXTURE COMPOSITION (GRADATION MIXTURE)	IL 9.5
FRICTION AGGREGATE:	MIX "D"
QUALITY MANAGEMENT	PPF
SUBLOT SIZE:	1,000 TONS
MTD:	YES

INDEX OF SHEETS

- 1 COVER SHEET
- 2 INDEX OF SHEETS, LISTS OF STANDARDS, GENERAL NOTES AND COMMITMENTS
- 3 SUMMARY OF QUANTITIES
- 4-5 SCHEDULE OF QUANTITIES
- 6 TYPICAL SECTIONS
- 7-9 PLAN SHEETS
- 10 DETAIL SHEET

**STATE OF ILLINOIS
 DEPARTMENT OF TRANSPORTATION
 DIVISION OF HIGHWAYS
 DISTRICT 6**

EXAMINED September 28 2022


 ENGINEER OF OPERATIONS

EXAMINED September 23 2022


 ENGINEER OF PROJECT IMPLEMENTATION

EXAMINED October 5 2022


 ENGINEER OF PROGRAM DEVELOPMENT

REV. - MS

FILE NAME =	USER NAME = andrew.cisler	DESIGNED - _____	REVISED - _____	STATE OF ILLINOIS DEPARTMENT OF TRANSPORTATION	GENERAL NOTES	F.A.I. RTE.	SECTION	COUNTY	TOTAL SHEETS	SHEET NO.
px:\idot-pw.bentley.com\PIDOT\Documents\IDOT Offices\District 6\Projects\0672017\CDRAWINGS\0672017-shi-genote.dgn	DRAWN	REVISIONS	55			(54-1) RS-4,0	LOGAN	10	2	
Default	PLOT SCALE = 100.0000' / in.	CHECKED - _____	REVISED - _____			CONTRACT NO. 72G17				
	PLOT DATE = 10/12/2022	DATE - _____	REVISED - _____	SCALE: _____	SHEET 1 OF 1 SHEETS	STA. _____ TO STA. _____	ILLINOIS FED. AID PROJECT			

				6-01473-0000	
				90% FEDERAL 10% STATE	
CODE NO.	ITEM	UNIT	TOTAL QUANTITY	ROADWAY	
				0005	RURAL
40600290	BITUMINOUS MATERIALS (TACK COAT)	POUND	60466	60466	
40600372	LONGITUDINAL JOINT SEALANT, HALF-WIDTH	FOOT	127297	127297	
40604164	POLYMERIZED HOT-MIX ASPHALT SURFACE COURSE, 1L-9.5, MIX "D", N90	TON	11287	11287	
44000155	HOT-MIX ASPHALT SURFACE REMOVAL, 1 1/2"	SQ YD	134369	134369	
44200610	CLASS A PATCHES, TYPE II, 13 INCH	SQ YD	100	100	
44200612	CLASS A PATCHES, TYPE III, 13 INCH	SQ YD	100	100	
44200614	CLASS A PATCHES, TYPE IV, 13 INCH	SQ YD	100	100	
44213000	PATCHING REINFORCEMENT	SQ YD	300	300	
44213200	SAW CUTS	FOOT	1356	1356	
44213204	TIE BARS 3/4"	EACH	200	200	
67000400	ENGINEER'S FIELD OFFICE, TYPE A	CAL MO	6	6	
67100100	MOBILIZATION	L SUM	1	1	
70100420	TRAFFIC CONTROL AND PROTECTION, STANDARD 701411	EACH	1	1	
70100800	TRAFFIC CONTROL AND PROTECTION, STANDARD 701401	L SUM	1	1	

				6-01473-0000	
				90% FEDERAL 10% STATE	
CODE NO.	ITEM	UNIT	TOTAL QUANTITY	ROADWAY	
				0005	RURAL
70100815	TRAFFIC CONTROL AND PROTECTION, STANDARD 701446	L SUM	1	1	
70107025	CHANGEABLE MESSAGE SIGN	CAL DA	30	30	
70200100	NIGHTTIME WORK ZONE LIGHTING	L SUM	1	1	
70300100	SHORT TERM PAVEMENT MARKING	FOOT	8911	8911	
70300150	SHORT TERM PAVEMENT MARKING REMOVAL	SQ FT	2970	2970	
* 78009005	MODIFIED URETHANE PAVEMENT MARKING - LINE 5"	FOOT	79561	79561	
* 78011030	GROOVING FOR RECESSED PAVEMENT MARKING 6"	FOOT	79561	79561	
* 78100100	RAISED REFLECTIVE PAVEMENT MARKER	EACH	1592	1592	
78300200	RAISED REFLECTIVE PAVEMENT MARKER REMOVAL	EACH	1592	1592	
X0300010	BITUMINOUS MATERIALS (FOG SEAL)	POUND	46051	46051	
X0322279	OUTLET MARKER	EACH	128	128	
Ø Z0076600	TRAINEES	HOUR	1000	1000	
X2503000	MAINTENANCE MOWING	ACRE	22	22	
Ø Z0076604	TRAINEES TRAINING PROGRAM GRADUATE	HOUR	1000	1000	
Z0034105	MATERIAL TRANSFER DEVICE	TON	11287	11287	

* SPECIALTY ITEM

Ø 0042

REV. - MS

FILE NAME =	USER NAME = andrew.cisler	DESIGNED -	REVISED -	STATE OF ILLINOIS DEPARTMENT OF TRANSPORTATION	SUMMARY OF QUANTITIES	F.A.I. RTE.	SECTION	COUNTY	TOTAL SHEETS	SHEET NO.	
pw:\idot-pw.bentley.com\PI\DOT\Documents\IDOT Offices\District 6\Projects\0672617\CDRAWINGS\Drawings\0672617-sht-500.dgn		CHECKED -	REVISED -			55	(54-1) RS-4.0	LOGAN	10	3	
PLOT SCALE = 100.0000' / in.		DATE -	REVISED -			CONTRACT NO. 72G17					
Default						SCALE:	SHEET 1	OF 1	SHEETS	STA.	TO STA.

LOCATION		LENGTH (FOOT)	WIDTH (FOOT)	40600290 BITUMINOUS MATERIALS (TACK COAT) (POUND)	40600372 LONG JOINT SEALANT, HALF WIDTH (FOOT)	40604164 POLYMERIZED HMA SURFACE COURSE, IL-9.5, MIX "D", N90 (TON)	44000155 HMA SURFACE REM 1 1/2" (SQ YD)	Z0034105 MATERIAL TRANSFER DEVICE (TON)
FAI 55 (INTERSTATE 55)								
424+97.90	TO	450+00.00	2502.1	38	9507.98	20016.80	1774.82	21128.84
450+00.00	TO	500+00.00	5000	38	19000.00	40000.00	3546.67	42222.22
500+00.00	TO	550+00.00	5000	38	19000.00	40000.00	3546.67	42222.22
550+00.00	TO	584+10.00	3410	38	12958.00	27280.00	2418.83	28795.56
TOTAL					60466	127297	11287	134369
							11287	11287

LOCATION		SIDE	70300100 SHORT TERM PAVEMENT MARKING (FT)		70300150 SHORT TERM PAVEMENT MARKING REM (SQFT)		
FAI 55 (INTERSTATE 55)			CENTERLINE	EDGELINE	CENTERLINE	EDGELINE	
424+97.90	TO	450+00.00	NB/SB	1000.84	400	333.61	133.45
450+00.00	TO	500+00.00	NB/SB	2000.00	800	666.67	266.67
500+00.00	TO	550+00.00	NB/SB	2000.00	800	666.67	266.67
550+00.00	TO	584+10.00	NB/SB	1364.00	546	454.67	181.87
SUBTOTAL				6364.84	2545.94	2121.61	848.65
TOTAL				8911		2970	

LOCATION		SIDE	78009005 MODIFIED URETHANE MARKING 5" (FOOT)			78011030 GROOVING FOR RECESSED PAVEMENT MARKING 6" (FOOT)
FAI 55 (INTERSTATE 55)			WHITE	YELLOW		
			CENTERLINE	EDGELINE	EDGELINE	
424+97.90	TO	450+00.00	NB/SB	2502.10	5004.20	5004.20
450+00.00	TO	500+00.00	NB/SB	5000.00	10000.00	10000.00
500+00.00	TO	550+00.00	NB/SB	5000.00	10000.00	10000.00
550+00.00	TO	584+10.00	NB/SB	3410.00	6820.00	6820.00
SUBTOTAL				15912.10	31824.20	31824.20
TOTAL				79561		79561

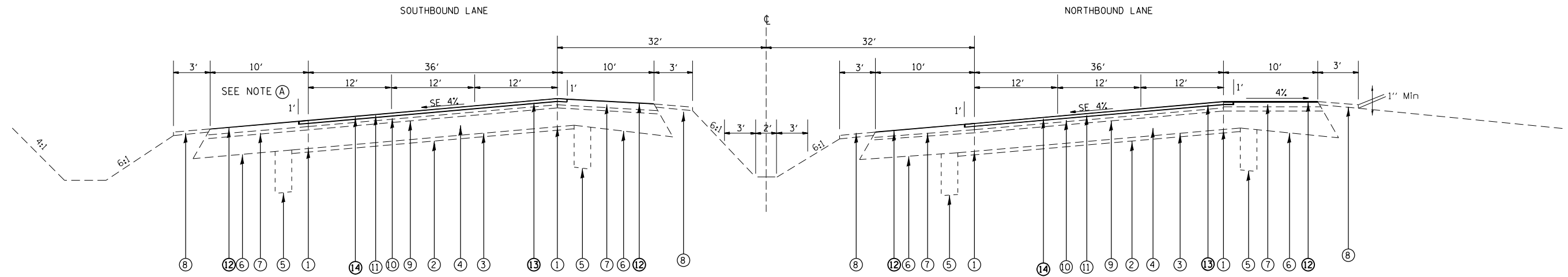
LOCATION		LENGTH (FOOT)	WIDTH (FOOT)	X0300010 BITUMINOUS MATERIALS (FOG SEAL) (POUND)
FAI 55 (INTERSTATE 55)				
424+97.90	TO	450+00.00	2502.1	9
450+00.00	TO	500+00.00	5000	9
500+00.00	TO	550+00.00	5000	9
550+00.00	TO	584+10.00	3410	9
CROSSOVERS				
TOTAL				46051

LOCATION		SIDE	78100100 RAISED REFLECTIVE PAVEMENT MARKER (EACH)	78300200 RAISED REFLECTIVE PAVEMENT MARKER REM (EACH)
FAI 55 (INTERSTATE 55)				
424+97.90	TO	450+00.00	NB/SB	250.21
450+00.00	TO	500+00.00	NB/SB	500.00
500+00.00	TO	550+00.00	NB/SB	500.00
550+00.00	TO	584+10.00	NB/SB	341.00
TOTAL				1592

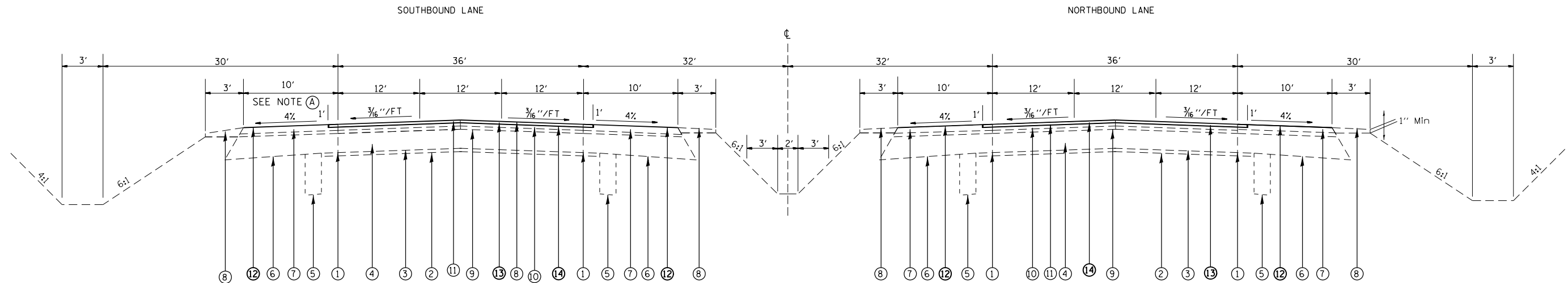
REV. - MS

FILE NAME =	USER NAME = andrew.cisler	DESIGNED -	REVISED -	STATE OF ILLINOIS DEPARTMENT OF TRANSPORTATION	SCHEDULE OF QUANTITIES	F.A.I. RTE.	SECTION	COUNTY	TOTAL SHEETS	SHEET NO.	
pw:\idot-pw.bentley.com\PI\DOT Documents\DOT Offices\District 6\Projects\0672G17\CDRAWINGS\0672G17-sht-schedule.dgn	PLLOT SCALE = 100.0000' / in.	CHECKED -	REVISED -			55	(54-1) RS-4, 0	LOGAN	10	4	
Default	PLLOT DATE = 10/11/2022	DATE -	REVISED -			SCALE: SHEET 1 OF 2 SHEETS STA. TO STA.					
						ILLINOIS FED. AID PROJECT CONTRACT NO. 72G17					

			44200610	44200612	44200614	44213200	44213000	44213204
<u>LOCATION</u>			CLASS A PATCHES TYPE II, 13 IN (SQ YD)	CLASS A PATCHES, TYPE III, 13 INCH (SQ YD)	CLASS A PATCHES, TYPE IV, 13 INCH (SQ YD)	SAW CUTS (LIN FT)	PATCHING REINFORCE- MENT (SQ YD)	TIE BARS 3/4" (EACH)
FAI 55 (INTERSTATE 55)								
424+97.90	TO	584+10.00	15.00	6.00	10.00	100.00		
424+97.90	TO	584+10.00	30.00	6.00	20.00		100.00	100.00
424+97.90	TO	584+10.00	37.50	6.00	25.00		100.00	100.00
TOTAL			100	100	100	1356	300	200



STA. 536+70.13 TO STA. 564+11.36



STA. 424+97.90 TO STA. 536+70.13
STA. 564+11.36 TO STA. 584+10

LEGEND

- ① EXISTING LONGITUDINAL JOINT
- ② EXISTING 4" GRANULAR SUB-BASE
- ③ EXISTING 4" STABILIZED SUB-BASE
- ④ EXISTING 8" P.C.C. PAVEMENT
- ⑤ EXISTING PIPE UNDERDRAINS - 4"
- ⑥ EXISTING STABILIZED SHOULDER
- ⑦ EXISTING BITUMINOUS SHOULDERS SUPERPAVE
- ⑧ EXISTING AGGREGATE SHOULDERS, TYPE B
- ⑨ EXISTING BITUMINOUS CONCRETE 1 3/4"
- ⑩ EXISTING BITUMINOUS CONCRETE BINDER COURSE SUPERPAVE 1 3/4"
- ⑪ EXISTING BITUMINOUS CONCRETE SURFACE COURSE SUPERPAVE 1 1/2"
- ⑫ PROPOSED BITUMINOUS MATERIALS (FOG SEAL) (SHLDR)
- ⑬ PROPOSED HMA SURFACE REMOVAL 1 1/2"
- ⑭ PROPOSED POLY. HMA SURF. CSE IL 9.5, MIX D, N90- 1 1/2"

NOTE : (A) THE PROPOSED OVERLAY WILL EXTEND 1' INTO THE SHOULDER ON BOTH SIDES OF PAVEMENT DUE TO THE CONDITION OF THE EDGE OF PAVEMENT/SHOULDER JOINT

FILE NAME =	USER NAME = andrew.cisler	DESIGNED -	REVISED -
p:\dot-pw.bentley.com\PWIDOT\Documents\IDOT Offices\District 6\Projects\0672017\CDRAWNAD\Drawings\0672017-sht-typical.dgn		REVISIONS	REVISED -
Default	PLOT SCALE = 100.0000' / in.	CHECKED -	REVISED -
	PLOT DATE = 10/11/2022	DATE -	REVISED -

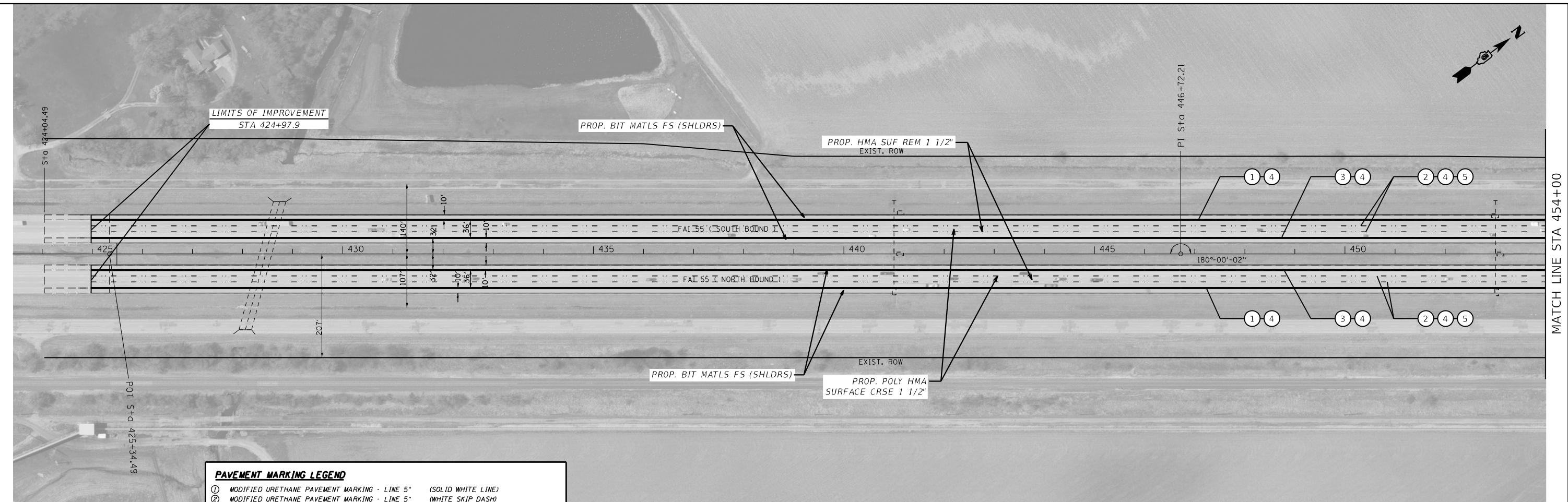
**STATE OF ILLINOIS
DEPARTMENT OF TRANSPORTATION**

TYPICAL SECTIONS

SCALE: SHEET 1 OF 1 SHEETS STA. TO STA.

F.A.I. RTE.	SECTION	COUNTY	TOTAL SHEETS	SHEET NO.
55	(54-1) RS-4, Q	LOGAN	10	6
CONTRACT NO. 72G17				
ILLINOIS FED. AID PROJECT				

MODEL: Default
 FILE: MainE_PlanSheet.dwg
 PROJECT: 72G17_CADD\Basis\CAD\Drawings\DOT\Office\Drawings\72G17_CADD\Basis\CAD\Drawings\72G17_PlanSheet.dwg



PAVEMENT MARKING LEGEND

①	MODIFIED URETHANE PAVEMENT MARKING - LINE 5"	(SOLID WHITE LINE)
②	MODIFIED URETHANE PAVEMENT MARKING - LINE 5"	(WHITE SKIP DASH)
③	MODIFIED URETHANE PAVEMENT MARKING - LINE 5"	(SOLID YELLOW LINE)
④	GROOVING FOR RECESSED PAVEMENT MARKING 6"	
⑤	RAISED REFLECTIVE PAVEMENT MARKER (DOUBLE)	



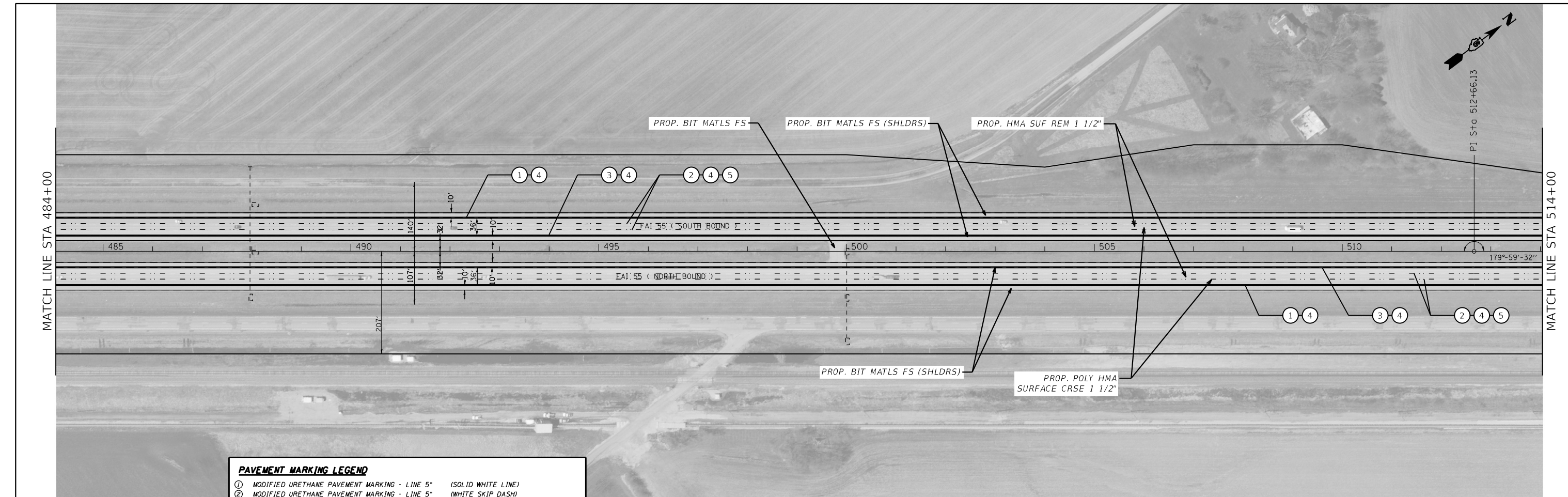
USER NAME = andrew.cisler	DESIGNED - _____	REVISED - _____
DRAWN - _____	REVISED - _____	
PLOT SCALE = 200,000.0' / in.	CHECKED - _____	REVISED - _____
PLOT DATE = 10/12/2022	DATE - _____	REVISED - _____

STATE OF ILLINOIS
DEPARTMENT OF TRANSPORTATION

PLAN SHEETS

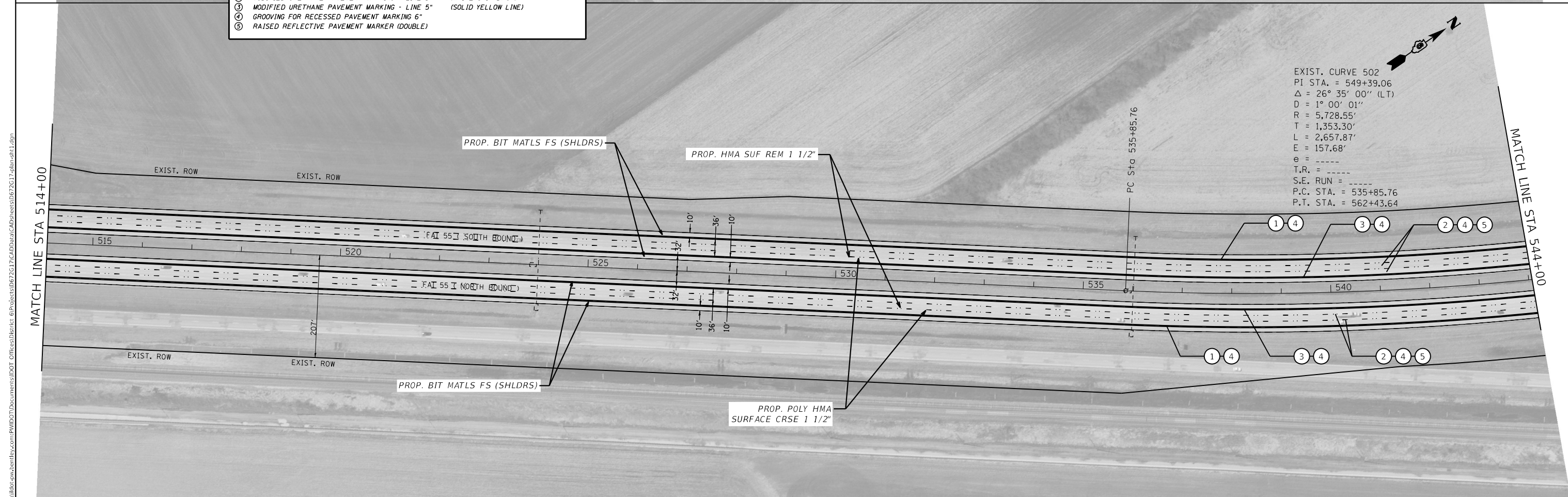
SCALE: _____ SHEET 1 OF 3 SHEETS STA. 424+97.9 TO STA. 484+00

F.A.J. RTE.	SECTION	COUNTY	TOTAL SHEETS	SHEET NO.
55	(54-1) RS-4, Q	LOGAN	10	7
CONTRACT NO. 72G17				
ILLINOIS FED. AID PROJECT				



PAVEMENT MARKING LEGEND

①	MODIFIED URETHANE PAVEMENT MARKING - LINE 5"	(SOLID WHITE LINE)
②	MODIFIED URETHANE PAVEMENT MARKING - LINE 5"	(WHITE SKIP DASH)
③	MODIFIED URETHANE PAVEMENT MARKING - LINE 5"	(SOLID YELLOW LINE)
④	GROOVING FOR RECESSED PAVEMENT MARKING 6"	
⑤	RAISED REFLECTIVE PAVEMENT MARKER (DOUBLE)	



EXIST. CURVE 502
 PI STA. = 549+39.06
 $\Delta = 26^\circ 35' 00''$ (LT)
 $D = 1^\circ 00' 01''$
 $R = 5,728.55'$
 $T = 1,353.30'$
 $L = 2,657.87'$
 $E = 157.68'$
 $e = \dots$
 $T.R. = \dots$
 $S.E. RUN = \dots$
 $P.C. STA. = 535+85.76$
 $P.T. STA. = 562+43.64$

MODEL: Default
 FILE NAME: p:\plottest\csw_bentley.com\pwworkspace\dot\Documents\DOT Office\shelby\6\Projects\0672617\CADD\as\CAD\pieces\0672617\plan-sh1.dgn

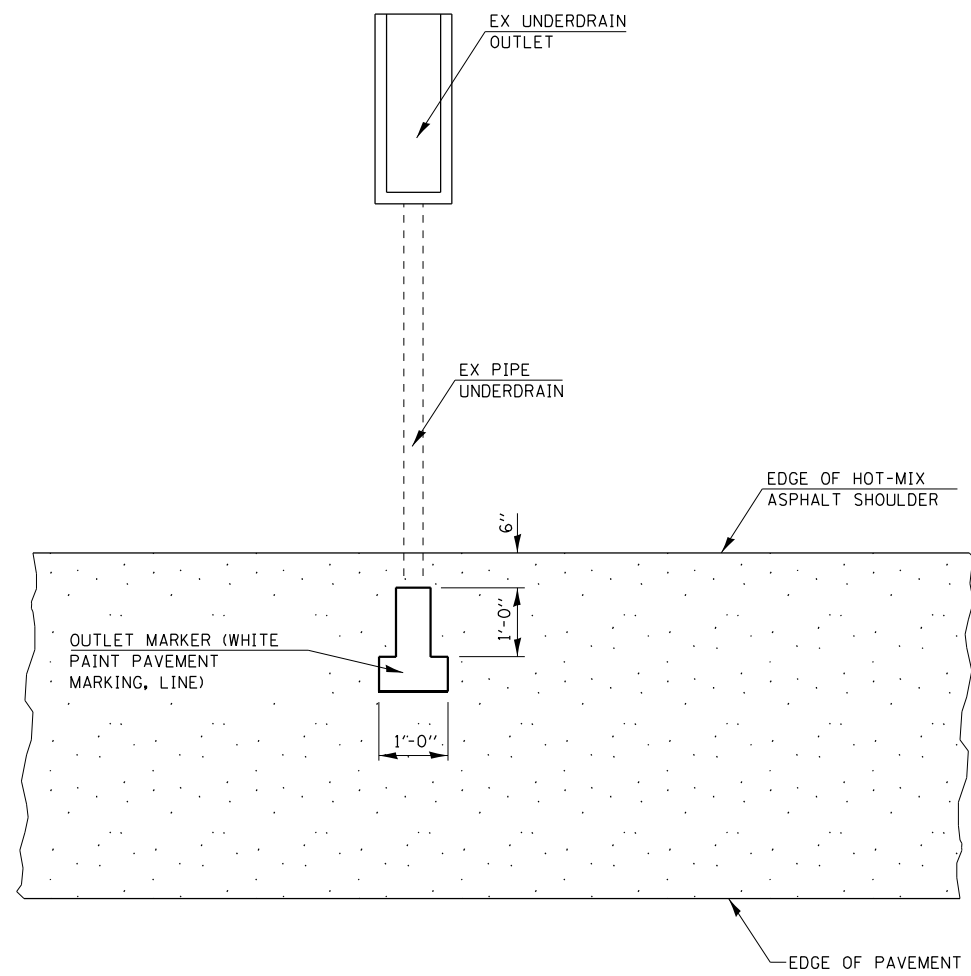
USER NAME = andrew.cisler	DESIGNED - _____	REVISED - _____
DRAWN - _____	REVISED - _____	
PLOT SCALE = 199.9999' / in.	CHECKED - _____	REVISED - _____
PLOT DATE = 10/12/2022	DATE - _____	REVISED - _____

**STATE OF ILLINOIS
 DEPARTMENT OF TRANSPORTATION**

PLAN SHEETS

SCALE: _____ SHEET 2 OF 3 SHEETS STA. 484+00 TO STA. 544+00

F.A.J. RTE.	SECTION	COUNTY	TOTAL SHEETS	SHEET NO.
55	(54-1) RS-4, Q	LOGAN	10	8
CONTRACT NO. 72G17				
ILLINOIS FED. AID PROJECT				



PLAN FOR UNDERDRAIN OUTLET MARKER

FILE NAME =	USER NAME = andrew.cisler	DESIGNED -	REVISED -
p:\dot-pw.bentley.com\PWIDOT\Documents\IDOT Offices\District 6\Projects\0672017\CDRAWINGS\0672017-sht-details.dgn		CHECKED -	REVISED -
	PLOT SCALE = 100.0000' / in.	DATE -	REVISED -
	PLOT DATE = 10/11/2022		

**STATE OF ILLINOIS
DEPARTMENT OF TRANSPORTATION**

**UNDERDRAIN OUTLET
MARKER DETAIL**

SCALE: SHEET NO. 1 OF 1 SHEETS STA. TO STA.

F.A.I. RTE.	SECTION	COUNTY	TOTAL SHEETS	SHEET NO.
55	(54-1) RS-4, Q	LOGAN	10	10
				CONTRACT NO. 72G17
ILLINOIS FED. AID PROJECT				