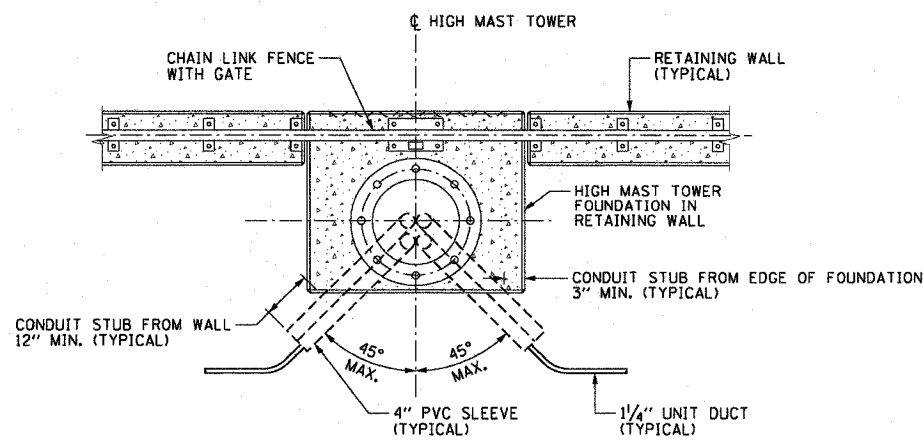


F.A.I. RTE.	SECTION	COUNTY	TOTAL SHEETS	SHEET NO.
90/94	2003-0311	COOK	976	45
STA.	TO STA.			
FED. ROAD DIST. NO. 1 ILLINOIS FED. AID PROJECT				

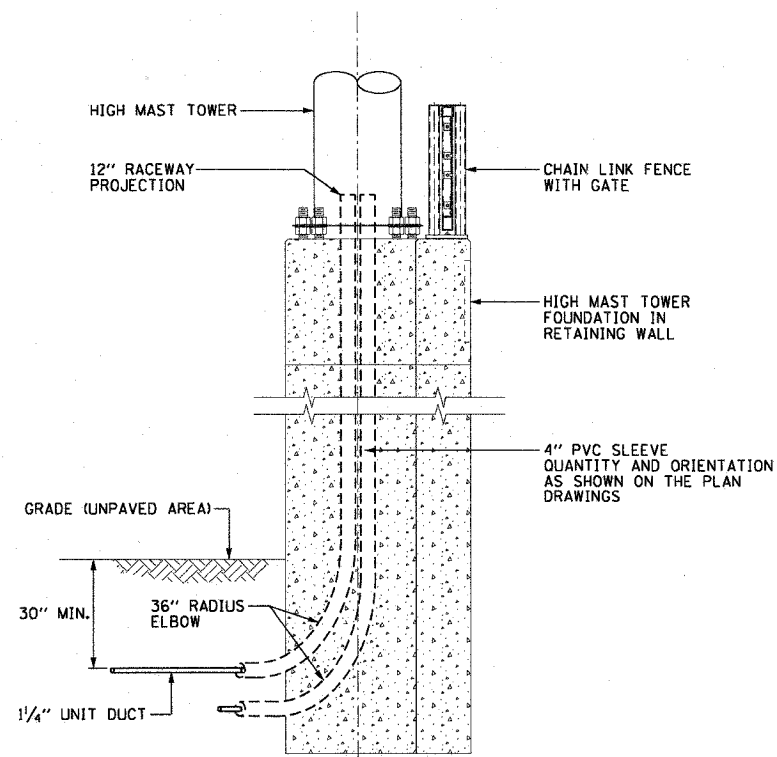
62583

**NOTES:**

1. SEE DRAWINGS ME-01 AND ME-02 FOR ELECTRICAL SYMBOLS AND ABBREVIATIONS.
2. SEE HIGH MAST TOWER FOUNDATION SCHEDULES FOR HIGH MAST LIGHT TOWER FOUNDATION LOCATIONS.

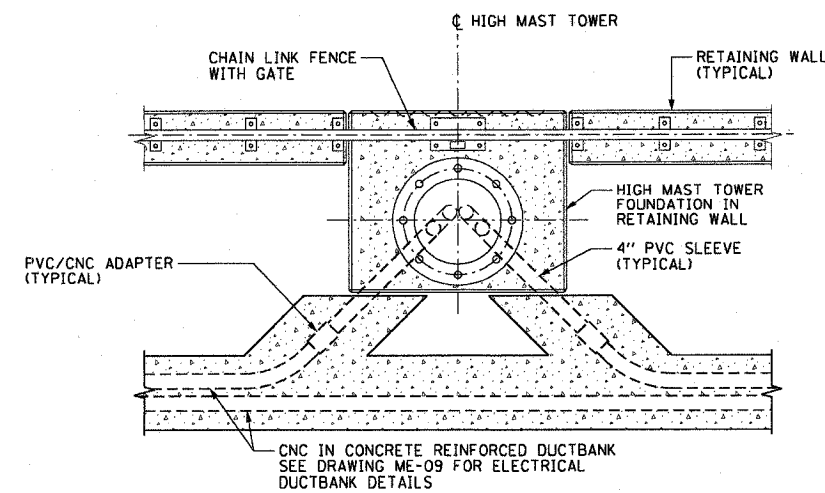


TOP VIEW

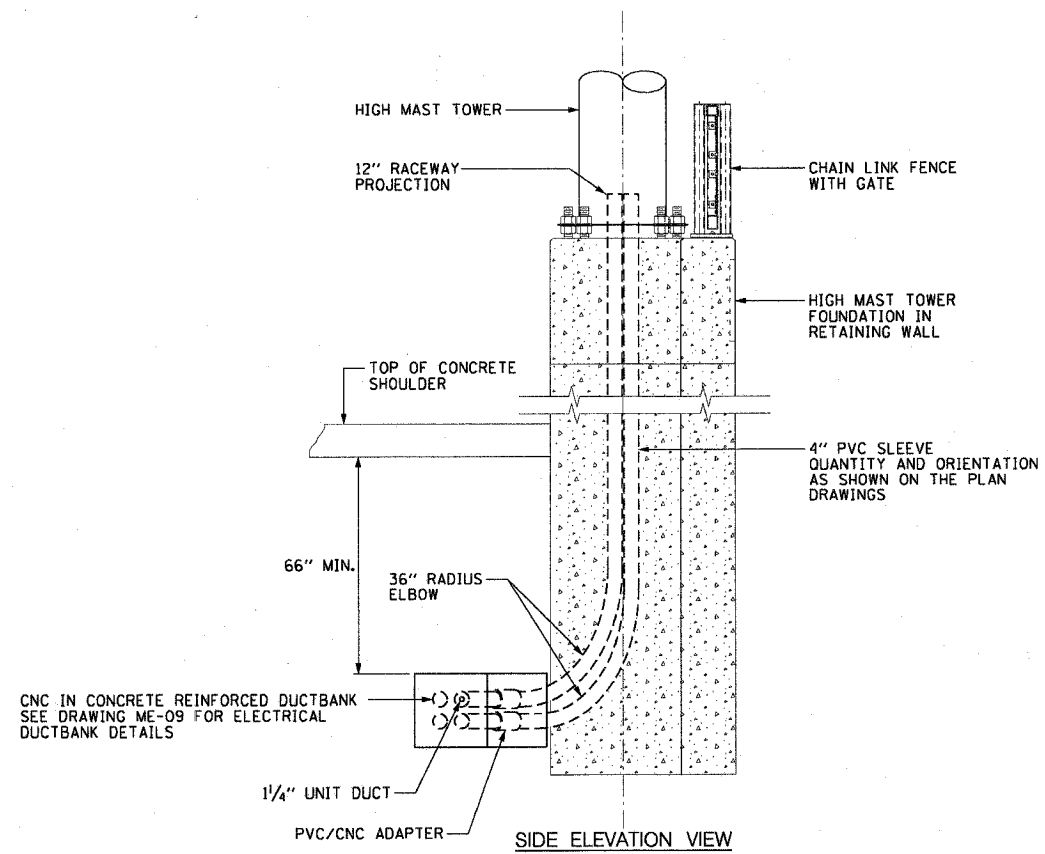


SIDE ELEVATION VIEW

TYPICAL CONDUIT INSTALLATION DETAIL FOR ROUTING UNIT DUCT IN GRADE TO FOUNDATION IN RETAINING WALL  
ME-03A  
NOT TO SCALE



TOP VIEW



SIDE ELEVATION VIEW

TYPICAL CONDUIT INSTALLATION DETAIL FOR ROUTING CONCRETE DUCTBANK UNDER PAVEMENT TO FOUNDATION IN RETAINING WALL  
ME-03B  
NOT TO SCALE

ME-03

REVISIONS	
NAME	DATE

ILLINOIS DEPARTMENT OF TRANSPORTATION  
F.A.I. 90/94 (DAN RYAN EXPRESSWAY)  
31st STREET TO I-57

CONDUIT INSTALLATION DETAILS FOR  
LIGHT TOWER FOUNDATIONS MOUNTED  
ON RETAINING WALLS

SCALE: NOT TO SCALE  
DATE: October 29, 2004  
DRAWN BY: CJM  
CHECKED BY: WDS

ms:\p\0466\elect\9-cnr\2b\5\1\contract\2\ms0203\24517