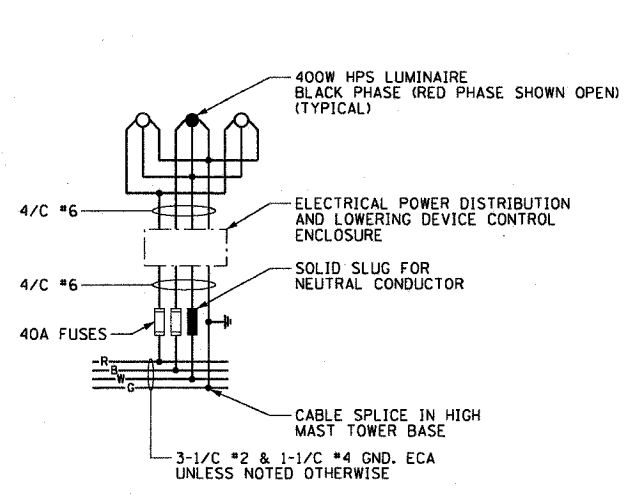


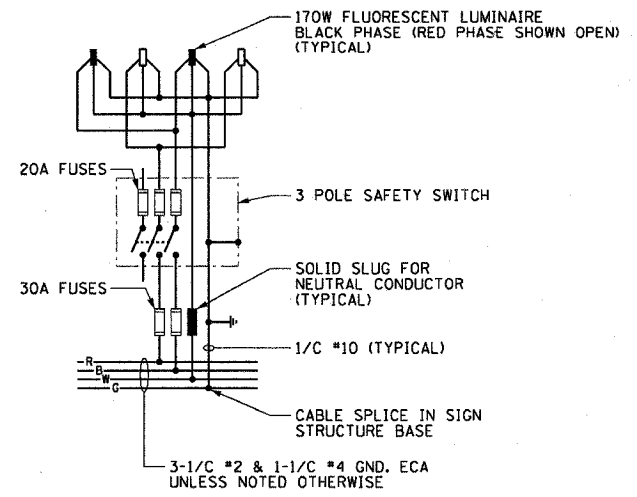
F.A.I. RTE.	SECTION	COUNTY	TOTAL SHEETS	SHEET NO.
90/94	2003-0311	COOK	976	52
STA.	TO STA.			
FED. ROAD DIST. NO. 1 ILLINOIS FED. AID PROJECT				

62583

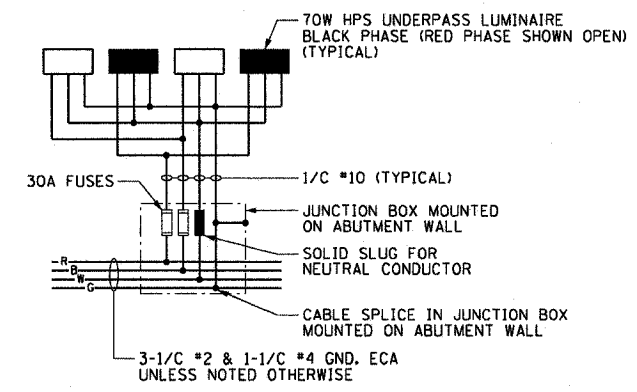
**NOTES:**  
 1. SEE DRAWING ME-01 AND ME-02 FOR ELECTRICAL SYMBOLS AND ABBREVIATIONS.



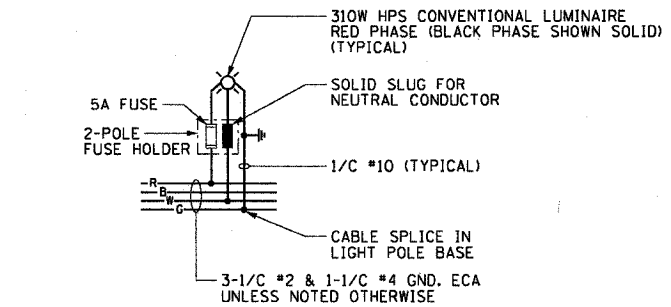
**TYPICAL HIGH MAST LIGHT TOWER WIRING DIAGRAM**  
 ME-12A NOT TO SCALE



**TYPICAL LIGHTED SIGN STRUCTURE WIRING DIAGRAM**  
 ME-12B NOT TO SCALE



**TYPICAL UNDERPASS LIGHTING UNIT WIRING DIAGRAM**  
 ME-12C NOT TO SCALE



**TYPICAL CONVENTIONAL LIGHTING UNIT WIRING DIAGRAM**  
 ME-12D NOT TO SCALE

REVISIONS	
NAME	DATE

10/17/2004 10:58:18 AM