

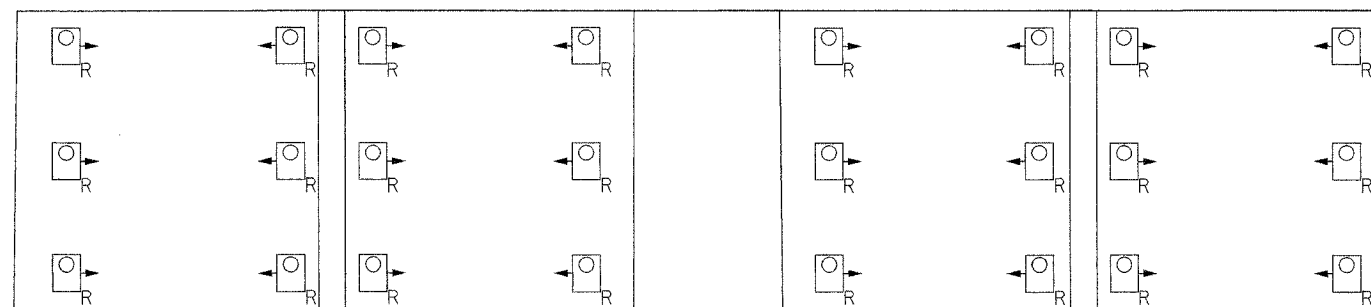
F.A.I. RTE.	SECTION	COUNTY	TOTAL SHEETS	SHEET NO.
94/90	2003-0311	COOK	976	394
STA.		TO STA.		
FED. ROAD DIST. NO.	ILLINOIS	FED. AID PROJECT		

62583



**NOTES:**

- SEE DRAWING ME-01 FOR ELECTRICAL SYMBOLS, ABBREVIATION, AND NOTES.
- LOCATIONS OF EXISTING ELECTRICAL EQUIPMENT SHOWN ON THIS DRAWING ARE APPROXIMATIONS AND MUST BE VERIFIED IN THE FIELD BY THE CONTRACTOR.
- SEE DRAWING ME-06 FOR SUSPENDED UNDERPASS LUMINAIRE MOUNTING AND CABLE & CONDUIT DETAILS.
- SEE DRAWING RLO8-46 FOR CONTINUATION OF UNDERPASS LIGHTING CIRCUIT FEEDS.
- ALL PROPOSED UNDERPASS LIGHTING UNITS SHOWN ON THIS DRAWING WILL BE FED FROM IDOT LIGHTING CONTROLLER "W". SEE DRAWING SLO8-02 FOR SINGLE LINE DIAGRAM FOR LIGHTING CONTROLLER "W".
- CONTRACTOR MUST REMOVE AND DISPOSE OF ALL EXISTING CABLE, CONDUIT, JUNCTION BOXES, AND ALL MOUNTING HARDWARE ASSOCIATED WITH THE EXISTING UNDERPASS LIGHTING.
- SPLICE THE NEW UNDERPASS LIGHTING CIRCUITS OVER THE EXPRESS LANES TO THE EXISTING UNDERPASS LIGHTING CIRCUITS OVER THE LOCAL LANES DURING 2006.
- THE CONTRACTOR IS RESPONSIBLE FOR THE MAINTENANCE OF THE EXISTING LIGHTING SYSTEM SHOWN ON THIS DRAWING. THE EXISTING ELECTRICAL POWER FEEDS MAY NOT BE REMOVED UNTIL SUCH TIME AS THE PROPOSED POWER FEEDS ARE INSTALLED. PROVIDE TEMPORARY POWER AS REQUIRED TO MAINTAIN THE EXISTING LIGHTING SYSTEM AND THE PROPOSED LIGHTING SYSTEM AT DIFFERENT STAGES.

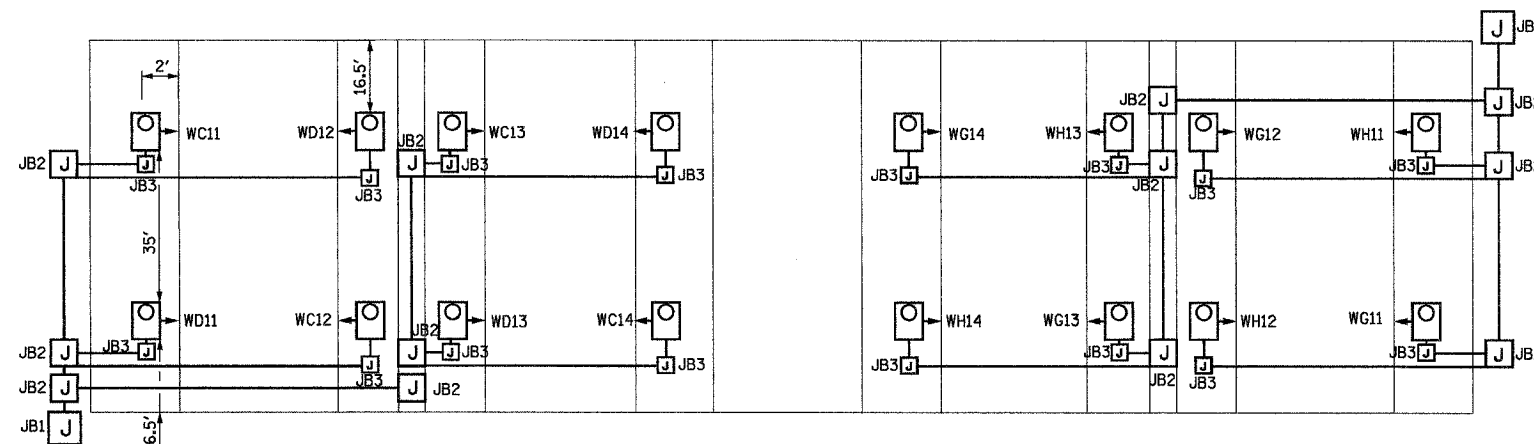


SB LOCAL LANES      SB EXPRESS LANES      CTA      NB EXPRESS LANES      NB LOCAL LANES

EXISTING UNDERPASS LIGHTING PLAN

JUNCTION BOX SCHEDULE		
NO.	SIZE	DESCRIPTION
JB1	12"x12"x6"	STAINLESS STEEL ATTACHED TO STRUCTURE
JB2	12"x10"x6"	STAINLESS STEEL ATTACHED TO ABUTMENT OR TOP OF PIER AS SHOWN
JB3	6"x6"x4"	STAINLESS STEEL ATTACHED TO ABUTMENT OR TOP OF PIER AS SHOWN

UNDERPASS LIGHTING BILL OF MATERIALS		
ITEM	UNIT	QUANTITY
CONDUIT ATTACHED TO STRUCTURE 1" DIA. GALVS. PVC COATED	FOOT	980
ELECTRIC CABLE IN CONDUIT, 600V EPR TYPE RHW 1/C*10	FOOT	3080
JUNCTION BOX, STAINLESS STEEL ATTACHED TO STRUCTURE 6"x6"x4"	EACH	16
JUNCTION BOX, STAINLESS STEEL ATTACHED TO STRUCTURE 12"x10"x6"	EACH	12
JUNCTION BOX, STAINLESS STEEL ATTACHED TO STRUCTURE 12"x12"x6"	EACH	2
REMOVE EXISTING UNDERPASS LUMINAIRE	EACH	24
UNDERPASS LUMINAIRE 70 WATT HIGH PRESSURE SODIUM VAPOR	EACH	16



SB LOCAL LANES      SB EXPRESS LANES      CTA      NB EXPRESS LANES      NB LOCAL LANES

FUTURE UNDERPASS LIGHTING PLAN

FOR INFORMATION ONLY

REVISIONS	
NAME	DATE

ILLINOIS DEPARTMENT OF TRANSPORTATION  
F.A.I. 94/90 (DAN RYAN EXPRESSWAY)  
31st STREET TO I-57

UNDERPASS LIGHTING PLAN  
33rd STREET

SCALE: NONE      DRAWN BY: BL  
DATE: OCTOBER 29, 2004      CHECKED BY: SM



KAM ENGINEERING, INC.  
CONSULTING ENGINEERS  
707A Davis Road, Suite 205  
Eglin, Illinois 60123-1369

10/16/2004 12:45:33 PM