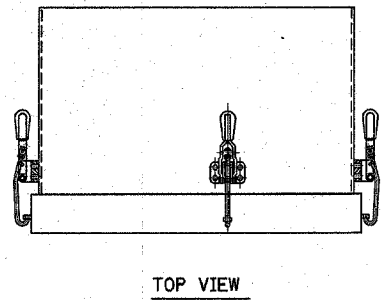
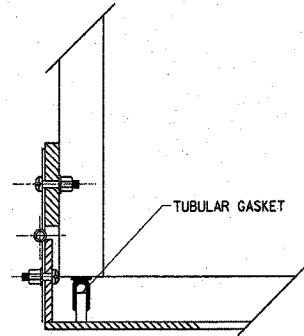


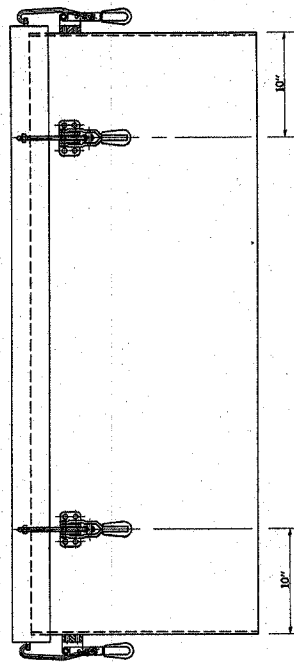
F.A. RTE.	SECTION	COUNTY	TOTAL SHEETS	SHEET NO.
10/14	2003-0917	COOK	976	402
STA.		TO STA.		
FED. ROAD DIST. NO.	ILLINOIS FED. AID PROJECT			
	62583			



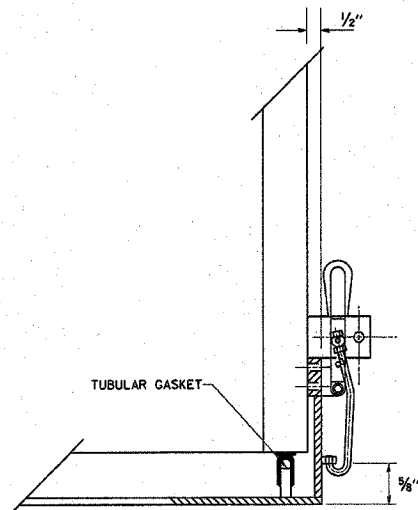
TOP VIEW



HINGE DETAIL

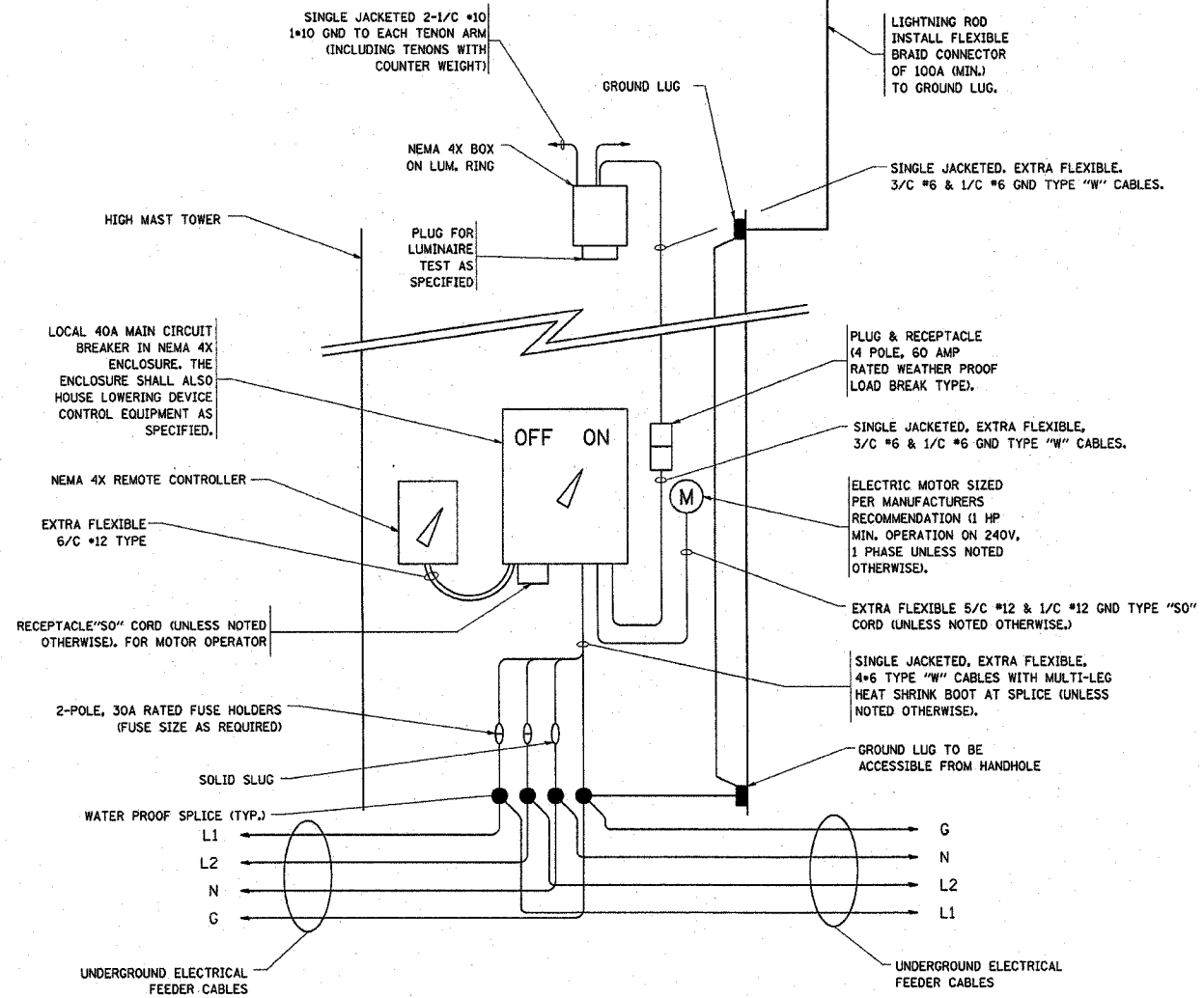


SIDE VIEW

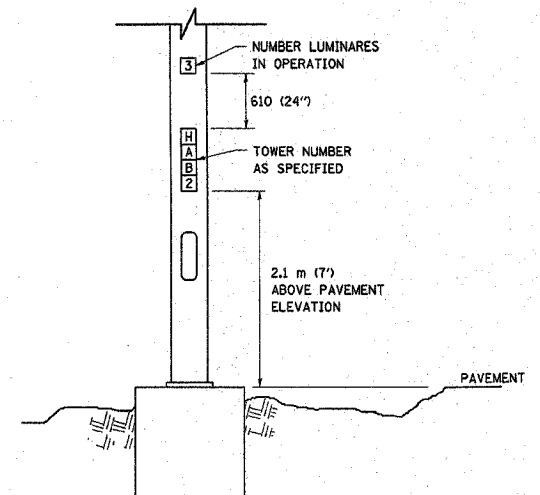


LATCH DETAIL

HANDHOLE DOOR DETAILS



HIGH MAST POLE WIRING DIAGRAM



LIGHT TOWER NUMBERING DETAIL

REVISIONS	
NAME	DATE

ILLINOIS DEPARTMENT OF TRANSPORTATION
HIGH MAST LIGHT TOWER
 27m TO 36m (90FT TO 120FT)
 SHEET 3 OF 3

SCALE: VERT. NONE
 HORIZ. DATE

DRAWN BY
 CHECKED BY