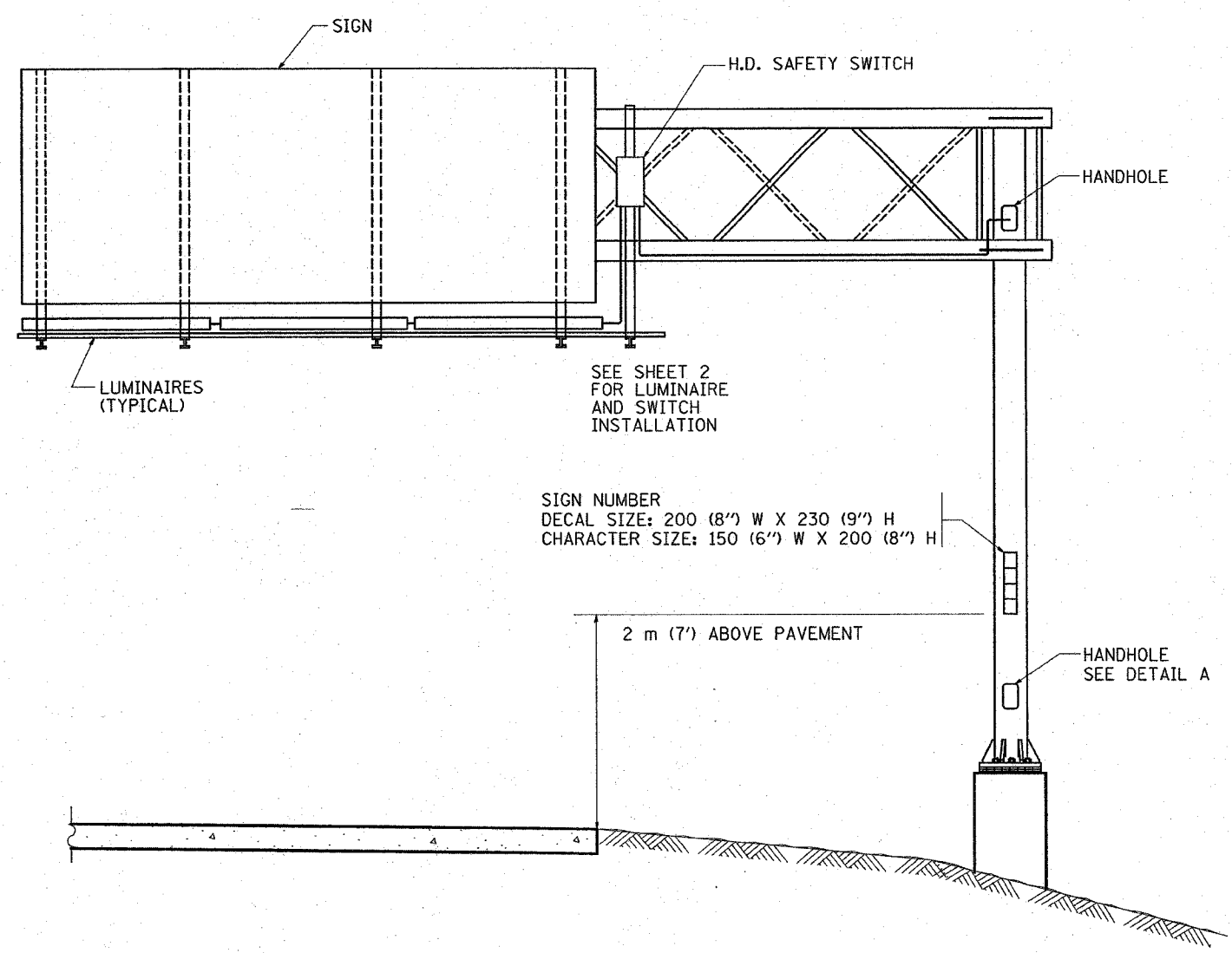
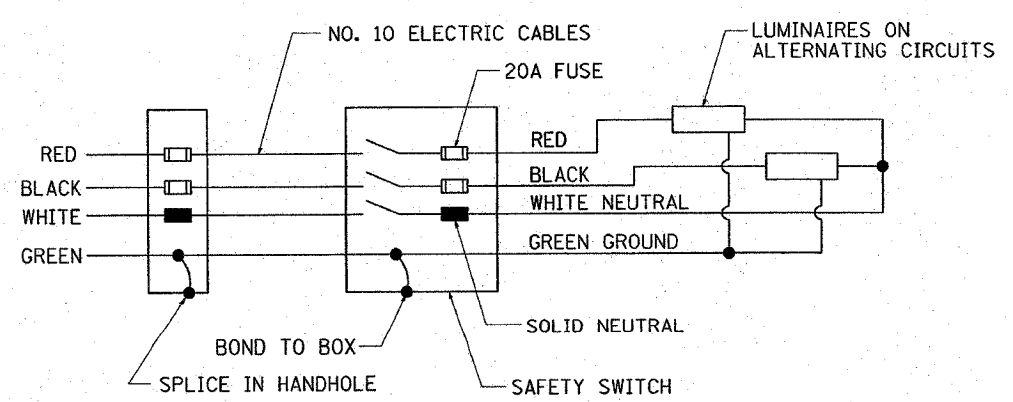


CONTRACT NO.:				
F.A. RTE.	SECTION	COUNTY	TOTAL SHEETS	SHEET NO.
101A	2003-0312	Cook	976	427
STA.		TO STA.		
FED. ROAD DIST. NO.		ILLINOIS FED. AID PROJECT		
CONTRACT NO. 42583				

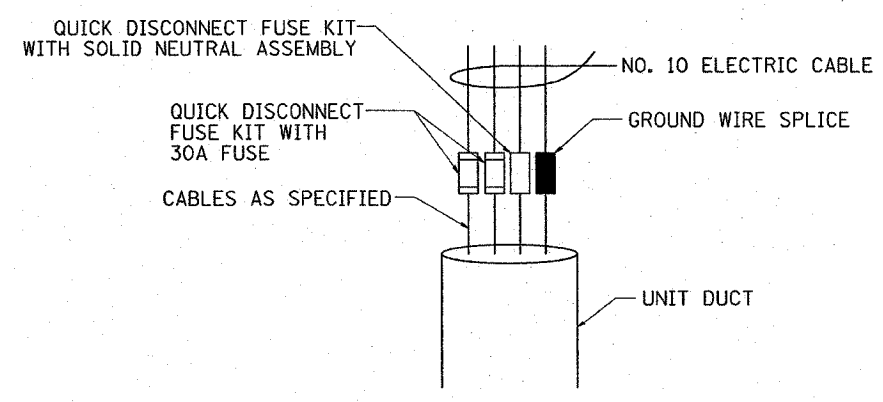


**NOTES:**

1. ALL DIMENSIONS ARE IN MILLIMETERS (INCHES) UNLESS OTHERWISE SHOWN
2. ALL CONDUIT ATTACHED TO STRUCTURE SHALL BE GALVANIZED RIGID METALLIC CONDUIT, PVC COATED (GRMC, PVC)
3. THE USE OF LIQUID TIGHT METAL CONDUIT (TYPE LFMC) SHALL BE LIMITED TO LOCATIONS WHERE MOVEMENT IS ANTICIPATED AND SHALL NOT EXCEED 1.5M (5') IN LENGTH
4. ALL WORK INDICATED SHALL BE INCLUDED IN THE PAY ITEM FOR ELECTRIC CONNECTION TO SIGN STRUCTURE



**WIRING DIAGRAM**



**DETAIL A**

REVISIONS	
NAME	DATE

ILLINOIS DEPARTMENT OF TRANSPORTATION

**ELECTRIC CONNECTION TO SIGN STRUCTURE CANTILEVER TYPE**

1 OF 2

SCALE: VERT. \_\_\_\_\_ HORIZ. \_\_\_\_\_ DATE \_\_\_\_\_

DRAWN BY \_\_\_\_\_ CHECKED BY \_\_\_\_\_

: 10:03:32 04/21/2004