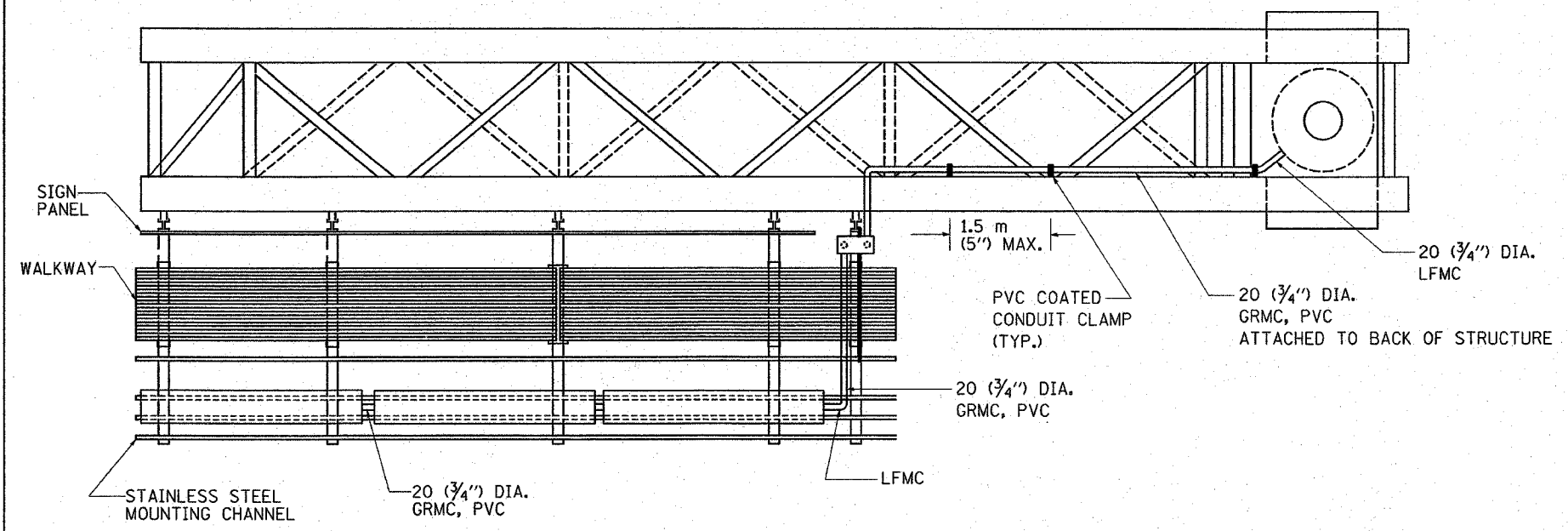
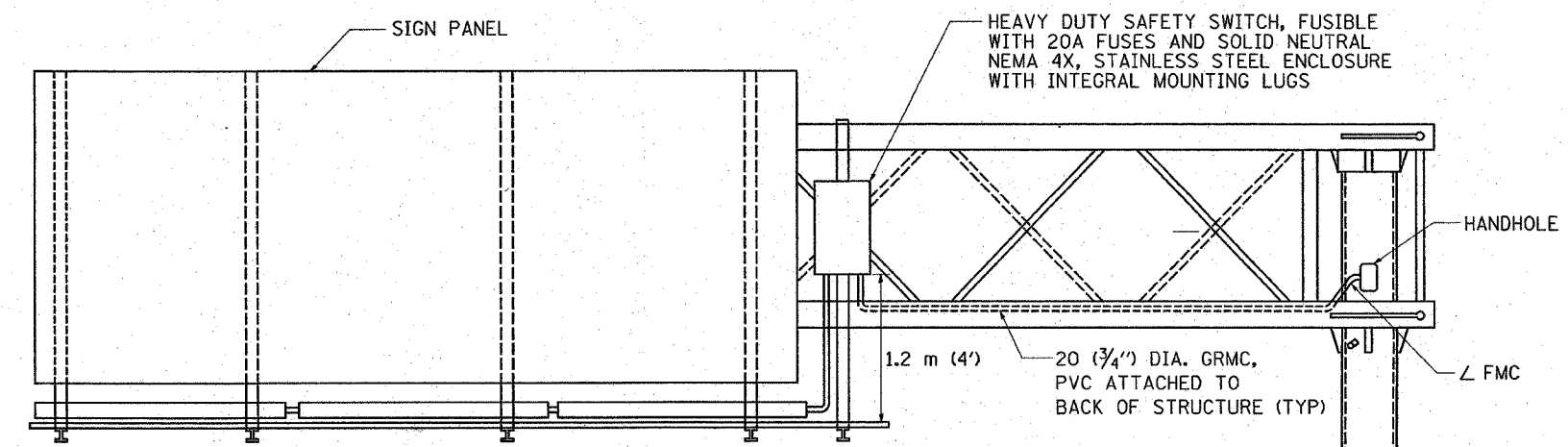
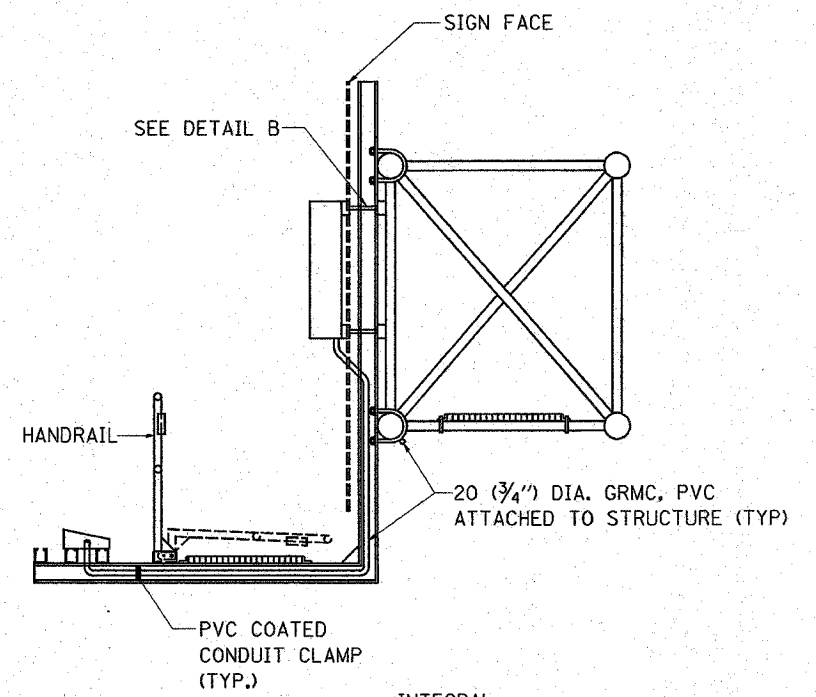


F.A. RTE.	SECTION	COUNTY	TOTAL SHEETS	SHEET NO.
9409	202-012	Cook	176	408
STA.		TO STA.		
FED. ROAD DIST. NO.		ILLINOIS FED. AID PROJECT		

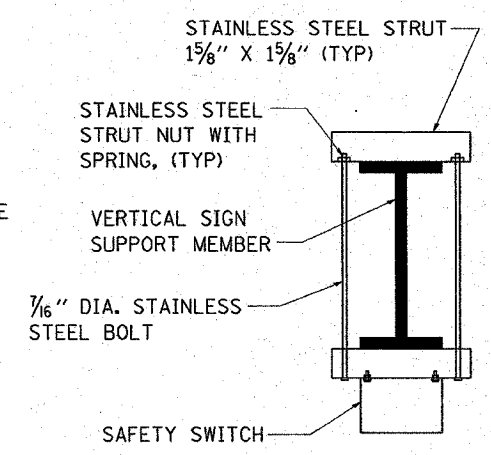
62583



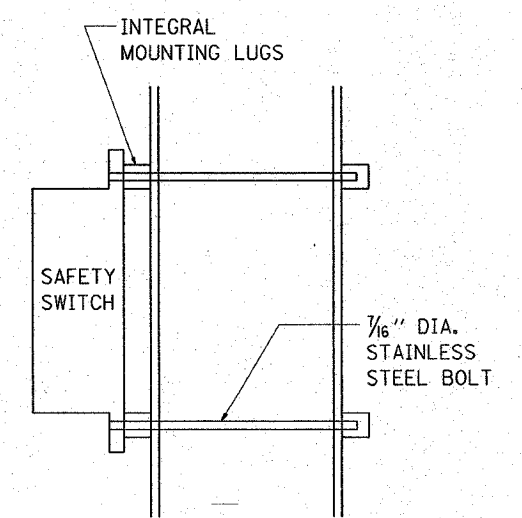
TOP VIEW



ELEVATION VIEW



TOP VIEW



SIDE VIEW

DETAIL B

REVISIONS	
NAME	DATE

ILLINOIS DEPARTMENT OF TRANSPORTATION
 ELECTRIC CONNECTION TO SIGN STRUCTURE
 CANTILEVER TYPE
 2 OF 2
 SCALE: VERT. DATE
 HORIZ. DATE
 DRAWN BY
 CHECKED BY

10:03:43 04/21/2004

04/21/2004
 c:\projects\elect\10a\2003\sign\gr.m32