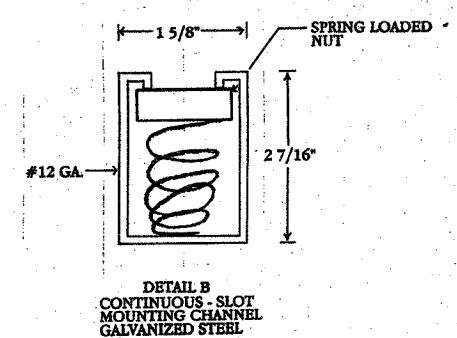
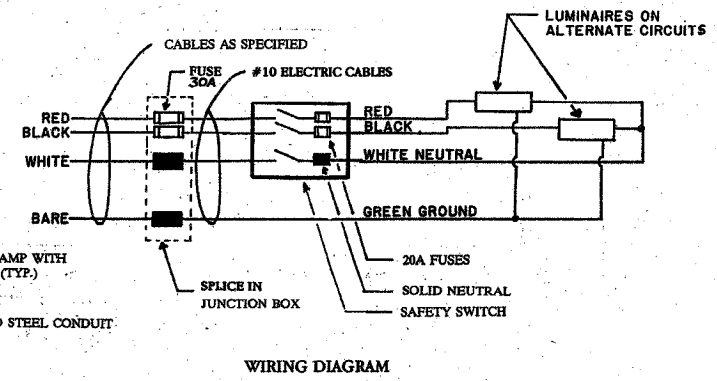
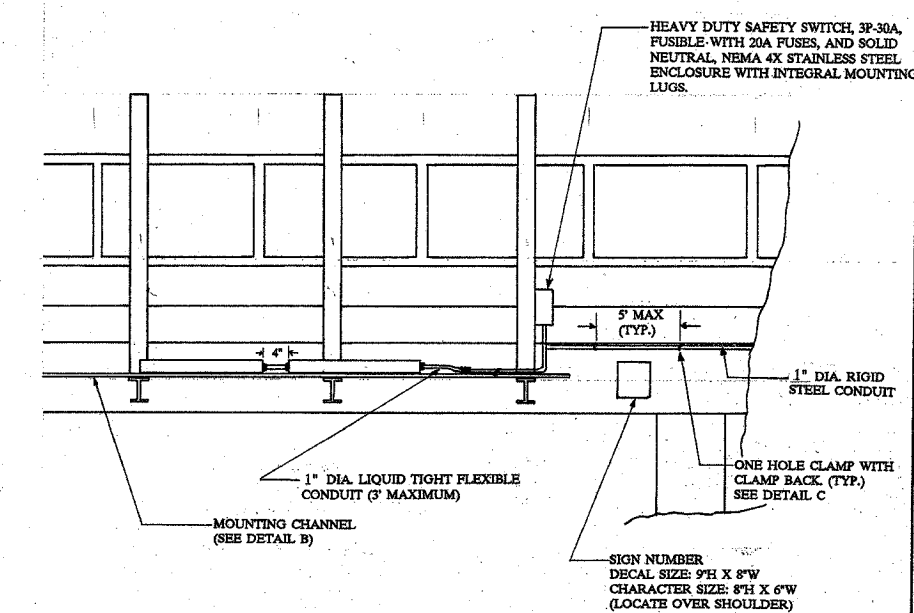
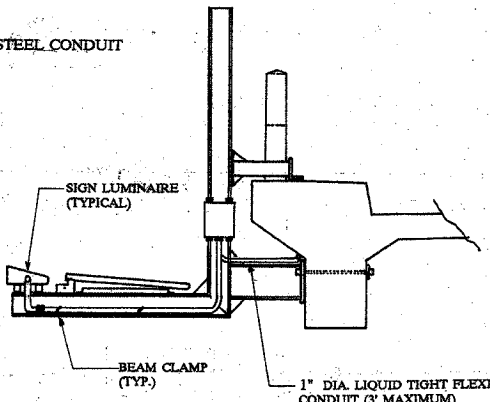
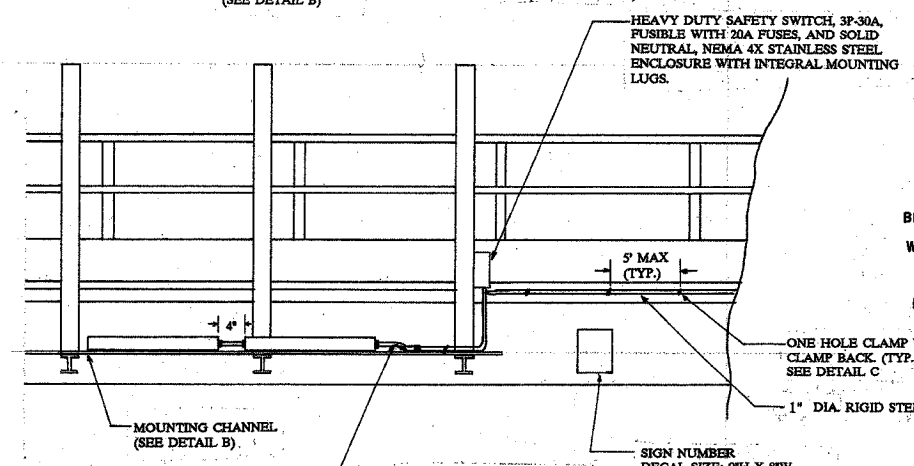
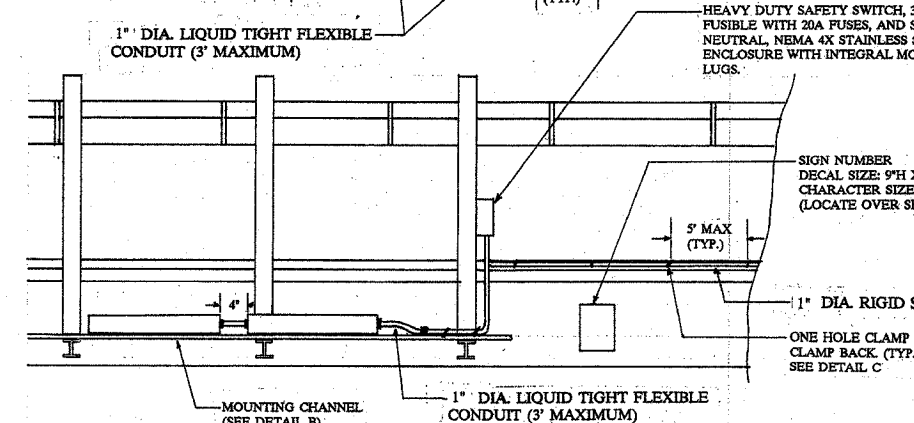
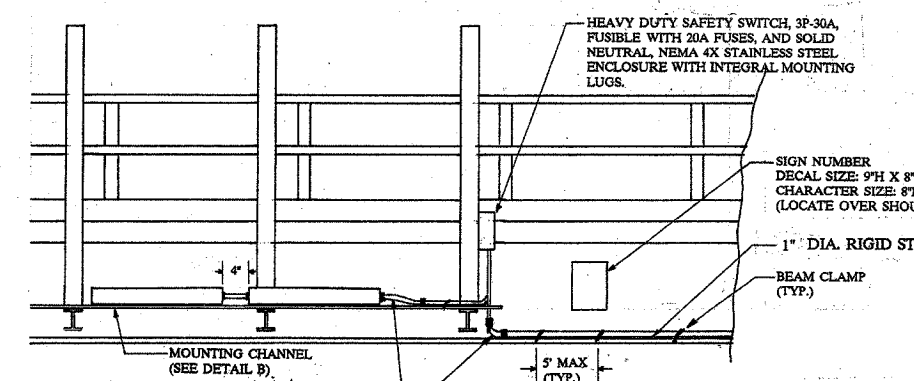
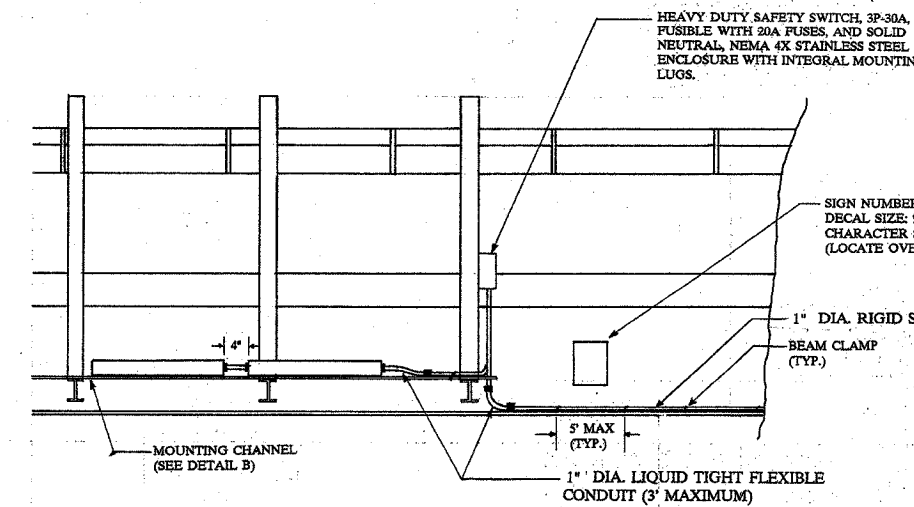
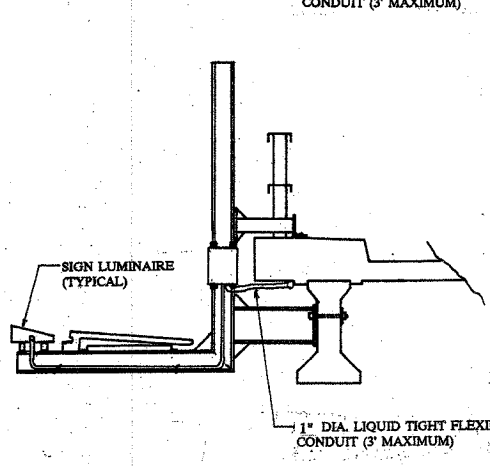
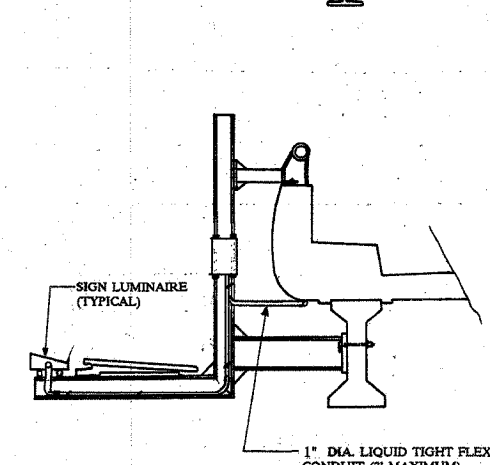
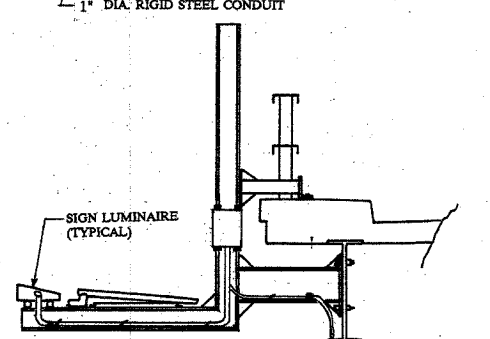
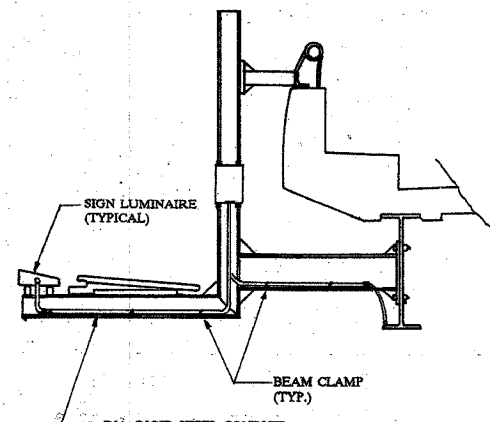


F. A. DIST.	SECTION	COUNTY	TOTAL SHEETS	SHEET NO.
1014203-091	COOK	COOK	476	409
STA.	TO STA.			
FED. ROAD DIST. NO. 7	ILLINOIS	FED. AID PROJECT		

62583



ILLINOIS DEPARTMENT OF TRANSPORTATION  
ELECTRICAL CONNECTION  
TO SIGN STRUCTURE  
(BRIDGE TYPE)

REVISIONS	
NAME	DATE

SCALE: VERT. HORIZ. DATE

DRAWN BY CHECKED BY