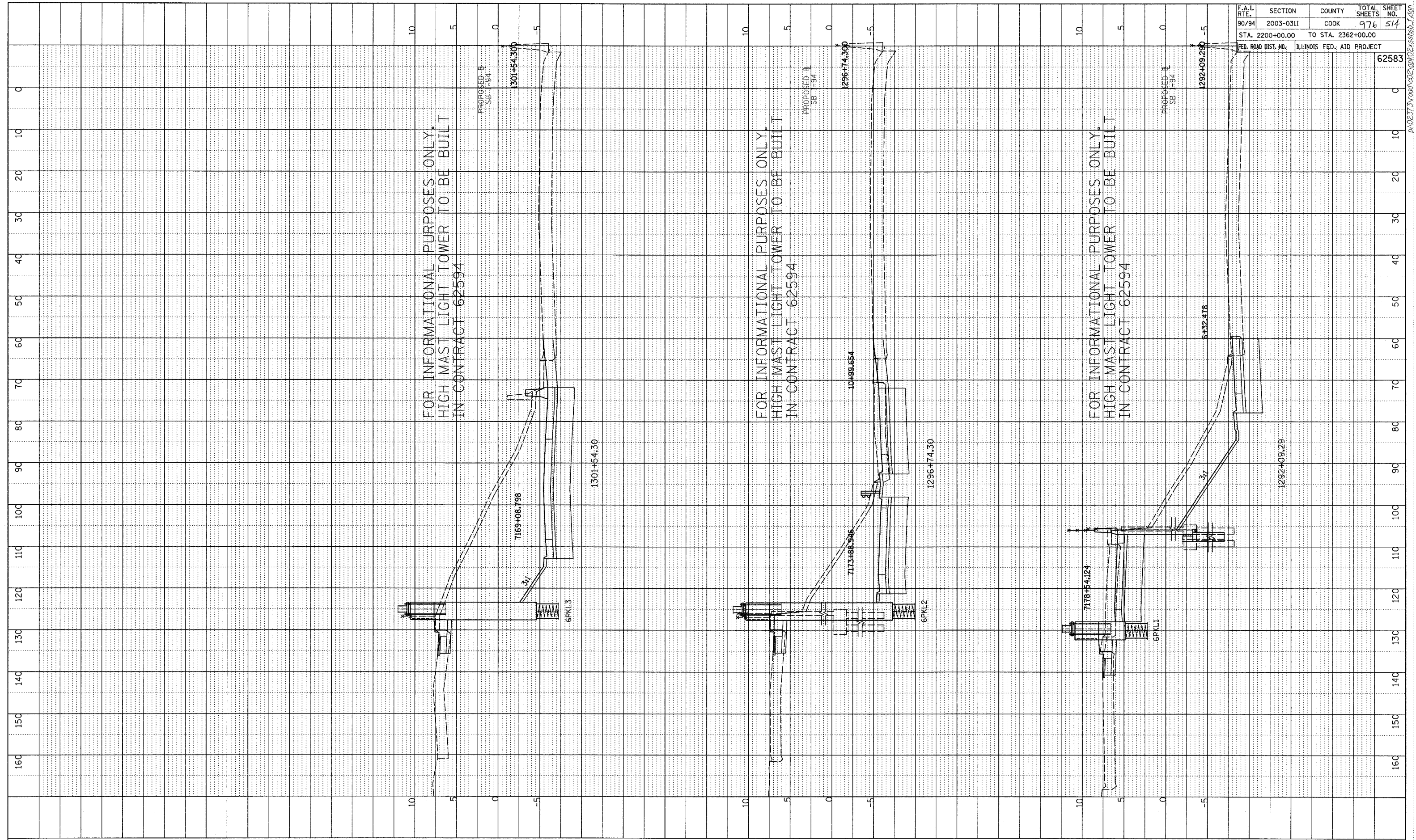
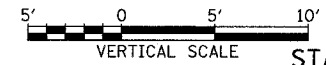


PROFILE SUBMITTED BY: TYLIN INTERNATIONAL  
 CHECKED BY: [Signature]  
 DATE: 10/15/03  
 PROJECT: SB I-94 (DAN RYAN EXPRESSWAY)  
 SHEET: 514 OF 976

F.A.I. RTE.	SECTION	COUNTY	TOTAL SHEETS	SHEET NO.
90/94	2003-0311	COOK	976	514
STA. 2200+00.00 TO STA. 2362+00.00		ILLINOIS FED. AID PROJECT		
				62583



TYLIN INTERNATIONAL



SB I-94 (DAN RYAN EXPRESSWAY)  
 STA. 1292+09.29 TO STA. 1301+54.30