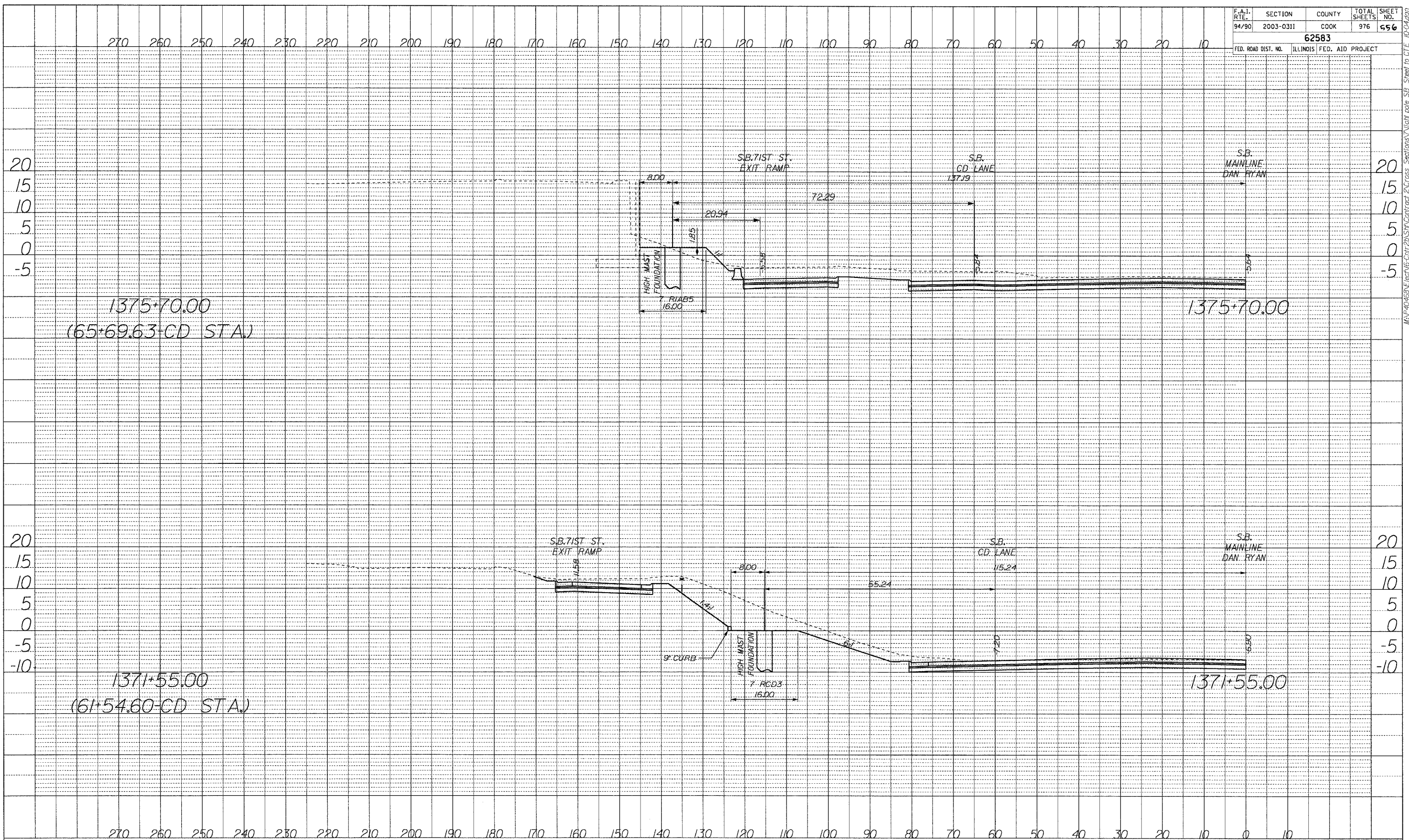


F.A.I. RTE.	SECTION	COUNTY	TOTAL SHEETS	SHEET NO.
94/90	2003-0311	COOK	976	556
62583				
FED. ROAD DIST. NO.	ILLINOIS	FED. AID PROJECT		



PROFILE	DATE
NO. 1	
NO. 2	
NO. 3	
NO. 4	
NO. 5	
NO. 6	
NO. 7	
NO. 8	
NO. 9	
NO. 10	

MAP 40463, E-mail: 6-Corr 28354 Contract 2-Cross Sections, Light pole SB, Sheet to CTE 10-04-09