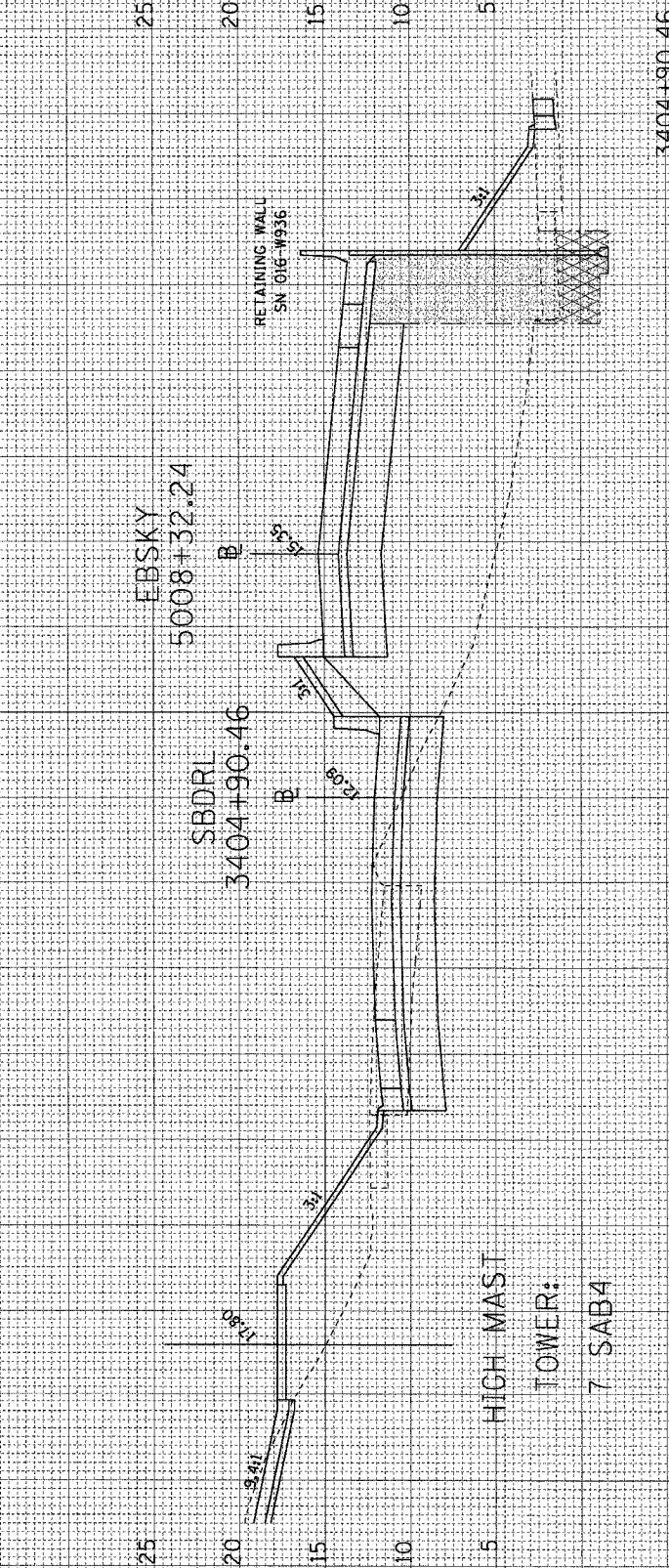
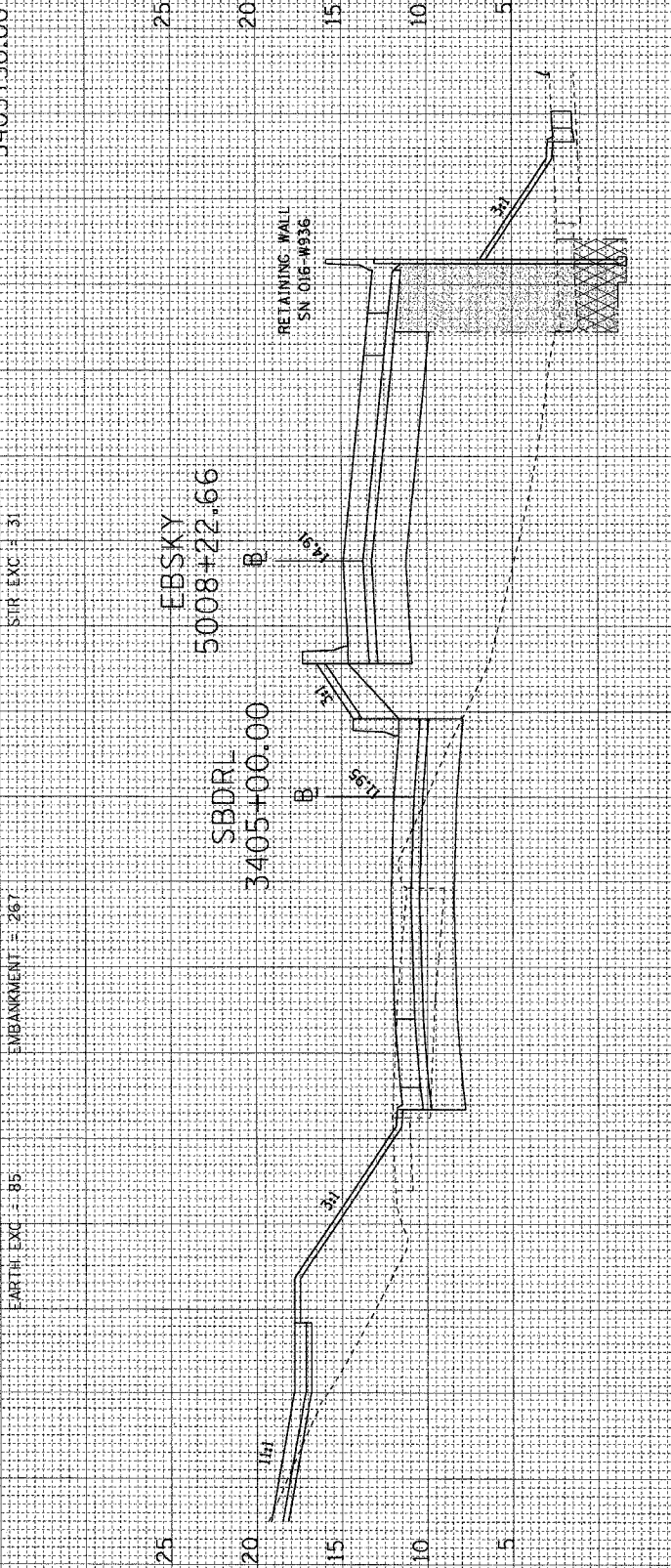
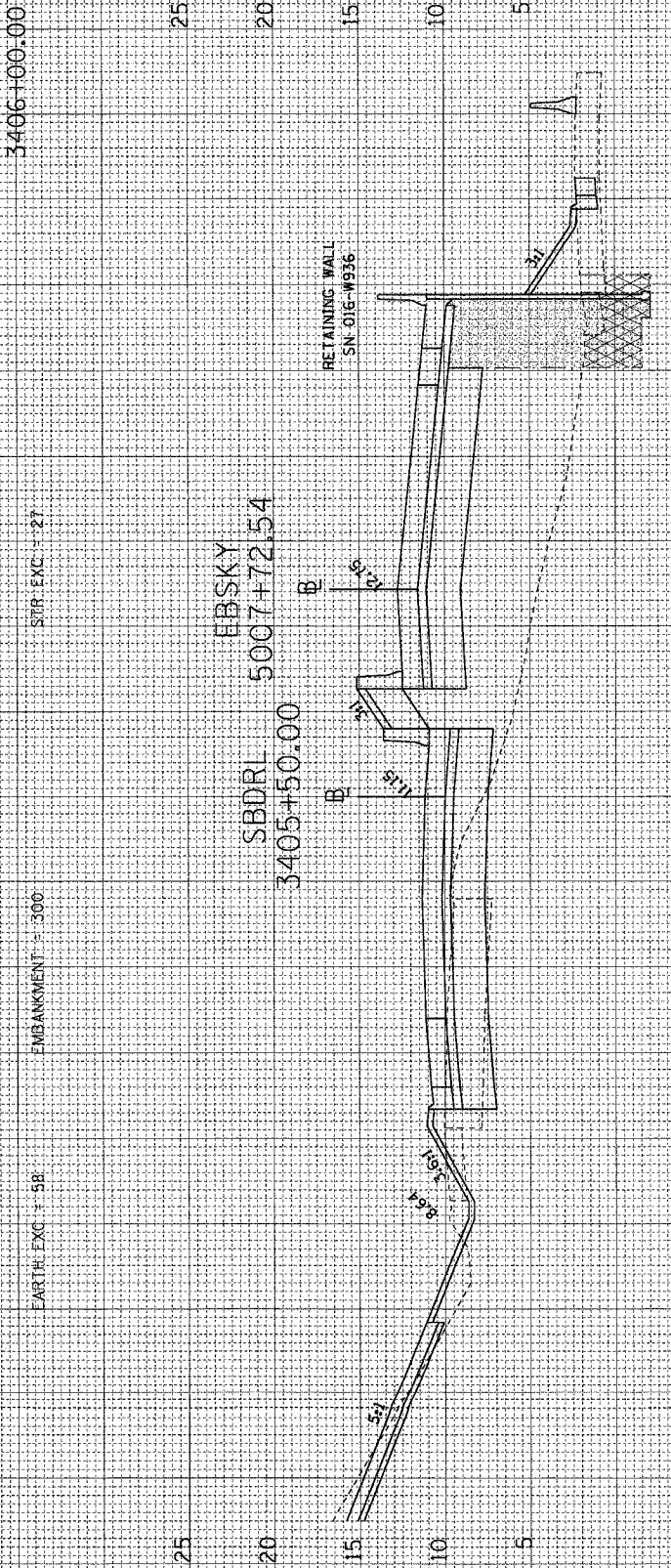
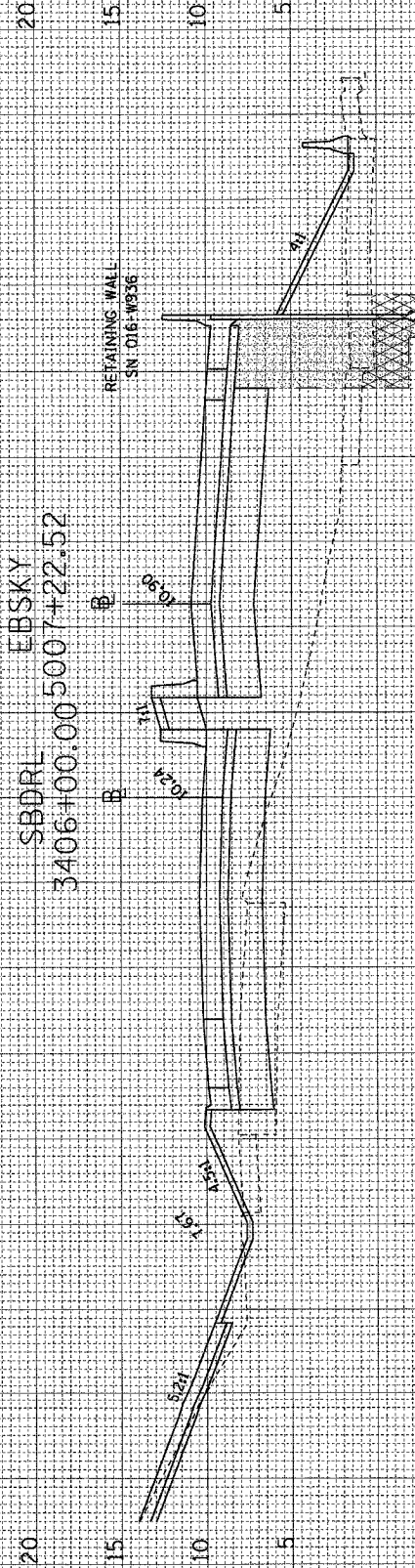


FINAL SURVEY BY DATE
 SURVEYED BY DATE
 NOTE BOOK NO. DATE
 PLOTTED BY DATE
 AREAS CHECKED

ORIGINAL SURVEY BY DATE
 SURVEYED BY DATE
 NOTE BOOK NO. DATE
 PLOTTED BY DATE
 AREAS CHECKED

F.A.I. RTE.	SECTION	COUNTY	TOTAL SHEETS	SHEET NO.
90/94	2003-0311	COOK	976	564
62583				
FED. ROAD DIST. NO. 1 ILLINOIS FED. AID PROJECT				



HIGH MAST
 TOWER:
 7 SABA

10/20/2004 02:06:57 PM M:\P4065\Lea\NB-CH12\25\W\Contract\2\Cross Sections\elec_sbl\62583-1.dwg