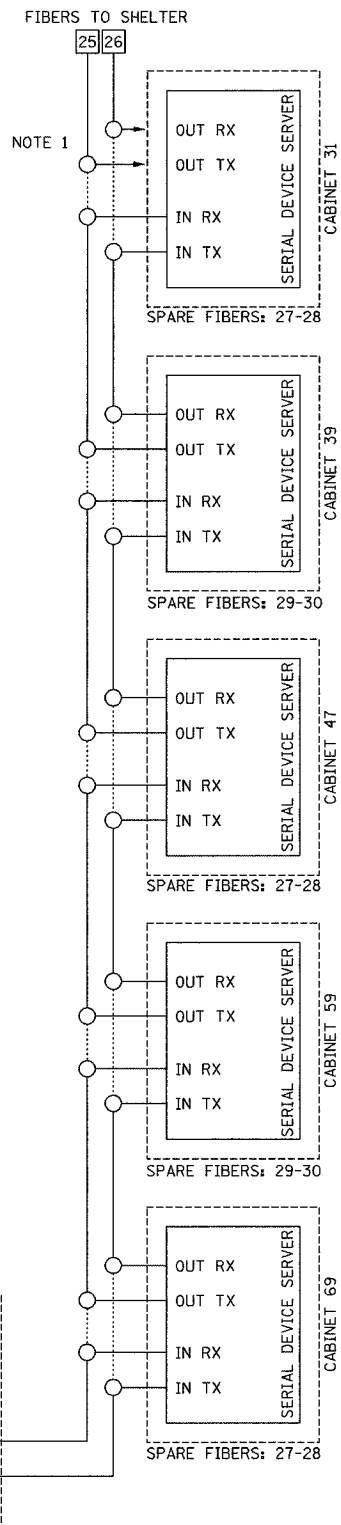
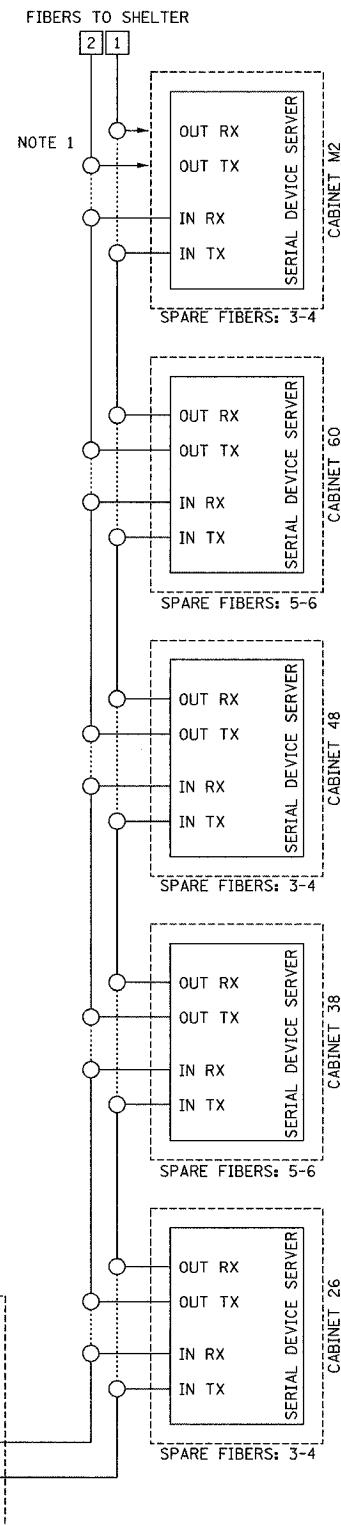


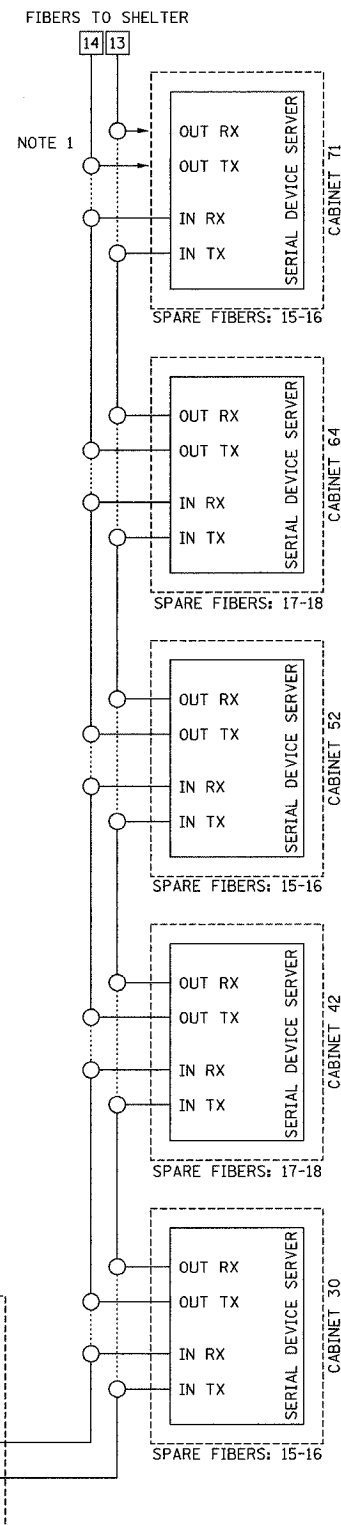
SECTION	COUNTY	TOTAL SHEETS	SHEET NO.
2003-0311	COOK	976	826
STA. TO STA.		FED. AID PROJECT	
62583		ILLINOIS	



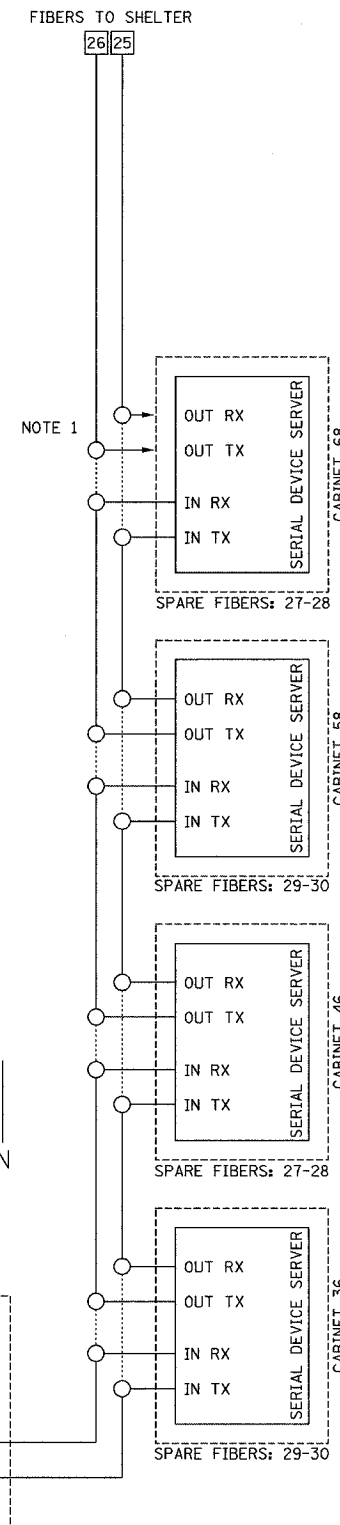
**CIRCUIT DR-R04-SURV-09**  
FIVE SERIAL DEVICE SERVERS



**CIRCUIT DR-R01-SURV-02**  
FIVE SERIAL DEVICE SERVERS



**CIRCUIT DR-R01-SURV-06**  
FIVE SERIAL DEVICE SERVERS



**CIRCUIT DR-R01-SURV-10**  
FOUR SERIAL DEVICE SERVERS

DESIGNATION	SHELTER
R01	I-55 SHELTER
R02	IDOT MAINTENANCE YARD SHELTER
R03	EAST SKYWAY SHELTER
R04	EXISTING I-57 SHELTER

- NOTES:**
1. FIBERS IN PIGTAIL ARE SPLICED TO MAINLINE FIBERS BUT ARE NOT CONNECTED TO EQUIPMENT.
  2. THIS SHEET PROVIDES AN OVERVIEW OF THE SURVEILLANCE SYSTEM. FOR LOCATIONS OF EQUIPMENT INSTALLATION, SEE SHEETS DET-01 THRU DET-47.
  3. CONNECTIONS BETWEEN EQUIPMENT IS BY FIBER OPTIC CABLE INSTALLED UNDER THIS CONTRACT. SEE SHEETS COMM-01 THRU COMM-51 FOR FIBER INSTALLATION PLANS.

REVISIONS	
NAME	DATE

ILLINOIS DEPARTMENT OF TRANSPORTATION  
F.A.I. 94/90 (DAN RYAN EXPRESSWAY)  
31st STREET to I-57

SURVEILLANCE SYSTEM DIAGRAMS  
(SHEET 2 OF 3)

SCALE: NOT TO SCALE  
DATE: October 29, 2004

DRAWN BY: DHI  
CHECKED BY: JEZ



11/22/2004 03:49:13 PM