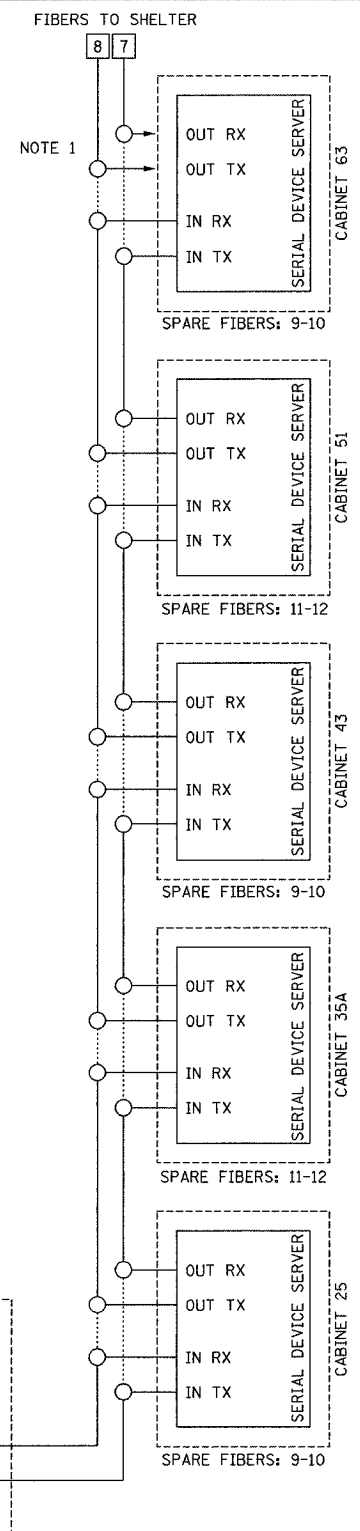
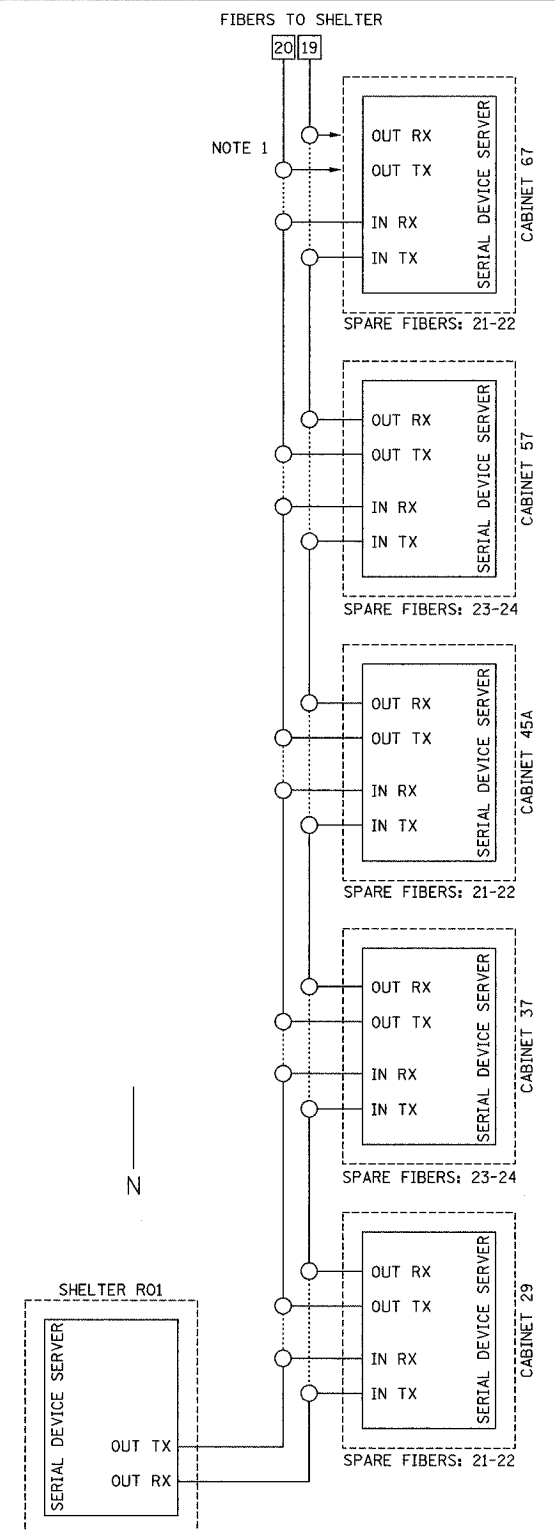


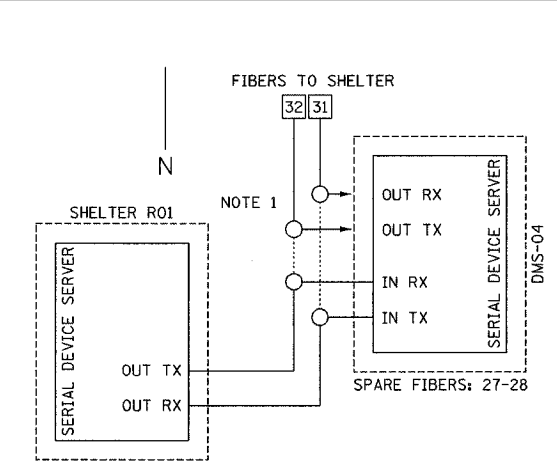
SECTION	COUNTY	TOTAL SHEETS	SHEET NO.
2003-0311	COOK	976	827
STA. TO STA.		FED. ROAD DIST. NO.	
62583		ILLINOIS FED. AID PROJECT	



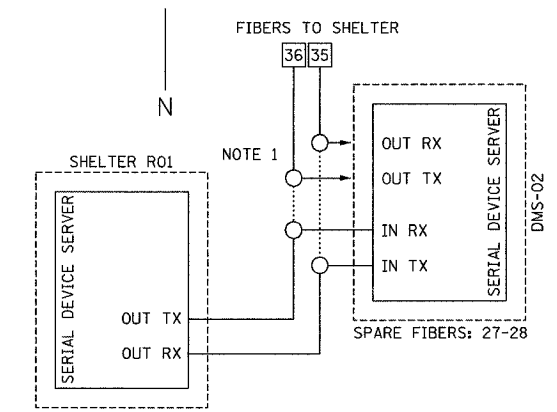
CIRCUIT DR-R01-SURV-03
FIVE SERIAL DEVICE SERVERS



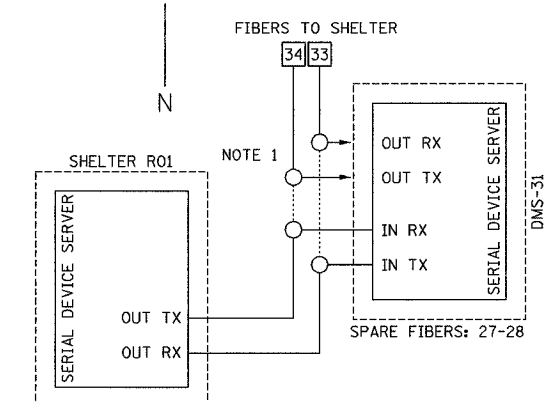
CIRCUIT DR-R01-SURV-07
FIVE SERIAL DEVICE SERVERS



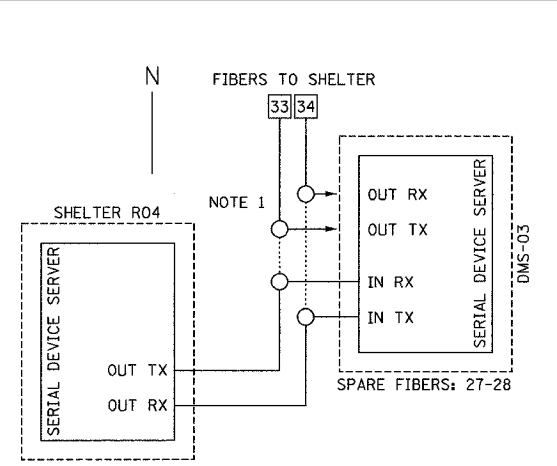
CIRCUIT DR-R01-DMS-02
ONE SERIAL DEVICE SERVER



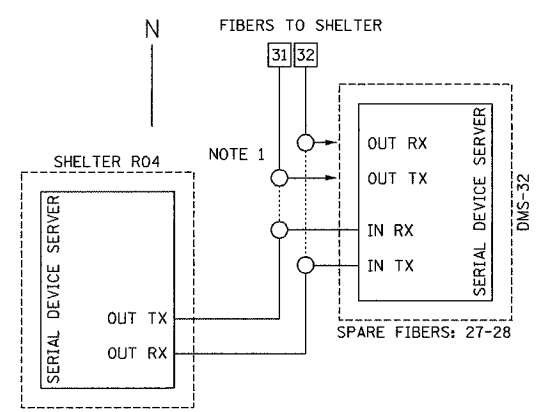
CIRCUIT DR-R01-DMS-06
ONE SERIAL DEVICE SERVER



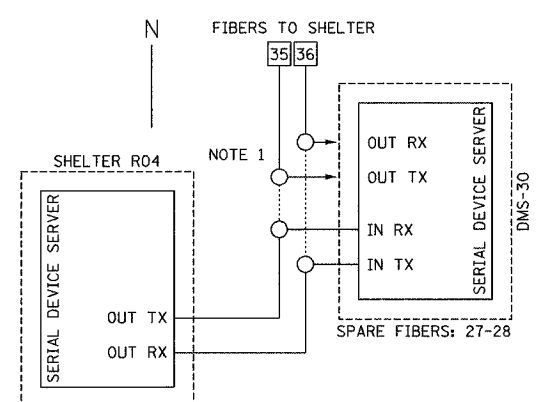
CIRCUIT DR-R01-DMS-03
ONE SERIAL DEVICE SERVER



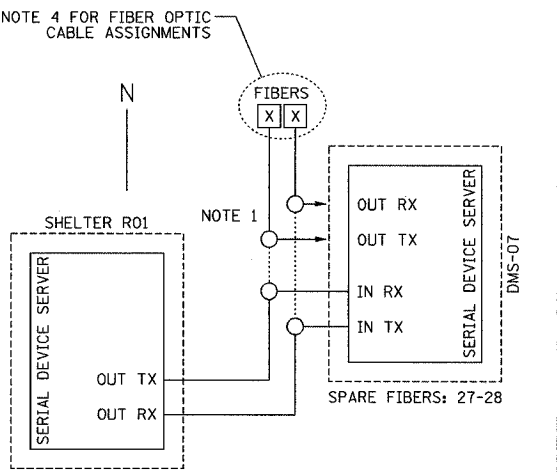
CIRCUIT DR-R04-DMS-04
ONE SERIAL DEVICE SERVER



CIRCUIT DR-R04-DMS-01
ONE SERIAL DEVICE SERVER



CIRCUIT DR-R04-DMS-05
ONE SERIAL DEVICE SERVER



CIRCUIT DR-R01-DMS-07
ONE SERIAL DEVICE SERVER

- NOTES:**
1. FIBERS IN PIGTAIL ARE SPliced TO MAINLINE FIBERS BUT ARE NOT CONNECTED TO EQUIPMENT.
 2. THIS SHEET PROVIDES AN OVERVIEW OF THE SURVEILLANCE SYSTEM. FOR LOCATIONS OF EQUIPMENT INSTALLATION, SEE SHEETS DET-01 THRU DET-47.
 3. CONNECTIONS BETWEEN EQUIPMENT IS BY FIBER OPTIC CABLE INSTALLED UNDER THIS CONTRACT. SEE SHEETS COMM-01 THRU COMM-51 FOR FIBER INSTALLATION PLANS.
 4. CONTRACTOR SHALL SPLICE PIGTAIL FIBERS TO EXISTING DAN RYAN 96 FIBER CABLE IN BARRIER WALL. CONTRACTOR SHALL COORDINATE WITH ENGINEER FOR FIBER OPTIC CABLE SPLICING ASSIGNMENTS. SEE SHEET COMM-52 FOR SITE PLAN DETAILS.

DESIGNATION	SHELTER
R01	I-55 SHELTER
R02	IDOT MAINTENANCE YARD SHELTER
R03	EAST SKYWAY SHELTER
R04	EXISTING I-57 SHELTER

COMM-61

REVISIONS	
NAME	DATE

ILLINOIS DEPARTMENT OF TRANSPORTATION
F.A.I. 94/90 (DAN RYAN EXPRESSWAY)
31st STREET to I-57

SURVEILLANCE SYSTEM DIAGRAMS
(SHEET 3 OF 3)

SCALE: NOT TO SCALE
DATE: October 29, 2004

DRAWN BY: DHI
CHECKED BY: JEZ



11/22/2004 03:59:13 PM