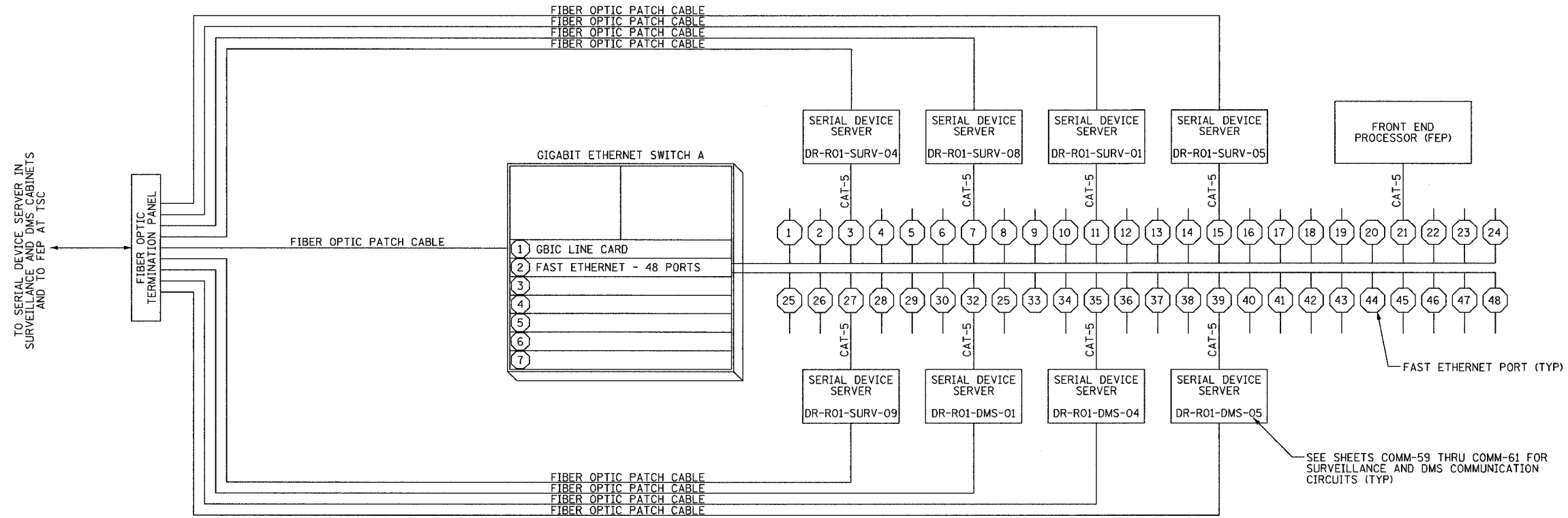


F.A.I. RTE.	SECTION	COUNTY	TOTAL SHEETS	SHEET NO.
94/90	2003-0311	COOK	976	839
STA.		TO STA.		
FED. ROAD DIST. NO.	ILLINOIS	FED. AID PROJECT		
62583				



NOTES:  
 1. FOR FIBER OPTIC CABLE PATCHING AND TERMINATION DETAILS, SEE SHEETS COMM-110 THRU COMM-113.

REVISIONS	
NAME	DATE

ILLINOIS DEPARTMENT OF TRANSPORTATION  
 F.A.I. 94/90 (DAN RYAN EXPRESSWAY)  
 31st STREET to I-57  
 I-57 SHELTER (R04)  
 TRAFFIC SURVEILLANCE SYSTEM  
 SCALE: NOT TO SCALE  
 DATE: October 29, 2004  
 DRAWN BY: DHI  
 CHECKED BY: JEZ

**Edwards AND Kelcey**  
 ONE NORTH FRANKLIN  
 CHICAGO, IL 60606  
 PHONE: (312) 251-3000  
 FAX: (312) 251-3015  
 WEB: WWW.EKCORP.COM

COMM-73

11/23/2004 12:59:33 PM