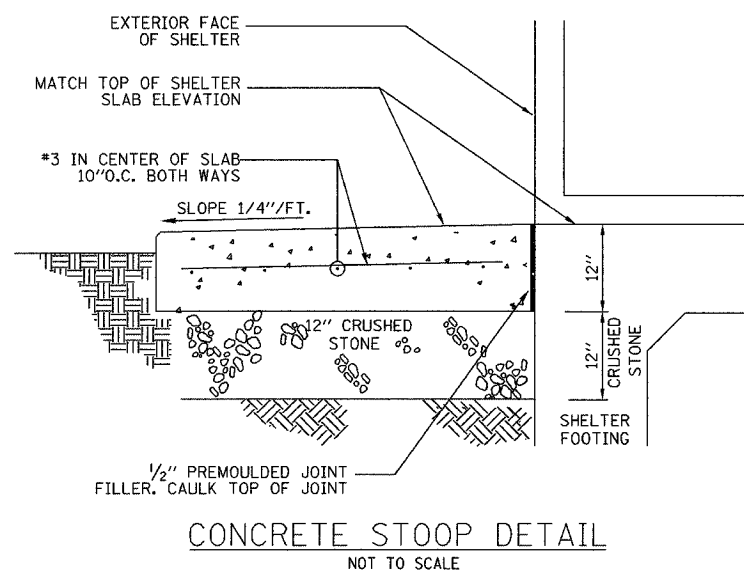
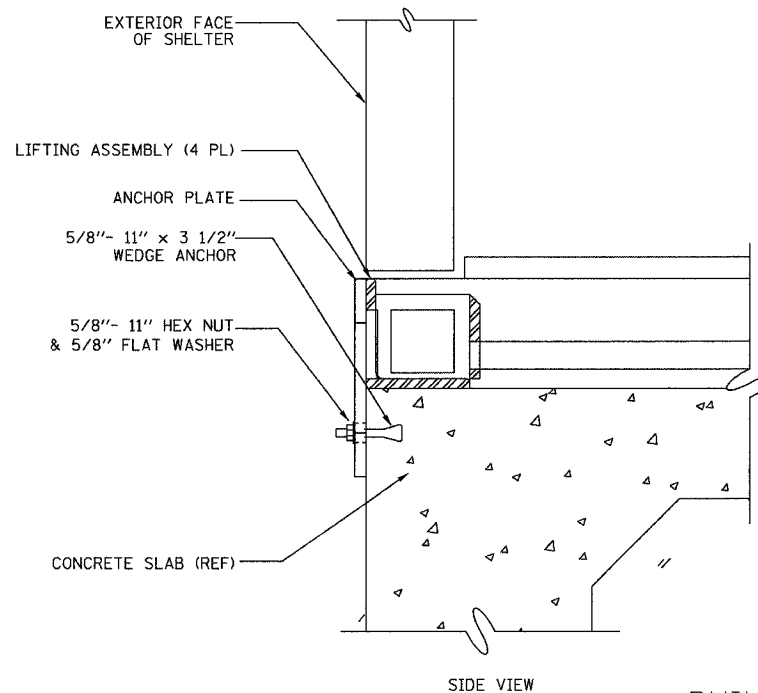


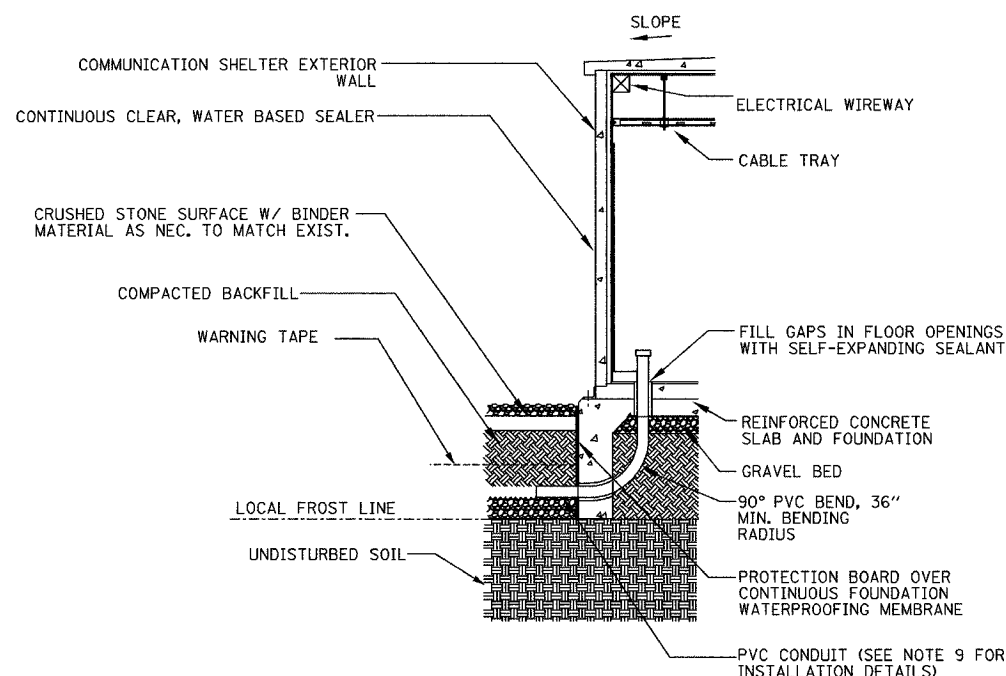
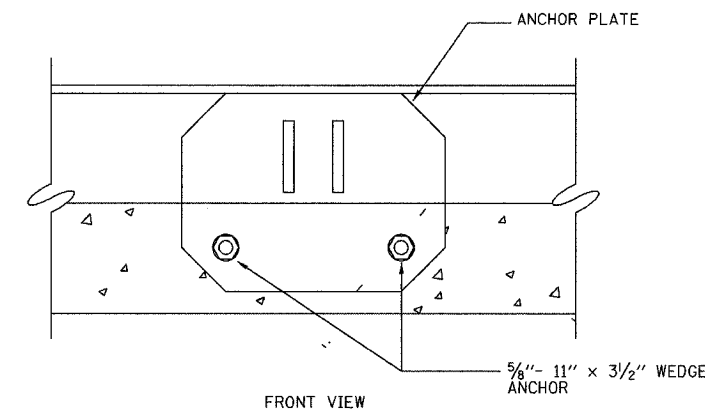
F.A.I. RTE.	SECTION	COUNTY	TOTAL SHEETS	SHEET NO.
94/90	2003-0311	COOK	976	858
STA.	TO STA.			
FED. ROAD DIST. NO.	ILLINOIS	FED. AID PROJECT		
62583				



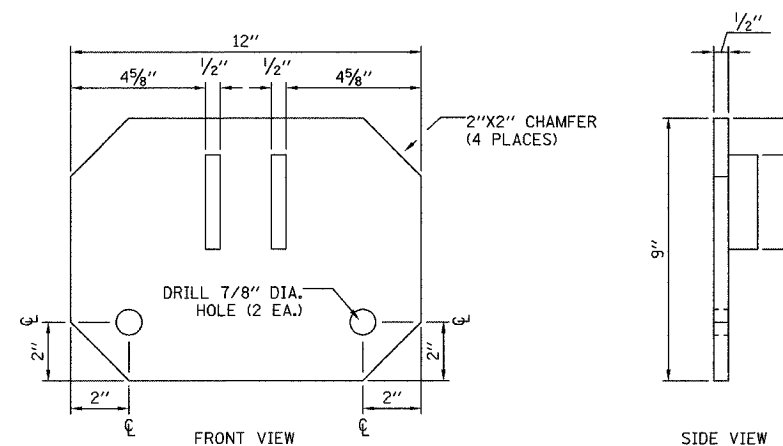
CONCRETE STOOP DETAIL
NOT TO SCALE



BUILDING ATTACHMENT DETAIL
NOT TO SCALE



CONDUIT ENTRANCE DETAIL
NOT TO SCALE



ANCHOR PLATE DETAIL
NOT TO SCALE

NOTES:

1. FOR ANCHOR PLATES, USE 1/2" THICK A36 STEEL.
2. FINISH: ZINC HOT-DIP GALVANIZED PER ASTM A123.
3. DEBURR ALL SHARP EDGES AND HOLES.
4. ANCHOR PLATES PROVIDED BY SHELTER MANUFACTURER.
5. SURFACING OF FINISHED SLAB SHALL BE LEVEL & FLAT WITHIN +1/4".
6. CONTRACTOR SHALL COORDINATE THE INSTALLATION OF SHELTER ON TO ITS FOUNDATION WITH THE SHELTER FABRICATOR, MAKE ALL CONNECTIONS NECESSARY & INSTALL EQUIPMENT AS INDICATED.
7. IF ROCK IS ENCOUNTERED, CONTACT ENGINEER IMMEDIATELY. DO NOT PROCEED UNTIL ENGINEER ISSUES REVISED FOUNDATION DESIGN BASED ON SUBSURFACE CONDITIONS.
8. COORDINATE CONDUIT ENTRY LOCATION WITH ENGINEER PER SITE PLAN DETAIL SHEET AND COMMUNICATION SHELTER FOUNDATION.

REVISIONS	
NAME	DATE

ILLINOIS DEPARTMENT OF TRANSPORTATION
F.A.I. 94/90 (DAN RYAN EXPRESSWAY)
31st STREET to I-57
SHELTER FOUNDATION DETAILS
(SHEET 2 OF 2)

SCALE: NOT TO SCALE
DATE: October 29, 2004
DRAWN BY: JM
CHECKED BY: CS