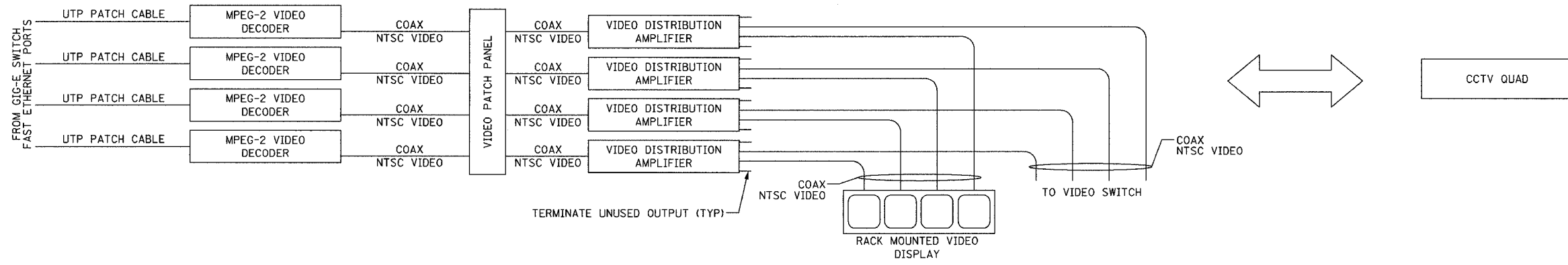
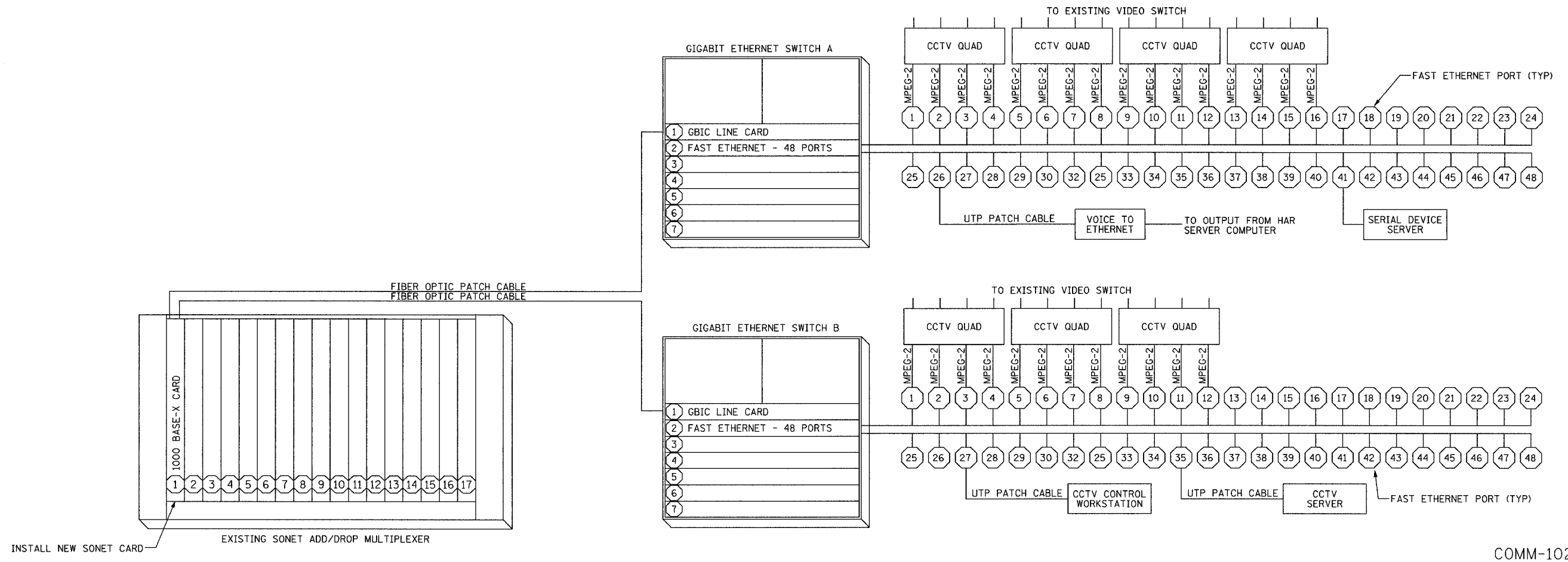


F.A.I. RTE.	SECTION	COUNTY	TOTAL SHEETS	SHEET NO.
94/90	2003-0311	COOK	976	868
STA.	TO STA.			
FED. ROAD DIST. NO.	ILLINOIS	FED. AID PROJECT		
62583				



ONE-LINE DIAGRAM FOR CCTV QUAD
NOT TO SCALE



EQUIPMENT INTERCONNECT DIAGRAM
NOT TO SCALE

- NOTES:
1. THIS DRAWING IS FOR REFERENCE ONLY AND PROVIDES AN OVERVIEW OF THE CCTV EQUIPMENT INTERCONNECTS AT THE COMMUNICATION SHELTER.
 2. CONTRACTOR SHALL PROVIDE NECESSARY POWER CONNECTIONS TO THE EQUIPMENT.

Edwards AND Kelcey
ONE NORTH FRANKLIN
CHICAGO, IL 60606
PHONE: (312) 251-3000
FAX: (312) 251-3015
WEB: WWW.EKCORP.COM

REVISIONS	
NAME	DATE

ILLINOIS DEPARTMENT OF TRANSPORTATION
F.A.I. 94/90 (DAN RYAN EXPRESSWAY)
31st STREET to I-57
SCHAUBURG COMMUNICATION CENTER
EQUIPMENT WIRING DIAGRAM
SCALE: NOT TO SCALE
DATE: October 29, 2004
DRAWN BY: DHI
CHECKED BY: JEZ

COMM-102

11/23/2004 12:42:06 PM