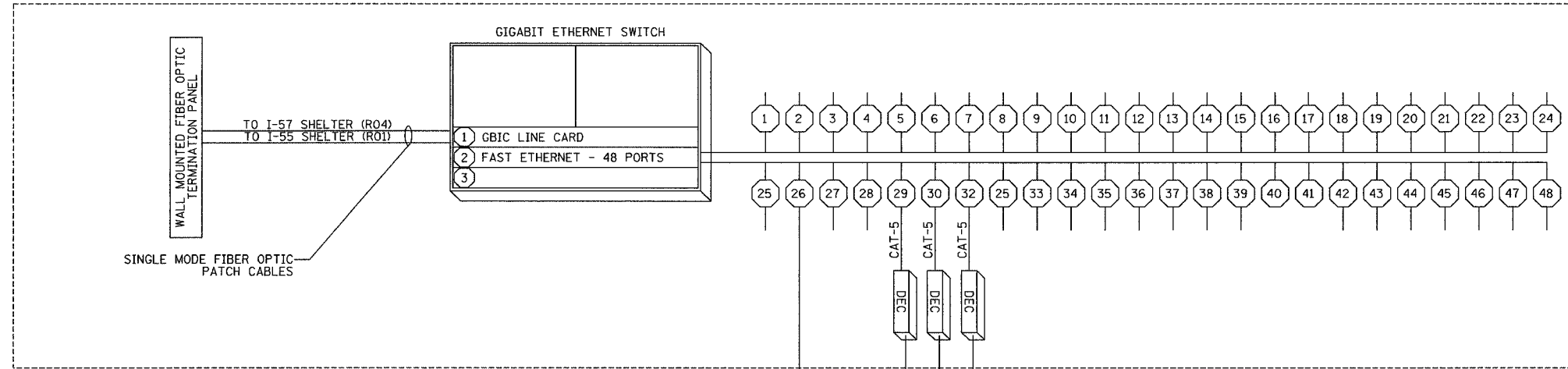
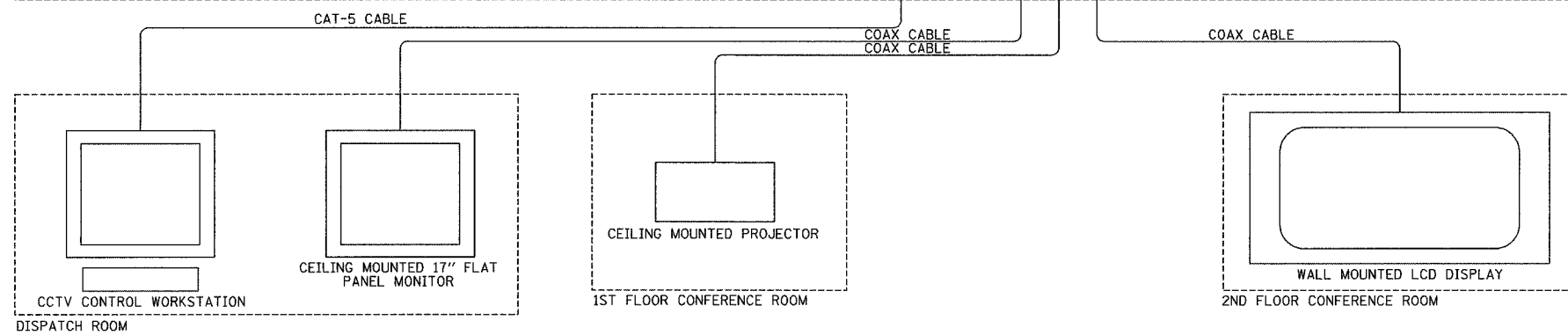


F.A.I. RTE.	SECTION	COUNTY	TOTAL SHEETS	SHEET NO.
94/90	2003-0311	COOK	976	875
STA.	TO STA.			
FED. ROAD DIST. NO. - ILLINOIS	FED. AID PROJECT			
62583				

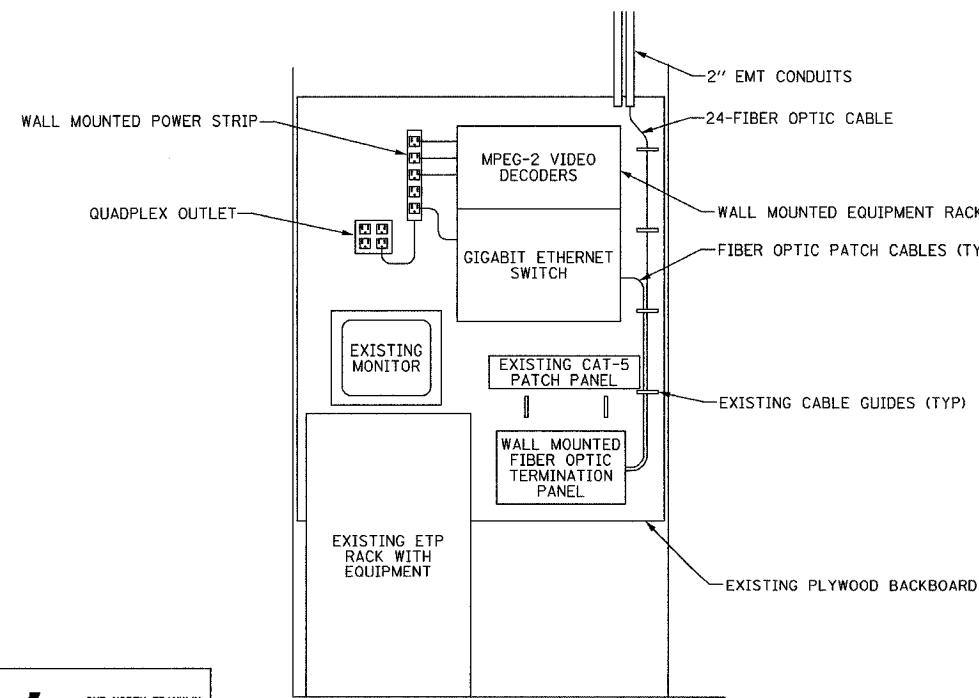
TELCO/EQUIPMENT ROOM



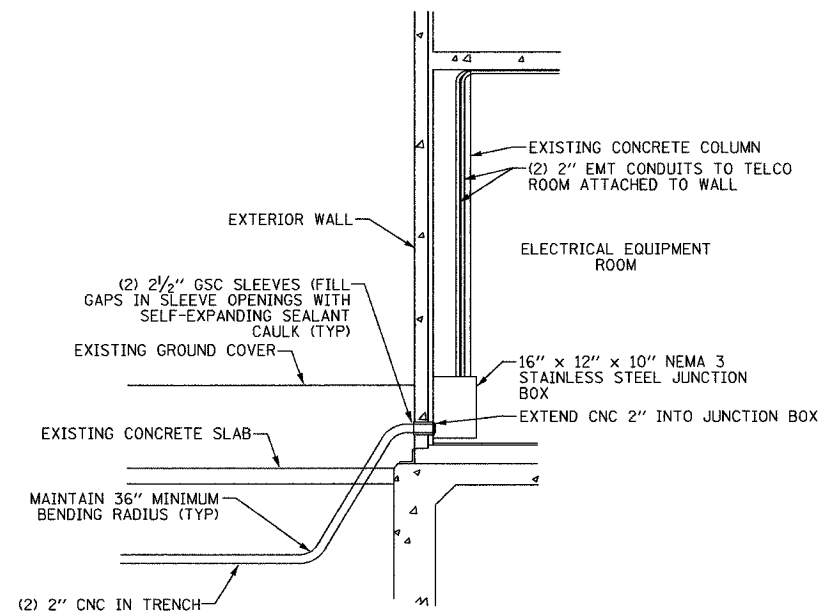
DEC MPEG-2 VIDEO DECODER (IP)



EQUIPMENT WIRING DIAGRAM
NOT TO SCALE



TELCO ROOM EQUIPMENT ELEVATION
NOT TO SCALE



CONDUIT ENTRANCE DETAIL
NOT TO SCALE

Edwards AND Kelcey
ONE NORTH FRANKLIN
CHICAGO, IL 60606
PHONE: (312) 251-3000
FAX: (312) 251-3015
WEB: WWW.EKCORP.COM

REVISIONS	
NAME	DATE

ILLINOIS DEPARTMENT OF TRANSPORTATION
F.A.I. 94/90 (DAN RYAN EXPRESSWAY)
31st STREET TO I-57

EMERGENCY TRAFFIC PATROL (ETP)
WIRING DIAGRAM & DETAILS

SCALE: NOT TO SCALE
DATE: October 29, 2004

DRAWN BY: DHI
CHECKED BY: JEZ

COMM-109

11/23/2004 07:31:56 AM