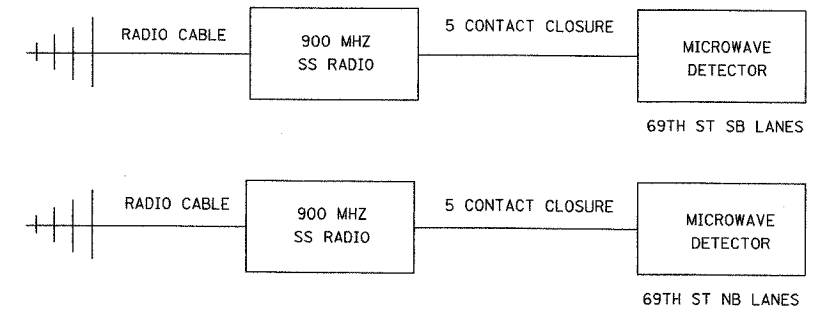
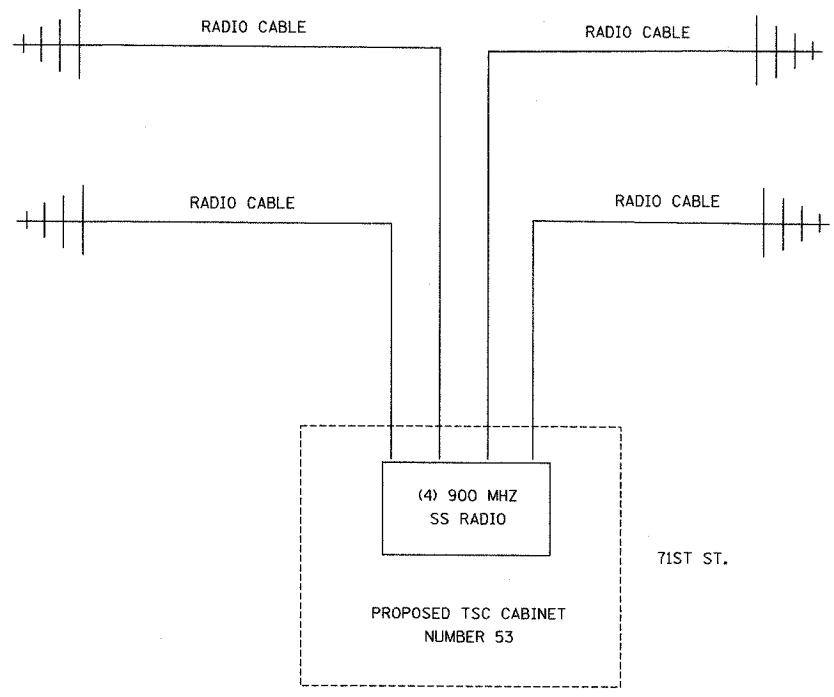
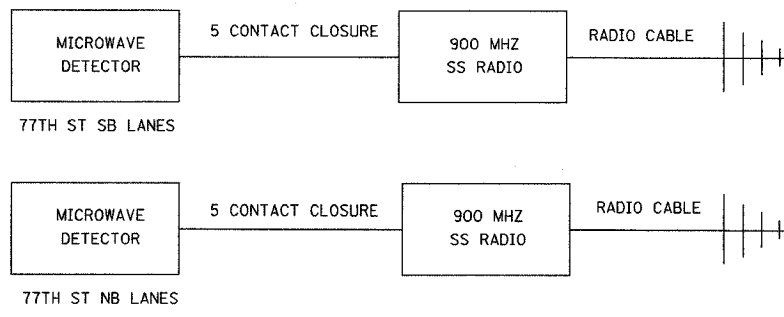
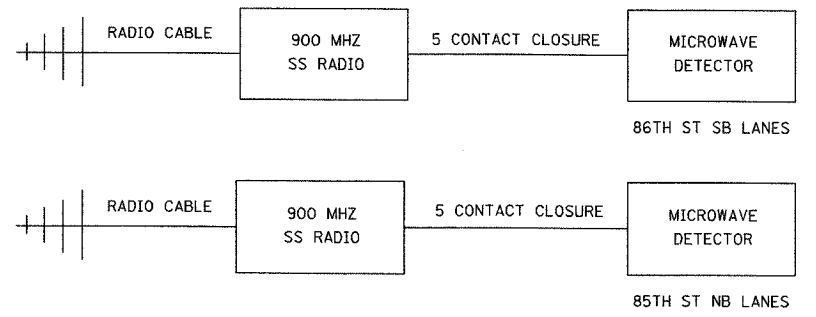
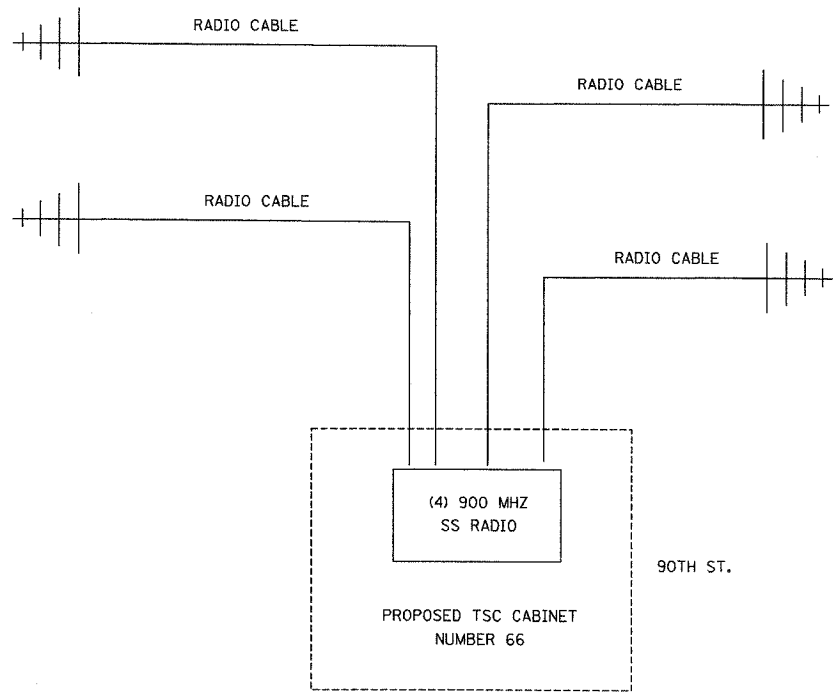
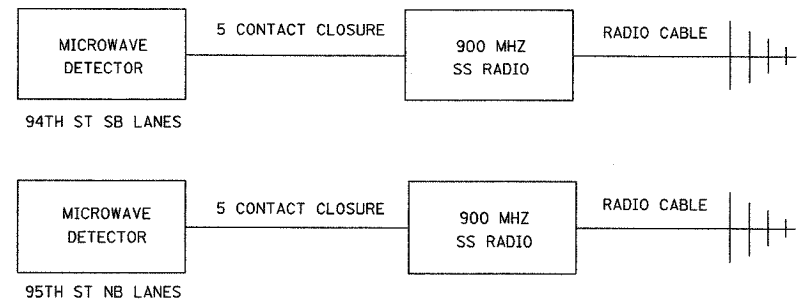


F.A.I. RTE.	SECTION	COUNTY	TOTAL SHEETS	SHEET NO.
94/90	2003-0311	COOK	976	893
STA. 62583		TO STA.		
FED. ROAD DIST. NO. ILLINOIS FED. AID PROJECT				



NOTE:
1. SEE SHEETS DT-53, DT-54, DT-55 FOR SITE INSTALLATION DETAILS.

Edwards AND Kelcey
ONE NORTH FRANKLIN
CHICAGO, IL 60606
PHONE: (312) 251-3000
FAX: (312) 251-3015
WEB: WWW.EKCORP.COM

REVISIONS	
NAME	DATE

ILLINOIS DEPARTMENT OF TRANSPORTATION
F.A.I. 94/90 (DAN RYAN EXPRESSWAY)
31st STREET to I-57
TEMPORARY DETECTION
COMMUNICATIONS LAYOUT
(Sheet 1 of 3)
SCALE: N.T.S. DRAWN BY: DHI
DATE: October 29, 2004 CHECKED BY: JEZ

COMM-127

P:\03009035\16\cadd\020352.dwg 10/19/2004 04:49:09 PM