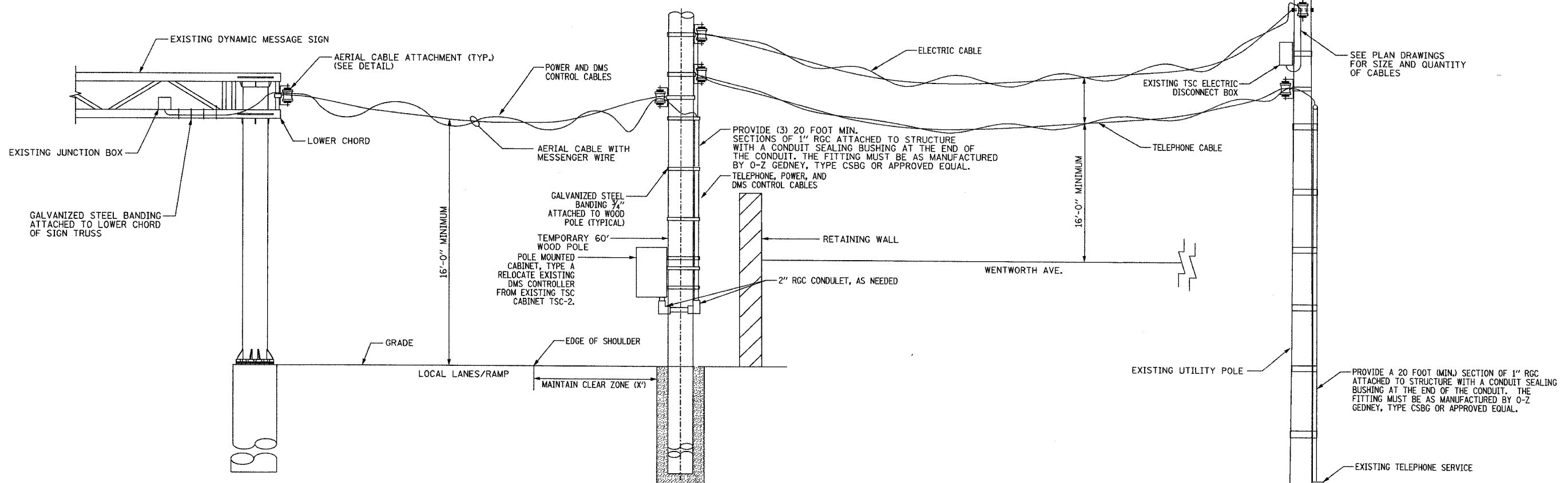


SECTION	COUNTY	TOTAL SHEETS	SHEET NO.
2003-031I	COOK	976	106
STA.	TO STA.		
FED. ROAD DIST. NO.	ILLINOIS FED. AID PROJECT		
62583			

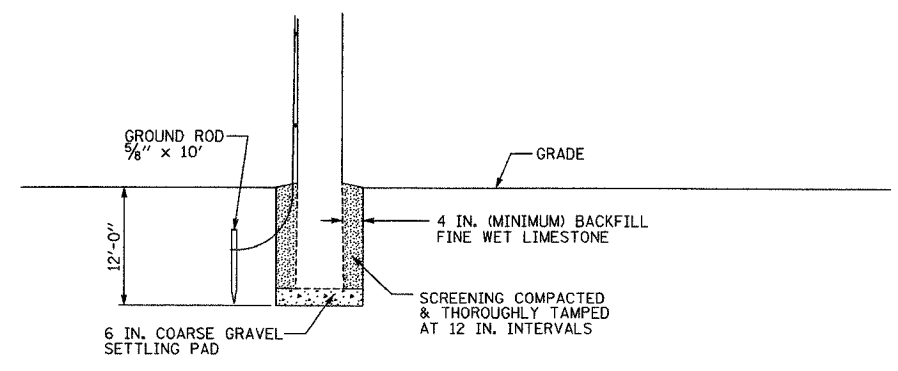
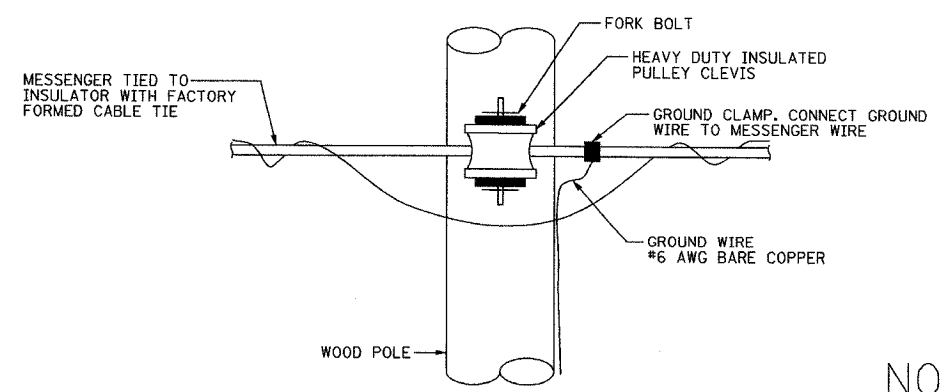
**NOTES:**

1. SEE DRAWINGS ME-01 AND ME-02 FOR ELECTRICAL SYMBOLS AND ABBREVIATIONS.
2. ALL WORK SHOWN WILL BE INCLUDED WITH THE COST OF THE AERIAL CABLE.
3. HEAVY DUTY INSULATED PULLEY CLEVIS AND CLAMPS MAY BE SUBSTITUTED WITH OTHER EQUIPMENT AND MOUNTING METHOD UPON APPROVAL FROM THE ENGINEER.
4. SEE PLAN DRAWINGS FOR CABLE SIZE AND QUANTITY OF CABLE.
5. MAINTAIN EXISTING DMS UNTIL NEW DMS LOCATED APPROX. 450' NORTH OF EXISTING IS OPERATIONAL.

**TEMPORARY CONNECTION TO SIGN STRUCTURE DETAIL**



**TEMPORARY WOOD POLE  
AERIAL CABLE ATTACHMENT DETAIL**



**FOUNDATION DETAIL**

**Edwards  
AND Kelcey**  
ONE NORTH FRANKLIN  
CHICAGO, IL 60606  
PHONE: (312) 251-3000  
FAX: (312) 251-3015  
WEB: WWW.EKCORP.COM

NOT TO SCALE

REVISIONS	
NAME	DATE

ILLINOIS DEPARTMENT OF TRANSPORTATION  
F.A.I. 94/90 (DAN RYAN EXPRESSWAY)  
31st STREET TO I-57  
TEMPORARY POWER FEED TO  
DYNAMIC MESSAGE SIGN DETAIL  
(57TH STREET)

SCALE: NOT TO SCALE  
DATE: October 29, 2004

DRAWN BY: CJH  
CHECKED BY: DH

DT-11

10/15/2004 03:37:42 PM