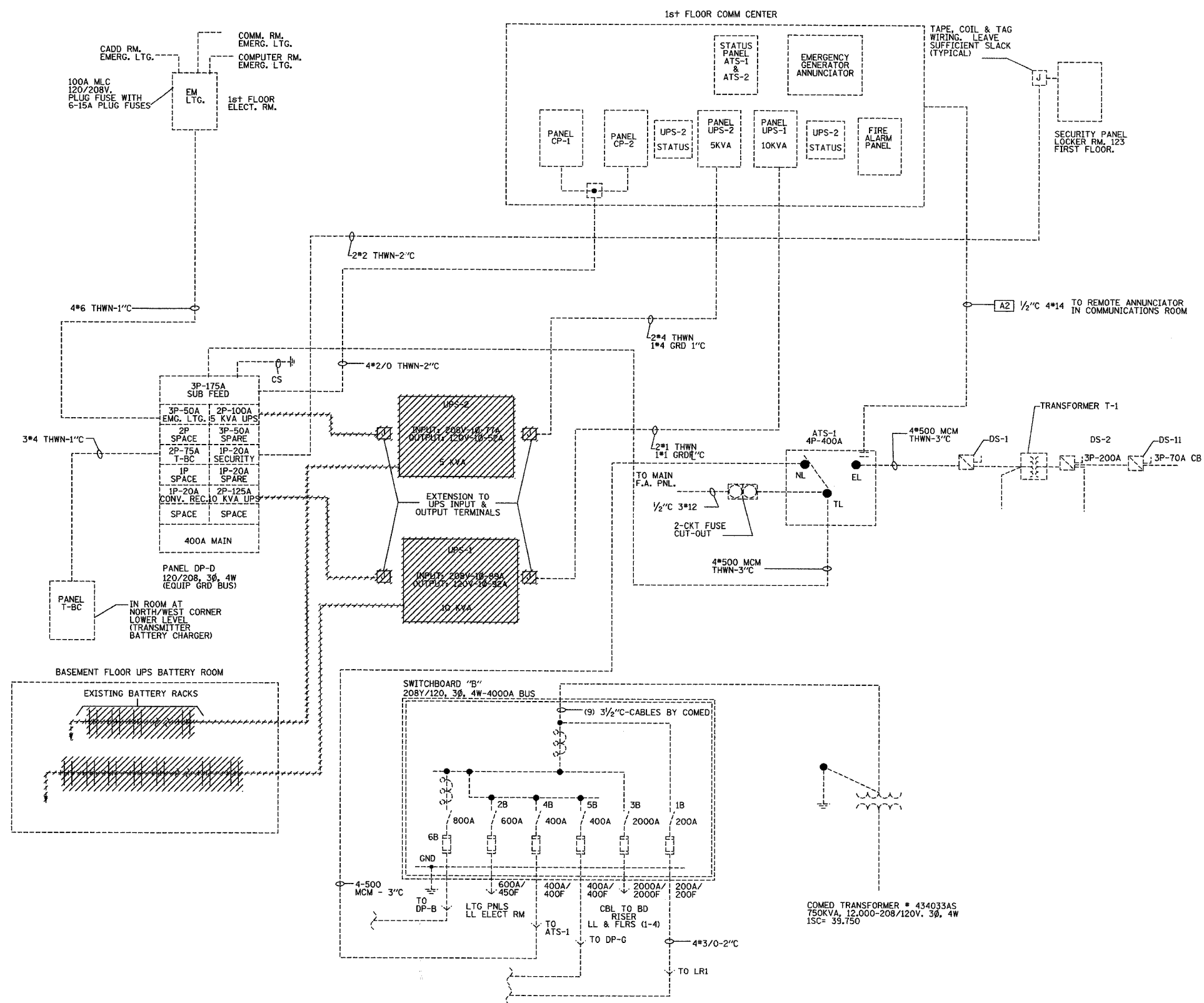


F.A.I. RTE.	SECTION	COUNTY	TOTAL SHEETS	SHEET NO.
94/90	2003-0311	COOK	976	909
STA. 62583		TO STA.		
ILLINOIS FED. AID PROJECT				



LEGEND
 EXISTING CONDUIT AND OR EQUIPMENT TO BE REMOVED

REVISIONS		ILLINOIS DEPARTMENT OF TRANSPORTATION F.A.I. 94/90 (DAN RYAN EXPRESSWAY) 31st STREET to I-57
NAME	DATE	
		EXISTING SINGLE LINE DIAGRAM
SCALE: NOT TO SCALE		DRAWN BY: SST
DATE: October 29, 2004		CHECKED BY: CS

Edwards AND Kelcey
 ONE NORTH FRANKLIN
 CHICAGO, IL 60606
 PHONE: (312) 251-3000
 FAX: (312) 251-3015
 WEB: WWW.EKCORP.COM

DT-12B

P:\030019\0311\16\cadd\ups020222a.dwg 11/5/2004 11:53:13 AM