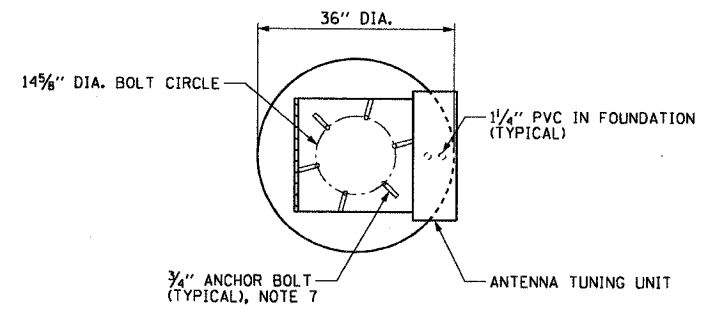


F.A.I. RTE.	SECTION	COUNTY	TOTAL SHEETS	SHEET NO.
90/94	2003-0311	COOK	976	927
STA.	TO STA.			
FED. ROAD DIST. NO. 1	ILLINOIS	FED. AID PROJECT		

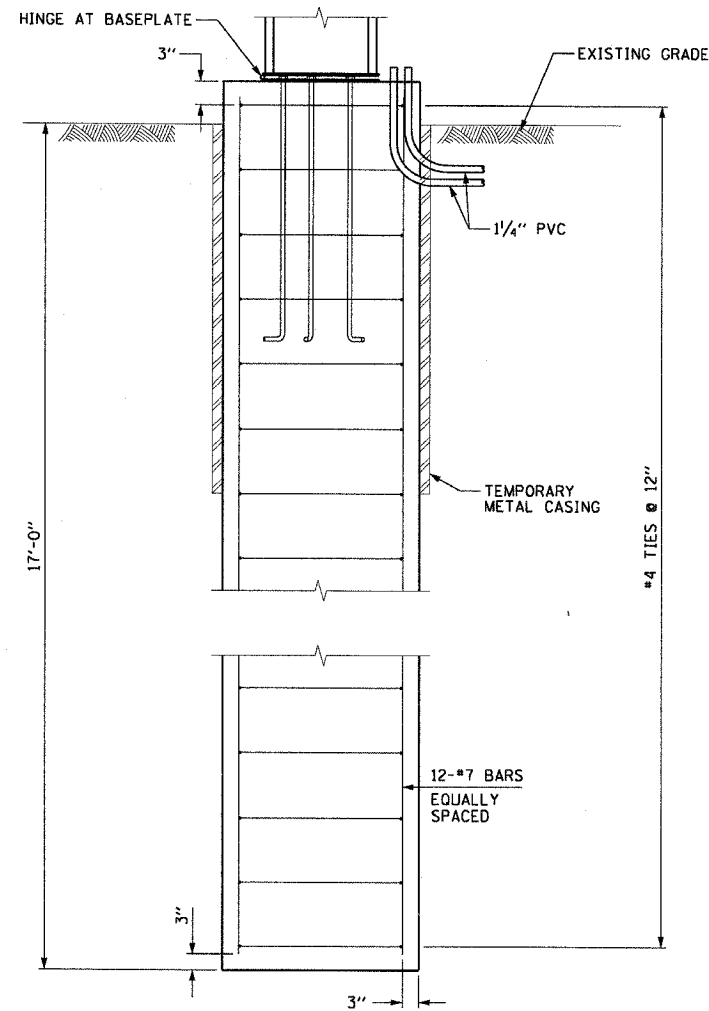
62583

NOTES:

- SEE DRAWINGS ME-01 AND ME-02 FOR ELECTRICAL SYMBOLS AND ABBREVIATIONS.
- CONCRETE SHALL HAVE A MINIMUM COMPRESSIVE STRENGTH, F_c OF 4000 PSI AT 28 DAYS.
- THE FOUNDATION SHALL BE A MONOLITHIC POUR. NO CONSTRUCTION JOINTS WILL BE ALLOWED.
- ALL REINFORCEMENT AND DETAILING SHALL CONFORM TO ACI 318, "BUILDING CODE REQUIREMENTS FOR STRUCTURAL CONCRETE".
- REINFORCEMENT BARS SHALL BE DEFORMED BILLET STEEL BARS CONFORMING TO ASTM A 615 GRADE 60 WITH $F_y = 60,000$ PSI.
- 3" CONCRETE COVER SHALL BE PROVIDED.
- A TEMPORARY CASING SHALL BE INSTALLED TO A DEPTH BELOW THE EXISTING GROUND LEVEL TO PREVENT SEEPAGE INTO THE SHAFT AND TO A DEPTH NECESSARY TO PREVENT COLLAPSE OF THE SHAFT SIDEWALLS. SEE SOIL BORING LOGS FOR GROUND WATER LEVELS AND SOIL STABILITY INFORMATION AT EACH LOCATION.
- ANCHOR BOLTS AND ANTENNA TOWER SHALL BE AS PER ANTENNA MANUFACTURER. CONTRACTOR MUST ENSURE THAT THE ANCHOR BOLTS AND ANTENNA ARE ORIENTED SUCH THAT THE ANTENNA TOWER CAN ROTATE 90 DEGREES DURING INSTALLATION WITHOUT AFFECTING TRAFFIC MOVEMENTS.



PLAN VIEW



ELEVATION

1 HAR ANTENNA FOUNDATION (ANTENNA HAR-02)
DT-23 NOT TO SCALE

DT-23

CTE ENGINEERS
CONSOER TOWNSEND ENVIRONMENTAL ENGINEERS, INC.
303 EAST WACKER DRIVE, SUITE 600
CHICAGO, ILLINOIS 60601-5202, PHONE: (312) 938-0300

REVISIONS	
NAME	DATE

ILLINOIS DEPARTMENT OF TRANSPORTATION
F.A.I. 90/94 (DAN RYAN EXPRESSWAY)
31st STREET TO I-57

HIGHWAY ADVISORY RADIO
ANTENNA FOUNDATION DETAILS

SCALE: NONE DRAWN BY: CJM
DATE: October 29, 2004 CHECKED BY: BMW

10/15/2004 08:44:49 AM