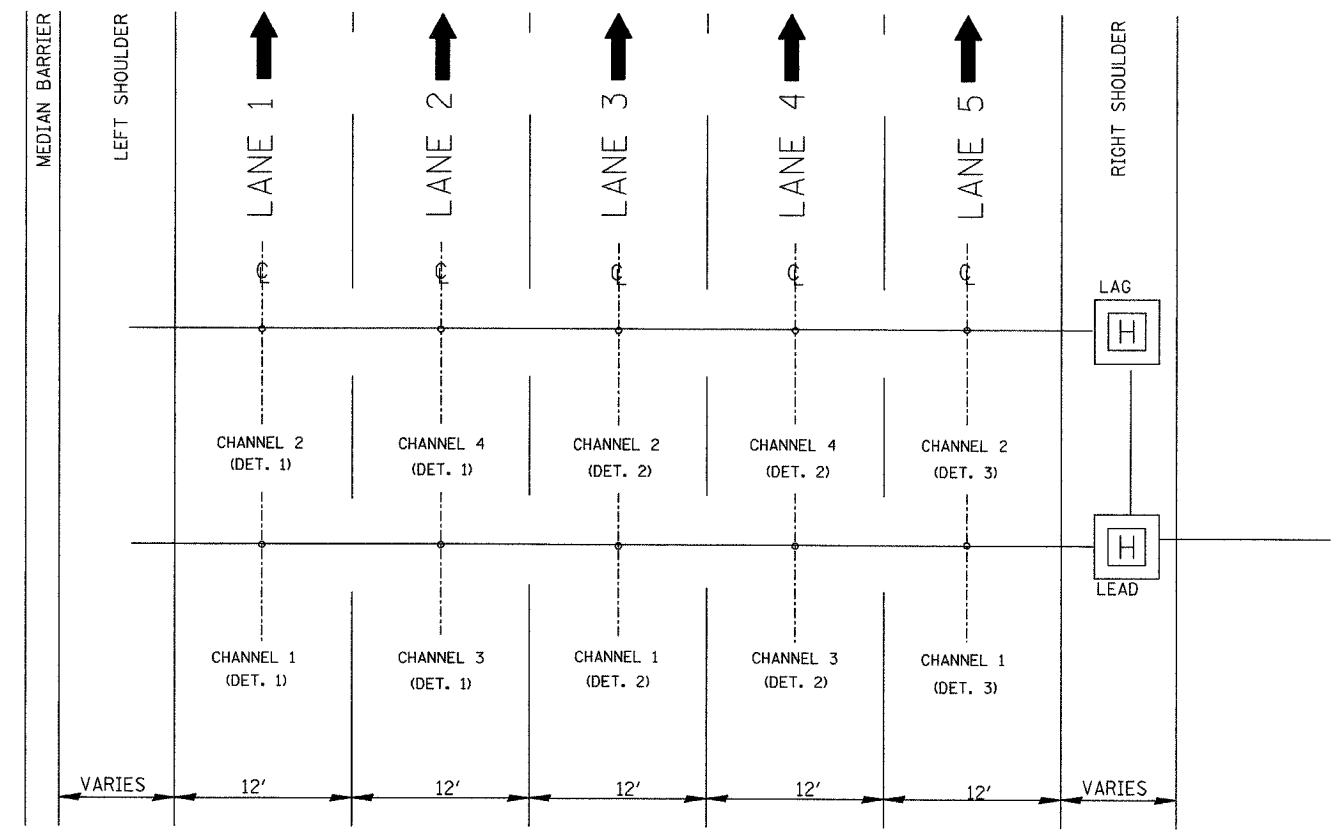
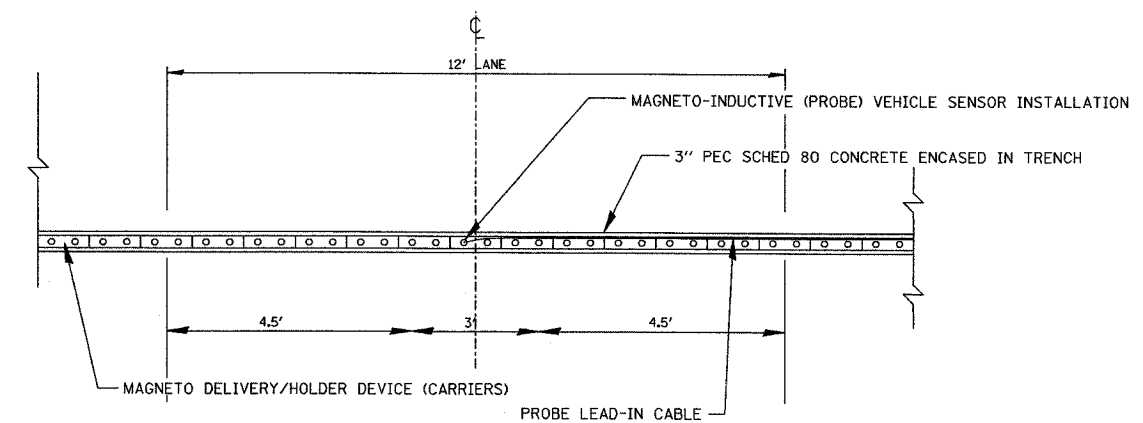


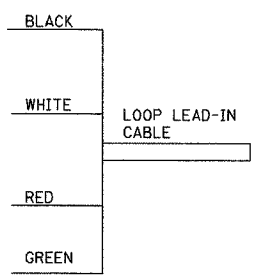
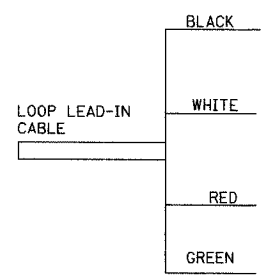
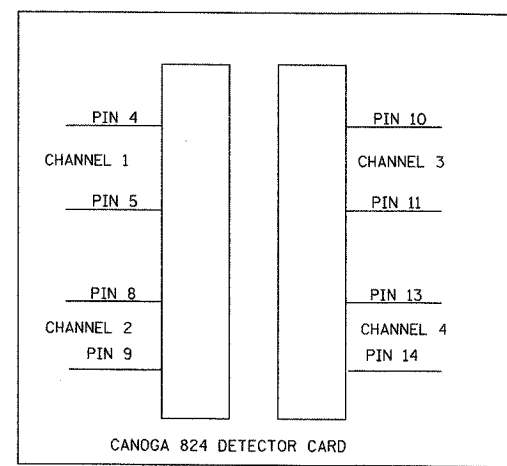
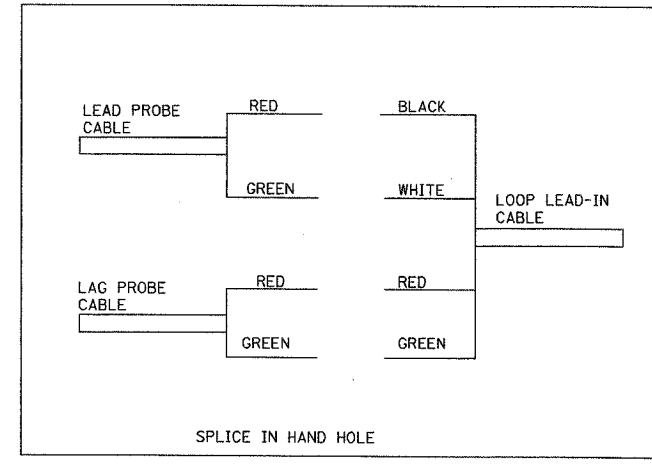
SECTION	COUNTY	TOTAL SHEETS	SHEET NO.
2003-03II	COOK	976	430
STA. 62583		TO STA.	
FED. ROAD DIST. NO. ILLINOIS		FED. AID PROJECT	



SAMPLE PROBE CONFIGURATION



DAN RYAN TYPICAL SPEED MEASURING DETECTOR STATION
12' WITH DUAL MAGNETO-INDUCTIVE VEHICLE SENSOR (PROBE) INSTALLATION PER LANE



Edwards AND Kelcey
ONE NORTH FRANKLIN
CHICAGO, IL 60606
PHONE: (312) 251-3000
FAX: (312) 251-3015
WEB: WWW.EKCORP.COM

REVISIONS	
NAME	DATE

ILLINOIS DEPARTMENT OF TRANSPORTATION
F.A.I. 94/90 (DAN RYAN EXPRESSWAY)
31st STREET to I-57
TYPICAL MULTIPLE MAGNETO-INDUCTIVE
VEHICLE SENSOR (MICROLOOP) - FULL
INSTALLATION/SPEED MEASURING LAYOUT
(SHEET 2 OF 2)
SCALE: NTS
DATE: October 29, 2004
DRAWN BY: NB
CHECKED BY: CTC

P:\030019\0305\118\cadd\118\cadd\118\2007\2a.sht 10/14/2004 09:24:40 AM