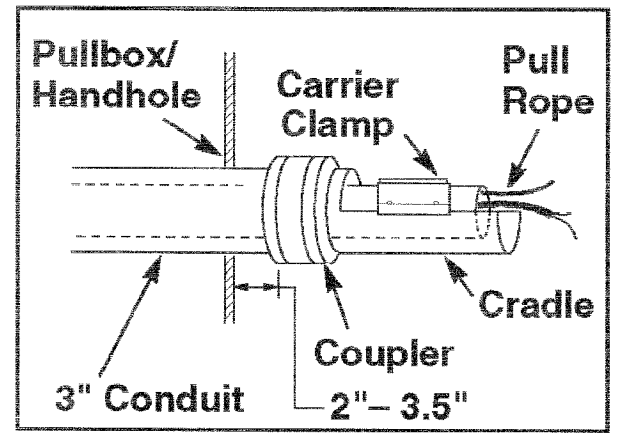
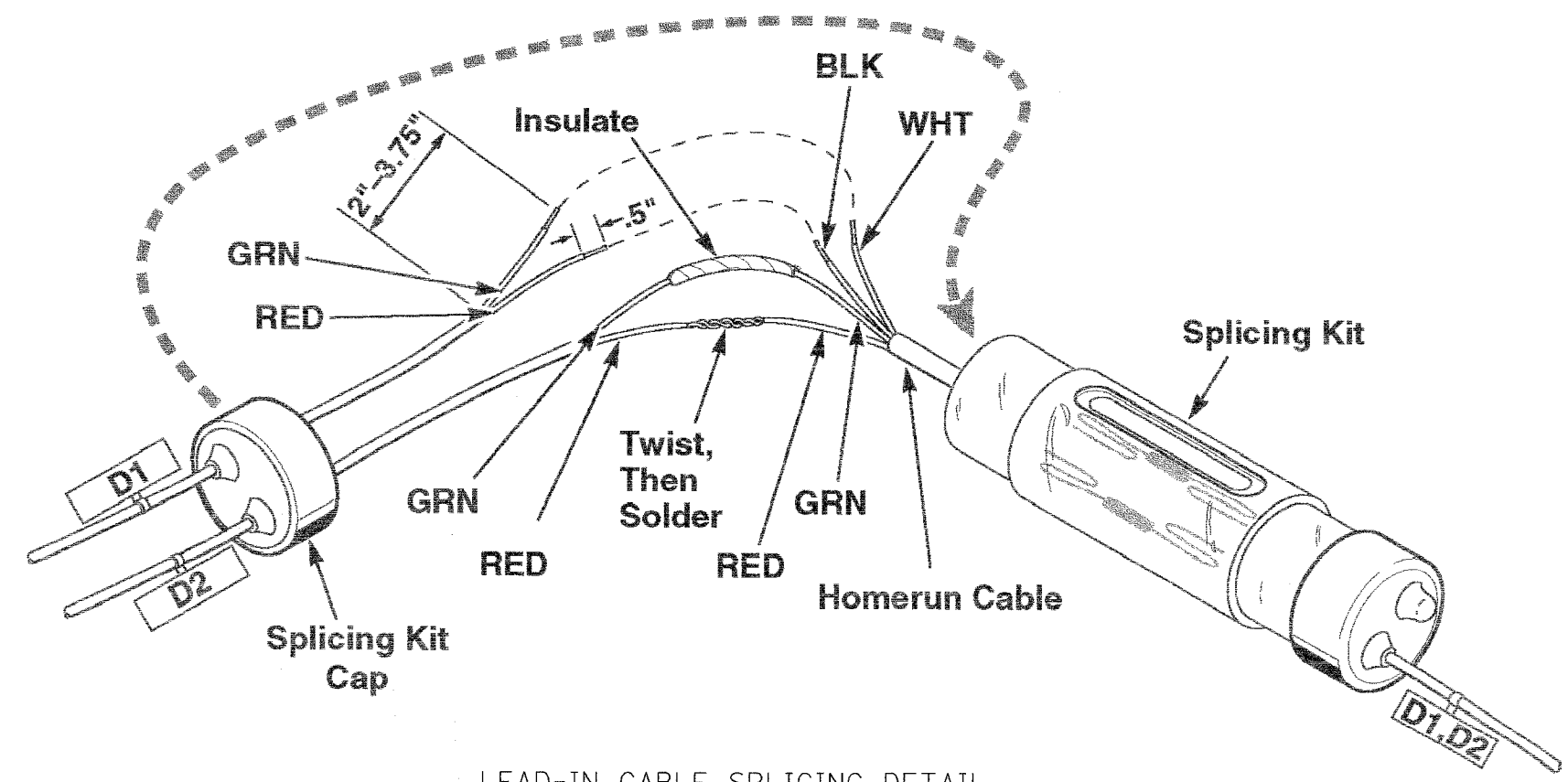


SECTION	COUNTY	TOTAL SHEETS	SHEET NO.
2003-0311	COOK	976	433
STA.	TO STA.		
FED. ROAD DIST. NO.	ILLINOIS	FED. AID PROJECT	
62583			



PROBE/CARRIER INSTALLATION DETAIL



LEAD-IN CABLE SPLICING DETAIL

NOTES:

1. ALL SPLICES MUST BE SOLDERED, INSULATED, AND WATERPROOFED.
2. EACH PROBE LEAD-IN SHALL BE TAGGED WITH A PERMANENT IDENTIFICATION TAG WITH THE CORRECT NOMENCLATURE.
3. FOR MICROLOOP SPLICING DETAIL, SEE SHEETS DT 23 - 27.

DT-28

Edwards AND Kelcey
ONE NORTH FRANKLIN
CHICAGO, IL 60606
PHONE: (312) 251-3000
FAX: (312) 251-3015
WEB: WWW.EKCORP.COM

REVISIONS	
NAME	DATE

ILLINOIS DEPARTMENT OF TRANSPORTATION
F.A.I. 94/90 (DAN RYAN EXPRESSWAY)
31st STREET to I-57

TYPICAL MAGNETO-INDUCTIVE VEHICLE
SENSOR (MICROLOOP) INSTALLATION DETAIL

SCALE: NTS
DATE: October 29, 2004

DRAWN BY: NB
CHECKED BY: CTC

SSTC-94A

P:\030019\0311\11\SCADD\DT02027E.SHT 08/15/2004 08:16:56 AM