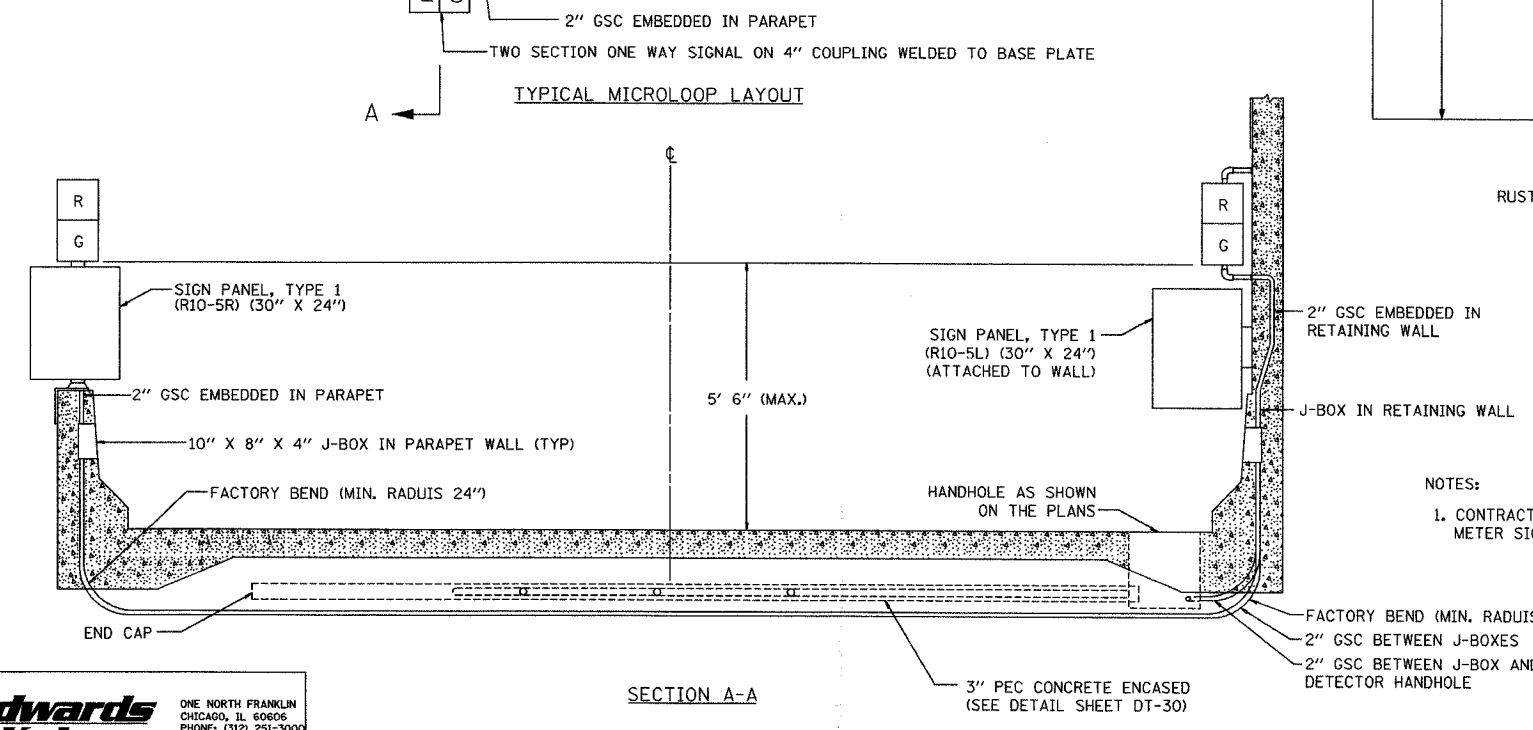
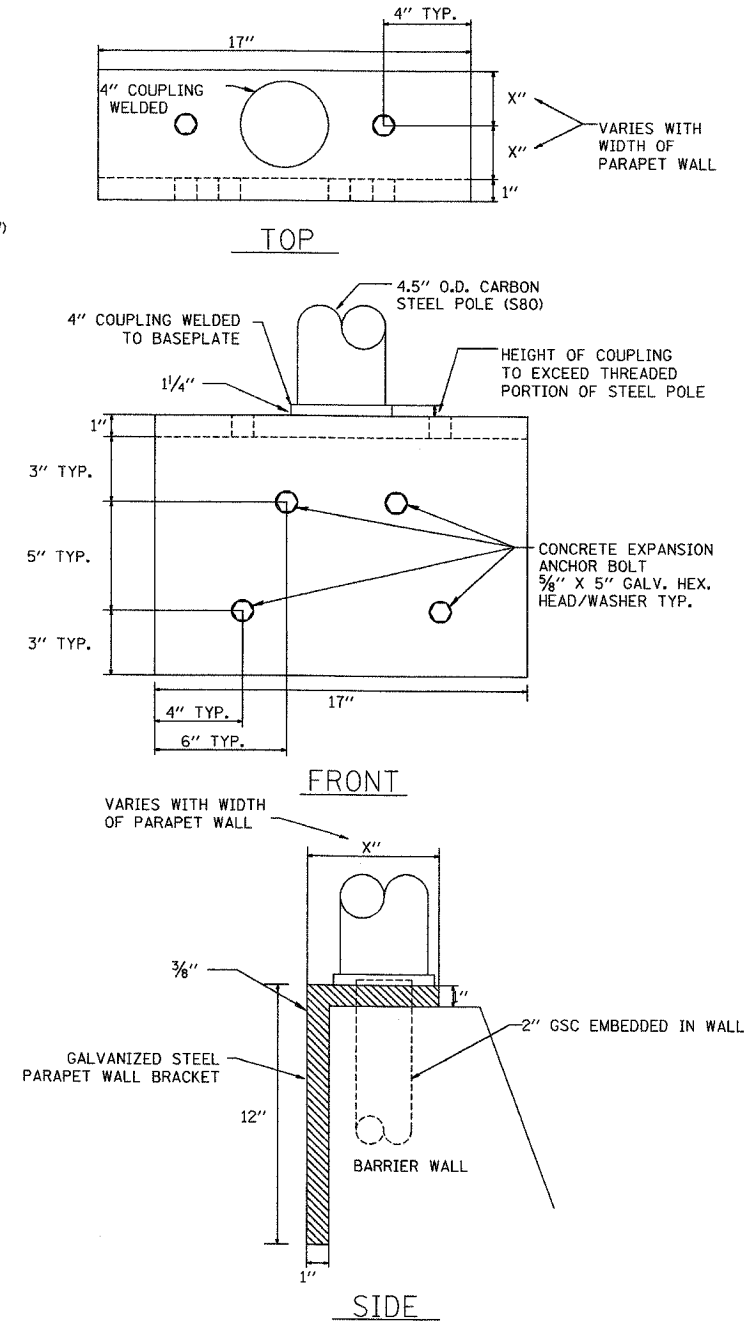
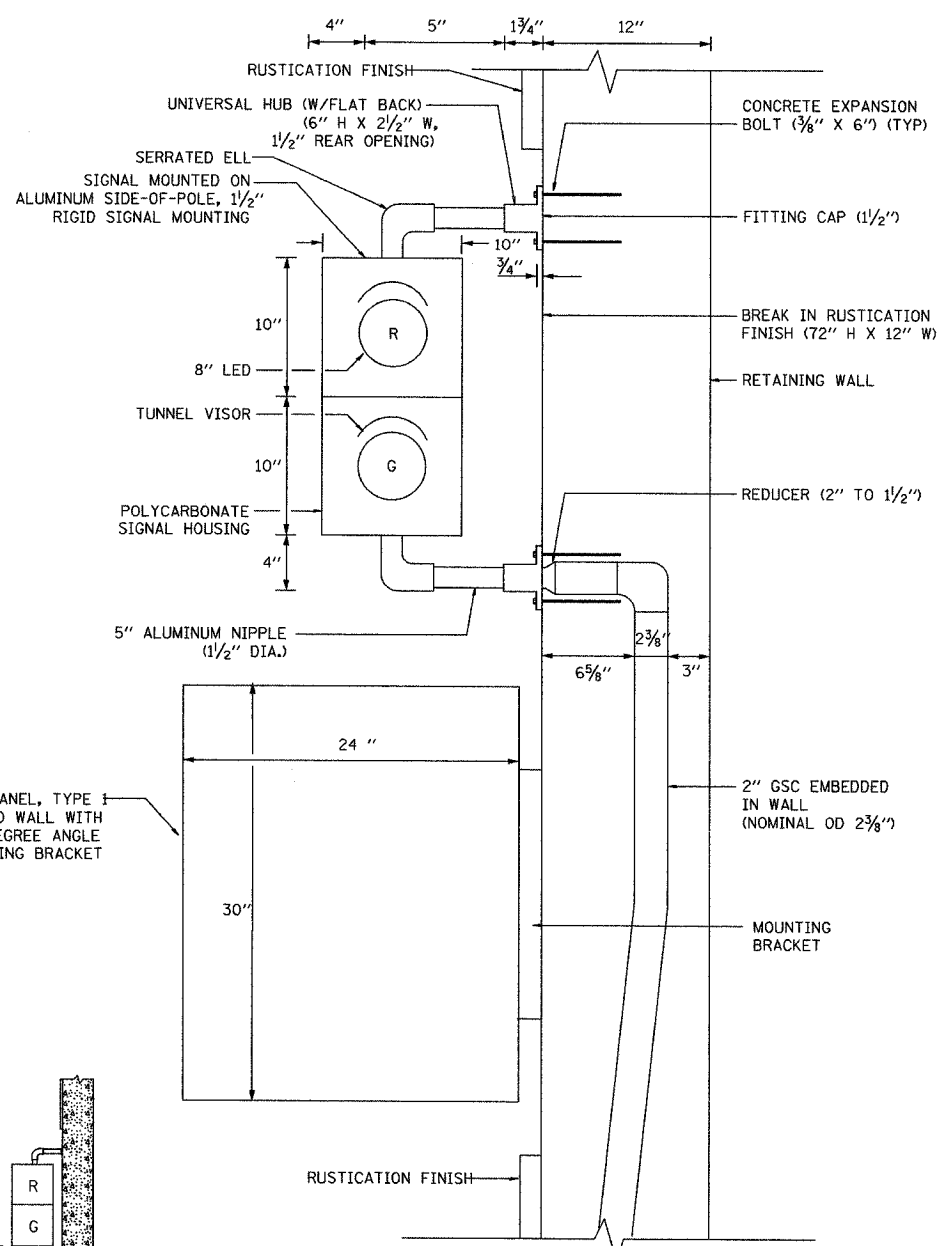
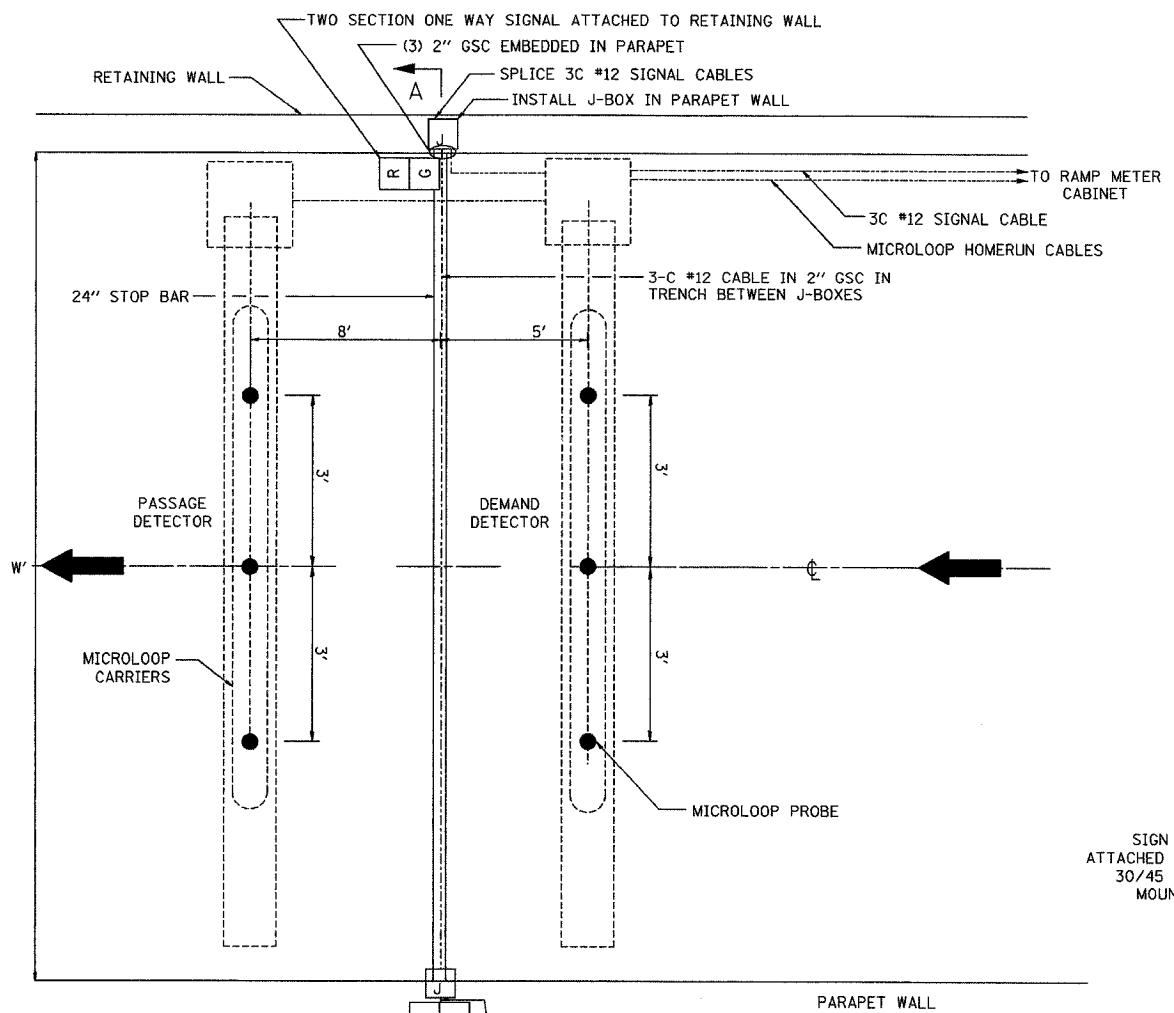


SECTION	COUNTY	TOTAL SHEETS	SHEET NO.
2003-031I	COOK	976	440
STA. TO STA.		FED. ROAD DIST. NO. - ILLINOIS FED. AID PROJECT	
		62583	



SIGNAL & SIGN ATTACHED TO RETAINING WALL

SIGNAL MOUNTED ON PARAPET WALL

NOTES:
 1. CONTRACTOR SHALL SUBMIT DETAILED SHOP DRAWINGS OF THE RAMP METER SIGNAL AND SIGN MOUNTING HARDWARE FOR APPROVAL BY THE ENGINEER.

REVISIONS	
NAME	DATE

ILLINOIS DEPARTMENT OF TRANSPORTATION
 F.A.I. 94/90 (DAN RYAN EXPRESSWAY)
 31st STREET TO I-57
 TYPICAL RAMP METERING
 TYPE III BARRIER WALL AND
 RETAINING WALL INSTALLATION
 SCALE: NTS
 DATE: October 29, 2004
 DRAWN BY: NB
 CHECKED BY: CTC