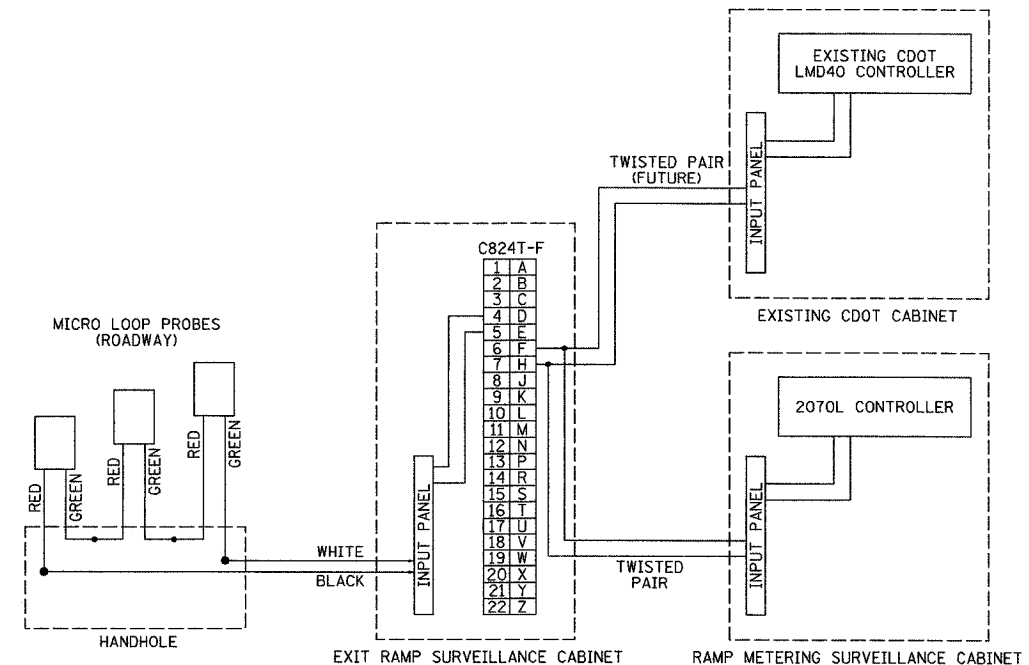
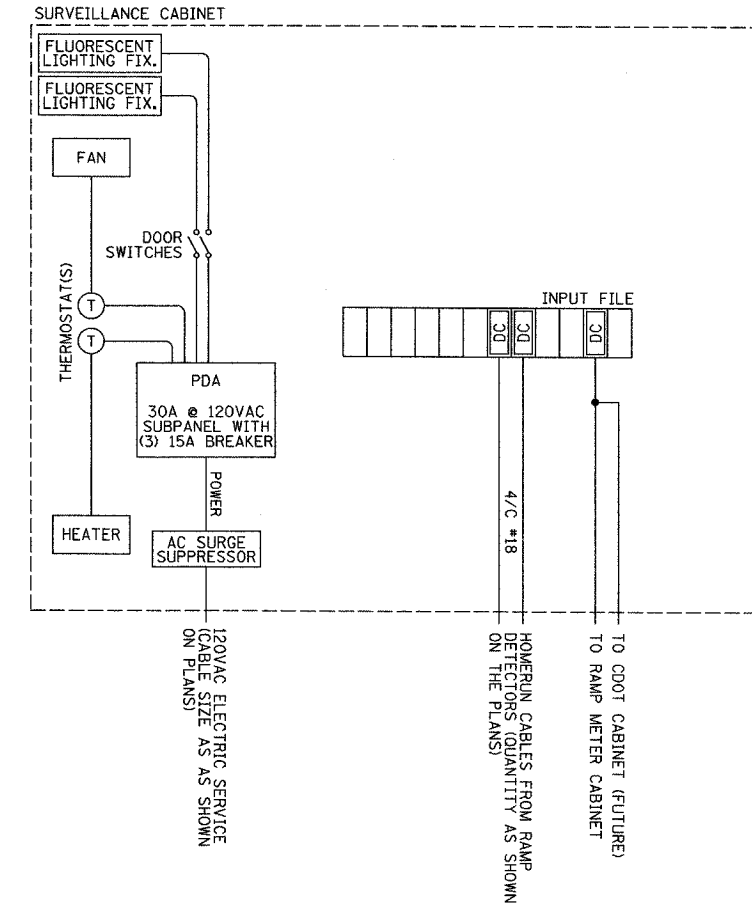


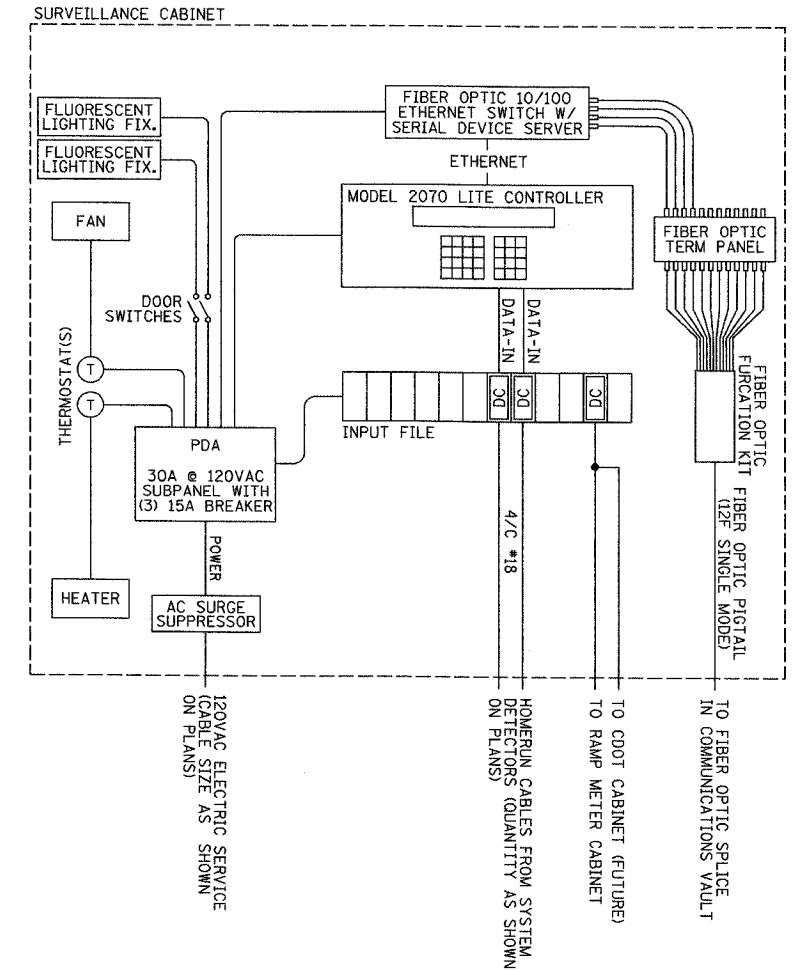
SECTION	COUNTY	TOTAL SHEETS	SHEET NO.
2003-0311	COOK	976	947
STA.	TO STA.		
FED. ROAD DIST. NO.	ILLINOIS	FED. AID PROJECT	
62583			



EXIT RAMP CONFIGURATION  
NOT TO SCALE



EXIT RAMP QUEUE  
LINE DIAGRAM (TYPICAL)  
NOT TO SCALE



SYSTEM DETECTOR/EXIT RAMP QUEUE  
SINGLE LINE DIAGRAM (TYPICAL)  
NOT TO SCALE

**Edwards AND Kelcey**  
ONE NORTH FRANKLIN  
CHICAGO, IL 60606  
PHONE: (312) 251-3000  
FAX: (312) 251-3015  
WEB: WWW.EXCORP.COM

ABBREVIATIONS  
DC DETECTOR CARD  
LS LOAD SWITCH  
SSF SOLID STATE FLASHER

REVISIONS	
NAME	DATE

ILLINOIS DEPARTMENT OF TRANSPORTATION  
F.A.I. 94/90 (DAN RYAN EXPRESSWAY)  
31st STREET to I-57  
  
CABINET, MODEL 334 - WIRING DETAILS  
AND SCHEMATIC (SHEET 2 OF 3)  
  
SCALE: NOT TO SCALE  
DATE: October 29, 2004  
DRAWN BY: DHI  
CHECKED BY: JEZ

DT-40

10/14/2004 09:24:30 AM