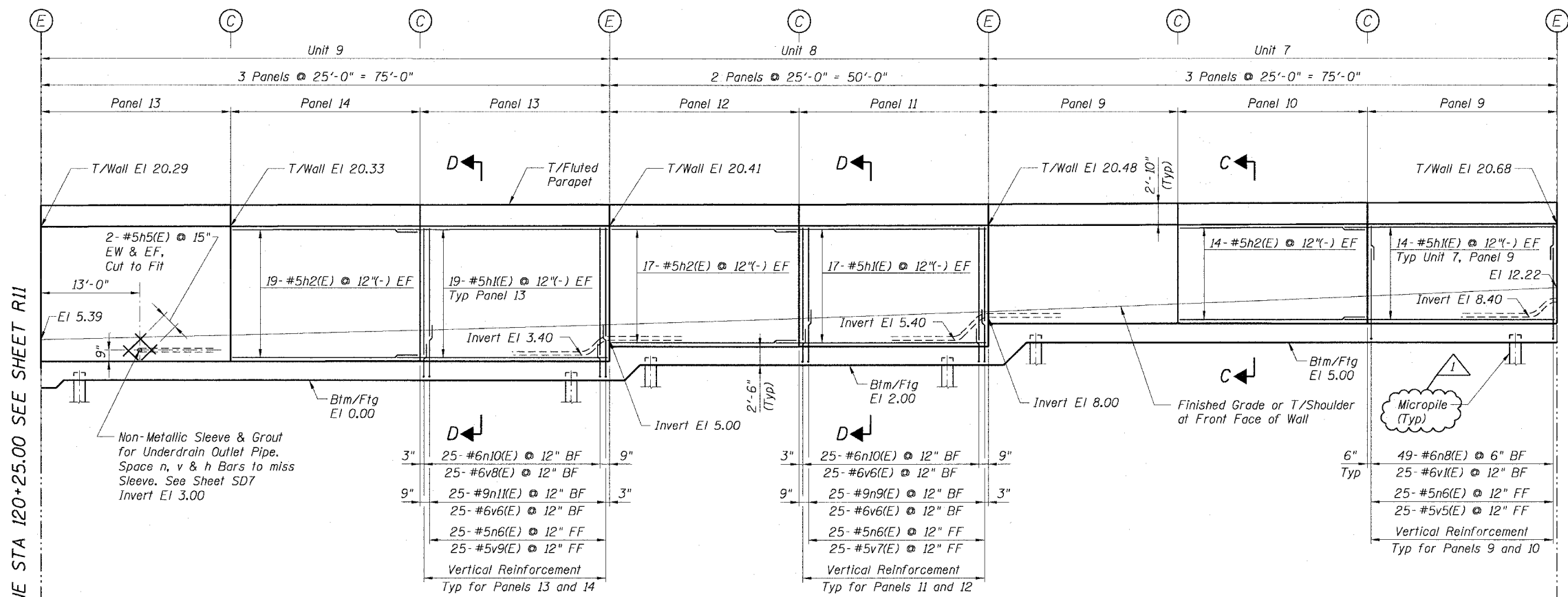


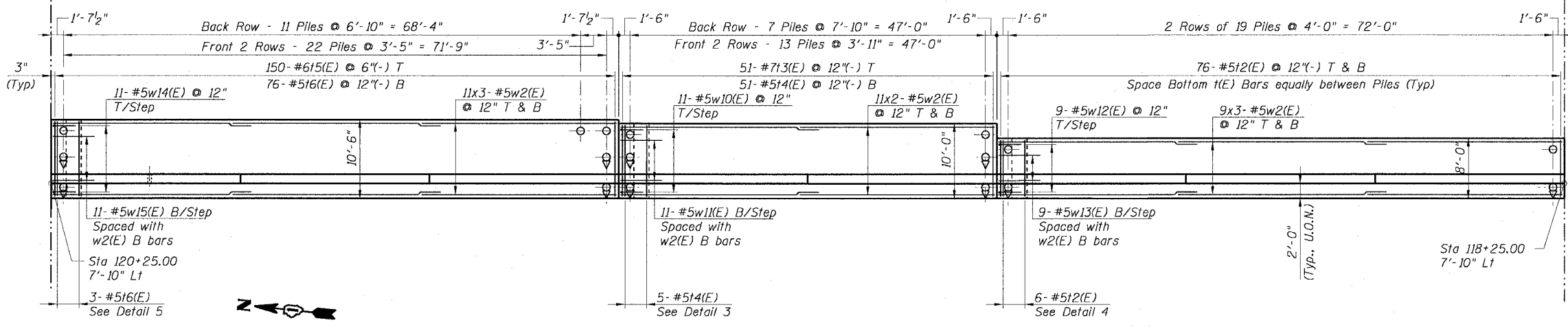
STATE OF ILLINOIS
DEPARTMENT OF TRANSPORTATION

F.A.I. RTE.	SECTION	COUNTY	TOTAL SHEETS	SHEET NO.
90/94	2021-922PT.1-AC	COOK	460	237
STA.	TO STA.			
FED. ROAD DIST. NO. 1	ILLINOIS	FED. AID PROJECT		

62693



FRONT FACE ELEVATION
(Looking East)
(Rustication not shown for clarity)



FOOTING PLAN

MATCH LINE STA 120+25.00 SEE SHEET R11

MATCH LINE STA 118+25.00 SEE SHEET R9



REVISIONS	
NAME	DATE
MK	01/06/03

Sheet R10 of 28
ILLINOIS DEPARTMENT OF TRANSPORTATION
F.A.I. 90/94 (DAN RYAN EXPRESSWAY)
DETAILED PLAN AND ELEVATION
SOUTH WENTWORTH AVENUE RETAINING WALL
WEST 59TH STREET TO WEST 63RD STREET
SECTION 2021-922PT.1-AC
STATION 111+25.00 TO 126+89.58
COOK COUNTY S.N. 016-W886
SCALE: None DRAWN BY: ET
DATE: October 29, 2004 CHECKED BY: JSS/MM

01/06/2005 02:46:28 PM