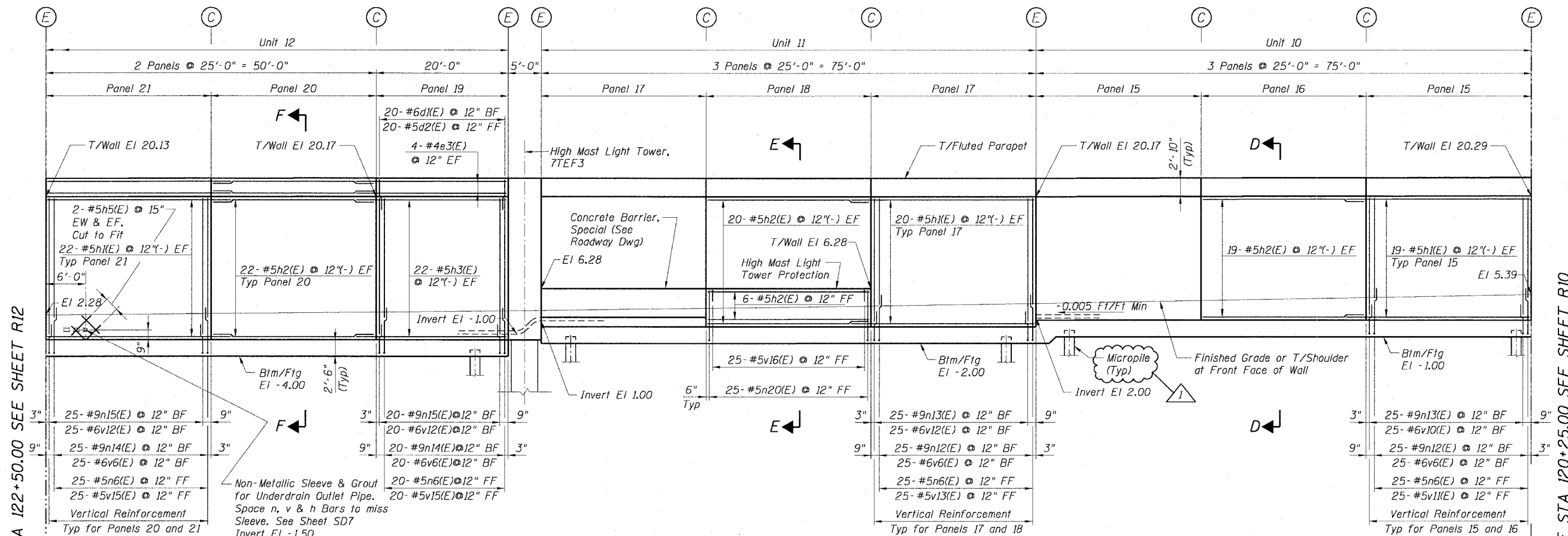


STATE OF ILLINOIS
DEPARTMENT OF TRANSPORTATION

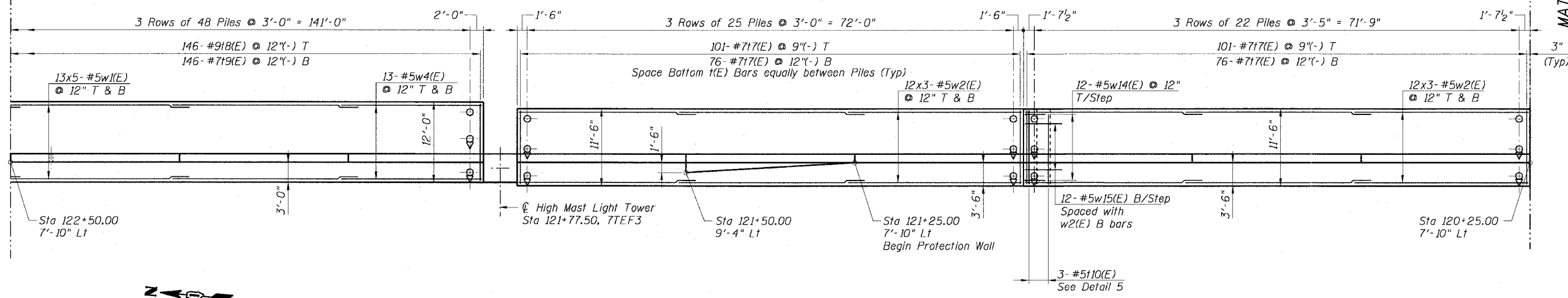
F.A.I. RTE.	SECTION	COUNTY	TOTAL SHEETS	SHEET NO.
90/94/2021-922PT.1-AC	COOK	460	238	
STA.	TO STA.			
FED. ROAD DIST. NO. 1	ILLINOIS	FED. AID PROJECT		

62693



MATCH LINE STA 122+50.00 SEE SHEET R12

MATCH LINE STA 120+25.00 SEE SHEET R10



REVISIONS	
NAME	DATE
MK	01/06/05

Sheet R11 of 28

ILLINOIS DEPARTMENT OF TRANSPORTATION
F.A.I. 90/94 (DAN RYAN EXPRESSWAY)
DETAILED PLAN AND ELEVATION
SOUTH WENTWORTH AVENUE RETAINING WALL
WEST 59TH STREET TO WEST 63RD STREET
SECTION 2021-922PT.1-AC
STATION 111+25.00 TO 126+89.58
COOK COUNTY S.N. 016-W886

SCALE: None DRAWN BY: ET
DATE: October 29, 2004 CHECKED BY: JSS/MM



01/06/2005 02:48:29 PM ms:\p04666\struct\4-civil\90s\111-2500\111r11.dwg