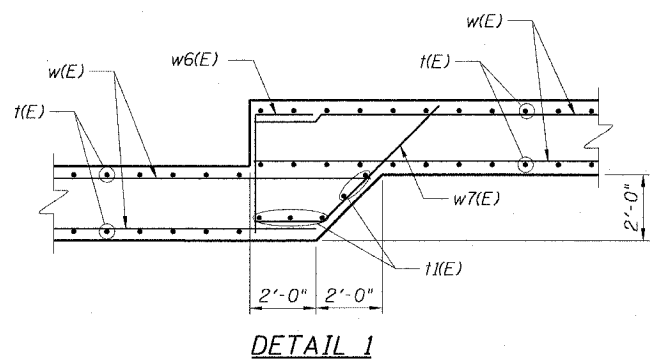


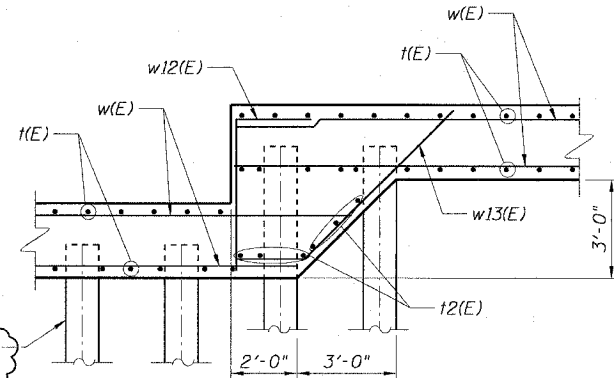
STATE OF ILLINOIS
DEPARTMENT OF TRANSPORTATION

F.A.I. RTE.	SECTION	COUNTY	TOTAL SHEETS	SHEET NO.
90/94	2021-922PT.1-AC	COOK	460	241
STA.	TO STA.			
FED. ROAD DIST. NO. 1	ILLINOIS	FED. AID PROJECT		

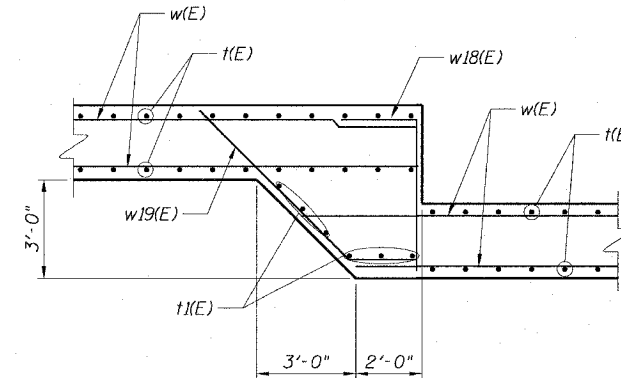
62693



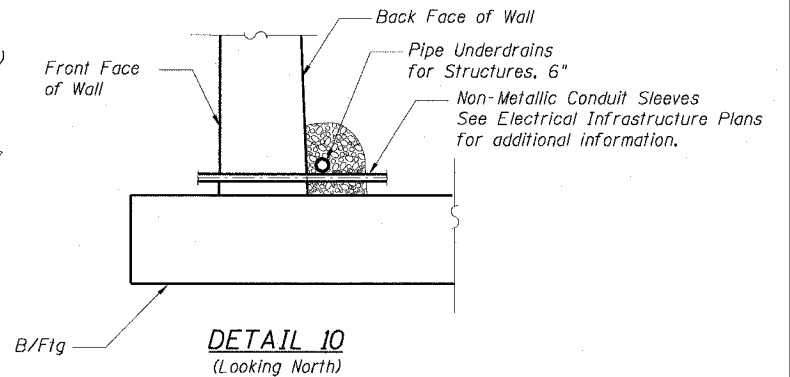
DETAIL 1



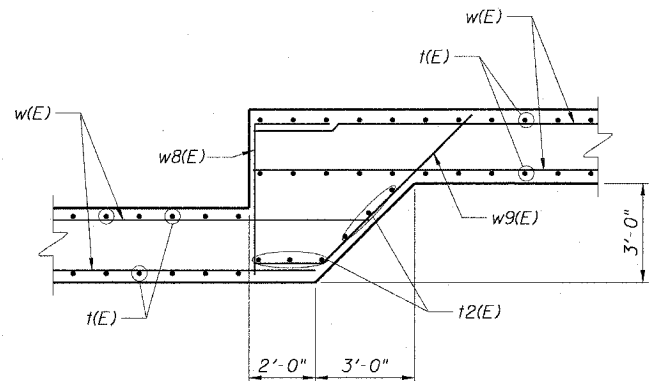
DETAIL 4 (Shown)
DETAIL 4A (Opp Hand)



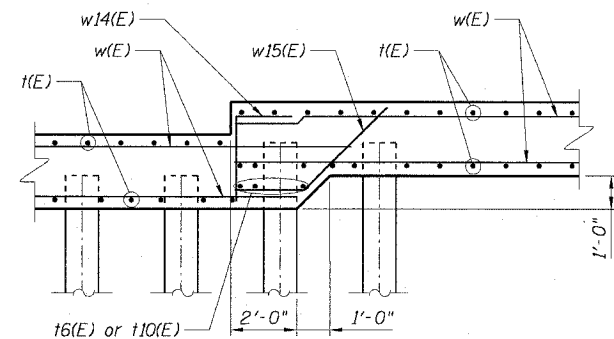
DETAIL 7



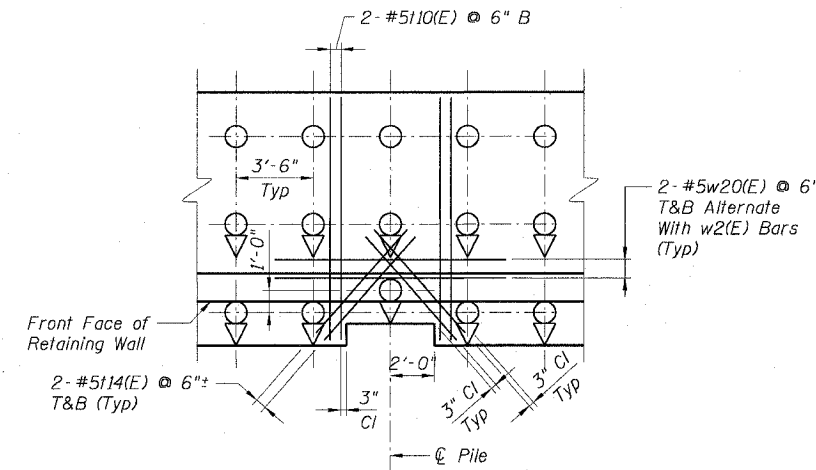
DETAIL 10
(Looking North)



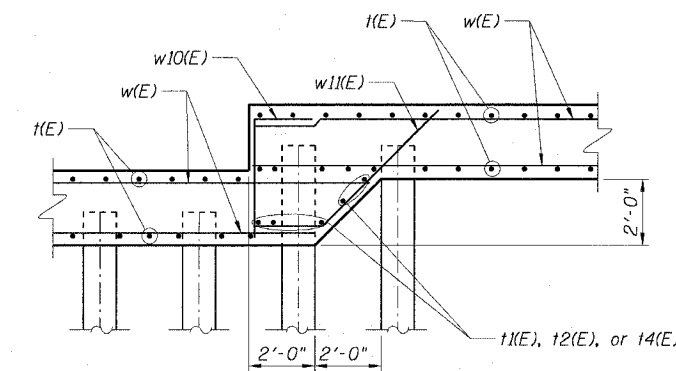
DETAIL 2



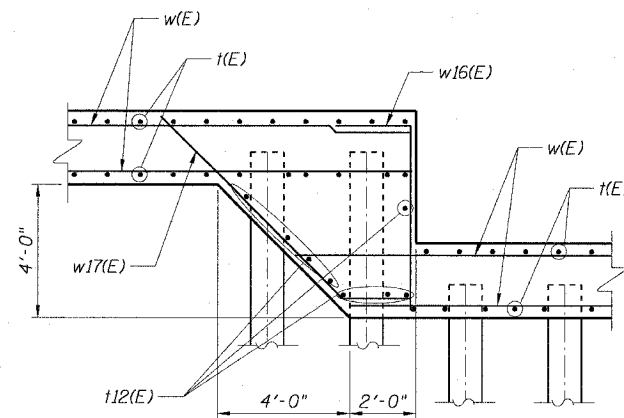
DETAIL 5 (Shown)
DETAIL 5A (Opp Hand)



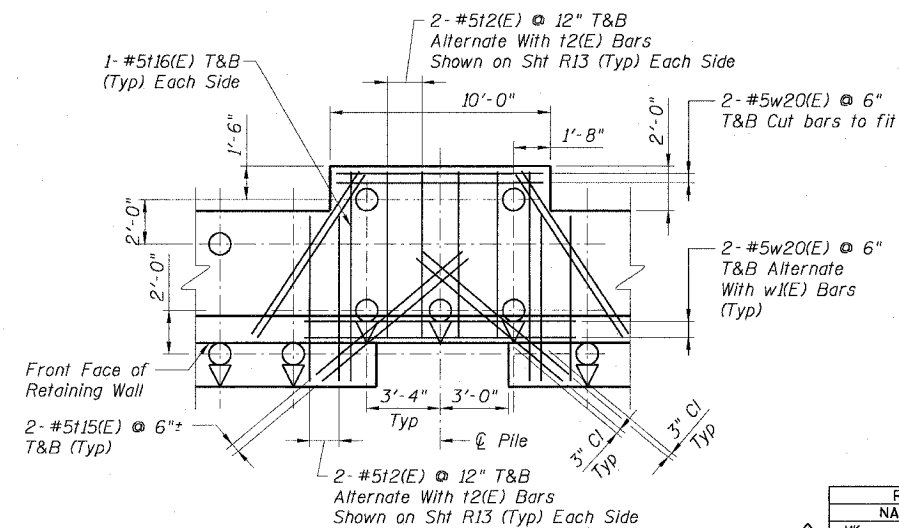
DETAIL 8



DETAIL 3 (Shown)
DETAIL 3A (Opp Hand)



DETAIL 6



DETAIL 9

NOTE:
For location of Details 1 thru 9, see Sheets R7 and R9 thru R13.

REVISIONS	
NAME	DATE
MK	01/06/05