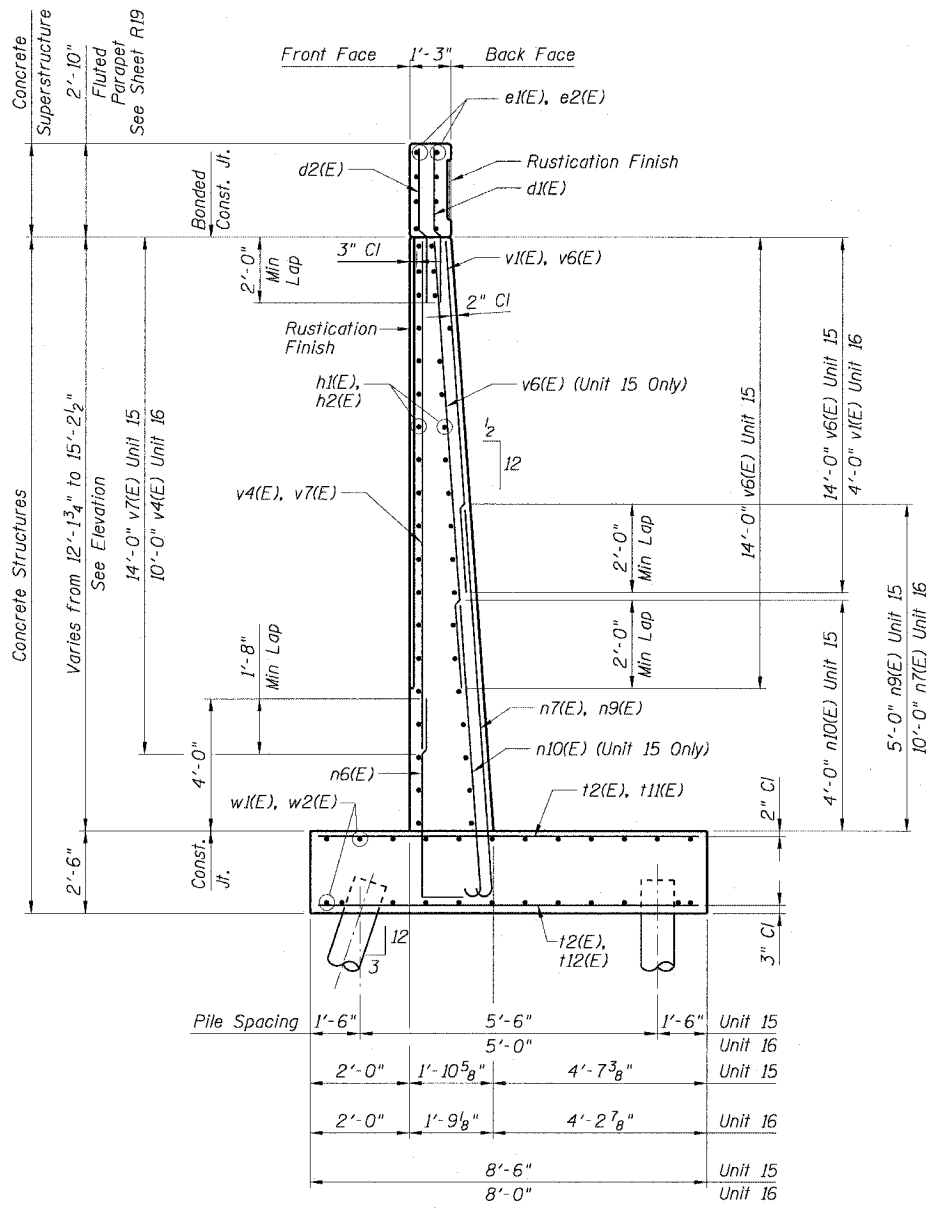


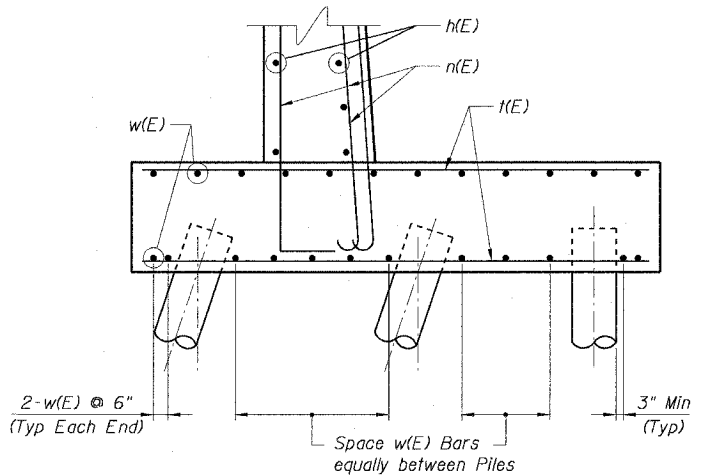
STATE OF ILLINOIS  
DEPARTMENT OF TRANSPORTATION

F.A.I. RTE.	SECTION	COUNTY	TOTAL SHEETS	SHEET NO.
90/94	2021-922PT.1-AC	COOK	460	244
STA.	TO STA.			
FED. ROAD DIST. NO. 1	ILLINOIS	FED. AID PROJECT		

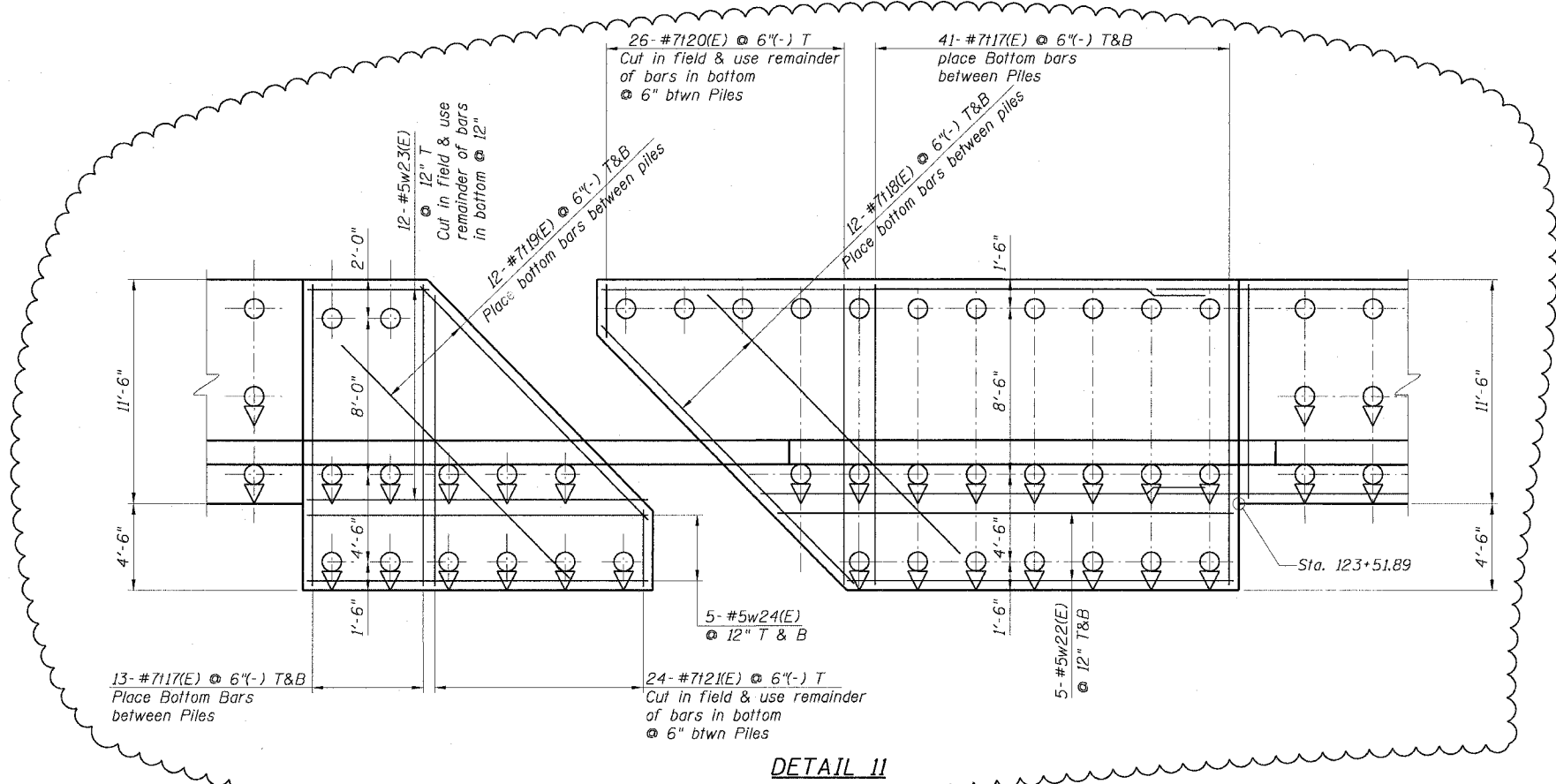
62693



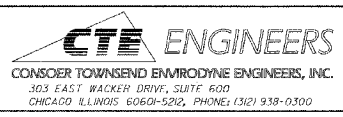
**SECTION G-G**  
Unit 15, Sta 124+75.00 to Sta 125+25.00  
Unit 16, Sta 125+25.00 to Sta 125+75.00



**TYPICAL FOOTING REINFORCEMENT LAYOUT**



**DETAIL II**



REVISIONS	
NAME	DATE
JSS	01/06/05

Sheet R17 of 28  
ILLINOIS DEPARTMENT OF TRANSPORTATION  
F.A.I. 90/94 (DAN RYAN EXPRESSWAY)  
**WALL SECTIONS**  
SOUTH WENTWORTH AVENUE RETAINING WALL  
WEST 59TH STREET TO WEST 63RD STREET  
SECTION 2021-922 PT.1-AC  
STATION 111+25.00 TO 126+89.58  
COOK COUNTY S.N. 016-W886  
SCALE: None DRAWN BY: ET  
DATE: October 29, 2004 CHECKED BY: JSS/MM

01/06/2005 02:48:32 PM m:\p0468\struct\4-off\90\94\w886\10917a20-w886.dwg