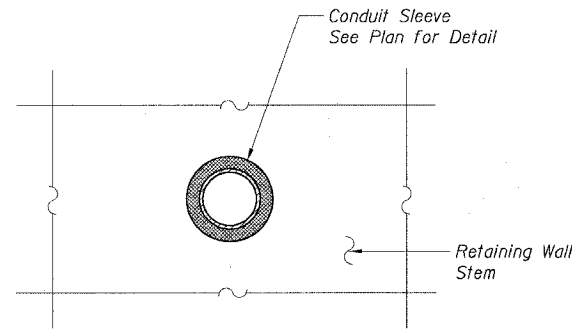


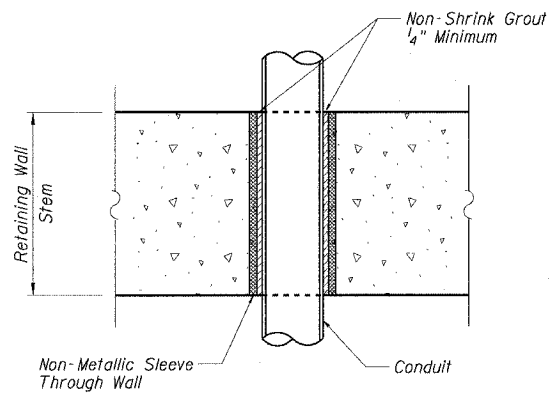
STATE OF ILLINOIS
DEPARTMENT OF TRANSPORTATION

| | | | | |
|-----------------------|------------------|----------|------------------|-----------|
| F.A.I. R.T.E. | SECTION | COUNTY | TOTAL SHEETS | SHEET NO. |
| 90/94 | 2021-922PT.1-A-C | COOK | 460 | 352 |
| STA. | TO STA. | | | |
| FED. ROAD DIST. NO. 1 | | ILLINOIS | FED. AID PROJECT | |

62693



ELEVATION



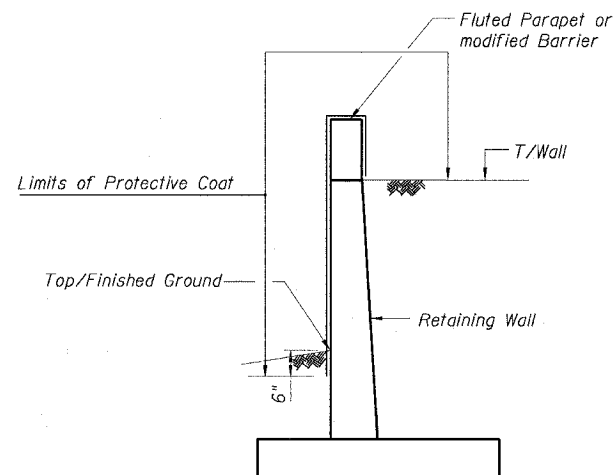
PLAN

NOTES:

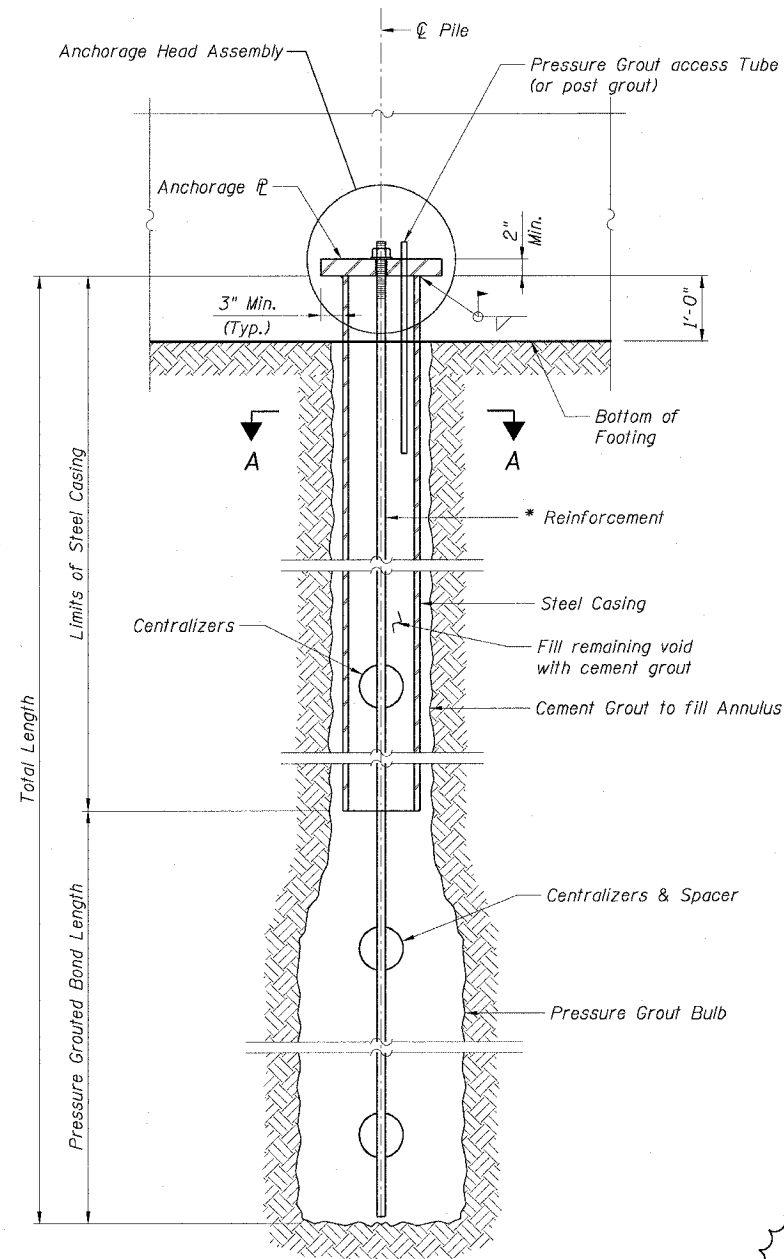
1. The location of conduit sleeves may be adjusted in the field to miss or fall between vertical reinforcement in the retaining wall. One (1) horizontal reinforcing bar in each face may be cut if necessary.
2. Furnishing and installing non-metallic sleeve and non-shrink grout is included in the cost of Concrete Structures.

PENETRATION DETAILS

Pipe Underdrains For Structures, 6"



DETAIL OF LIMITS OF PROTECTIVE COAT



MICRO-PILE DETAIL

DESIGN STRESSES

REINFORCEMENT:

f_{pu} Threaded Rods = 150 ksi (Ultimate Strength)
AASHTO M275

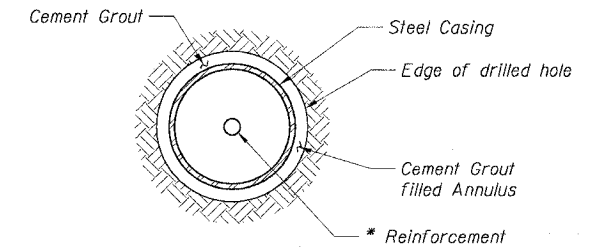
COMPRESSION GROUT:

f'_c Cement Grout = 4.0 ksi (28 day)

BENDING MEMBER:

f_y Steel Casing = 80 ksi
 f_y Anchorage Plate = 50 ksi

* Single bar shown is schematic only.
Multiple bars may be required.
See Special Provisions.



SECTION A-A

SHEET SD7 of 8

| REVISIONS | |
|-----------|----------|
| NAME | DATE |
| MK | 01/06/05 |
| | |
| | |
| | |
| | |
| | |
| | |
| | |
| | |

ILLINOIS DEPARTMENT OF TRANSPORTATION
F.A.I. 90/94 (DAN RYAN EXPRESSWAY)

TYPICAL SECTIONS, ELEVATIONS AND DETAILS
METAL PILE DETAILS
WEST 69TH STREET TO WEST 47TH STREET
COOK COUNTY

SCALE: None
DATE: October 29, 2004

DRAWN BY: RSB
CHECKED BY: RS

file:XP0460_struct\4-ctrl-sec\standard_details\micro-pile_details.dgn 01/06/2005 02:45:05 PM