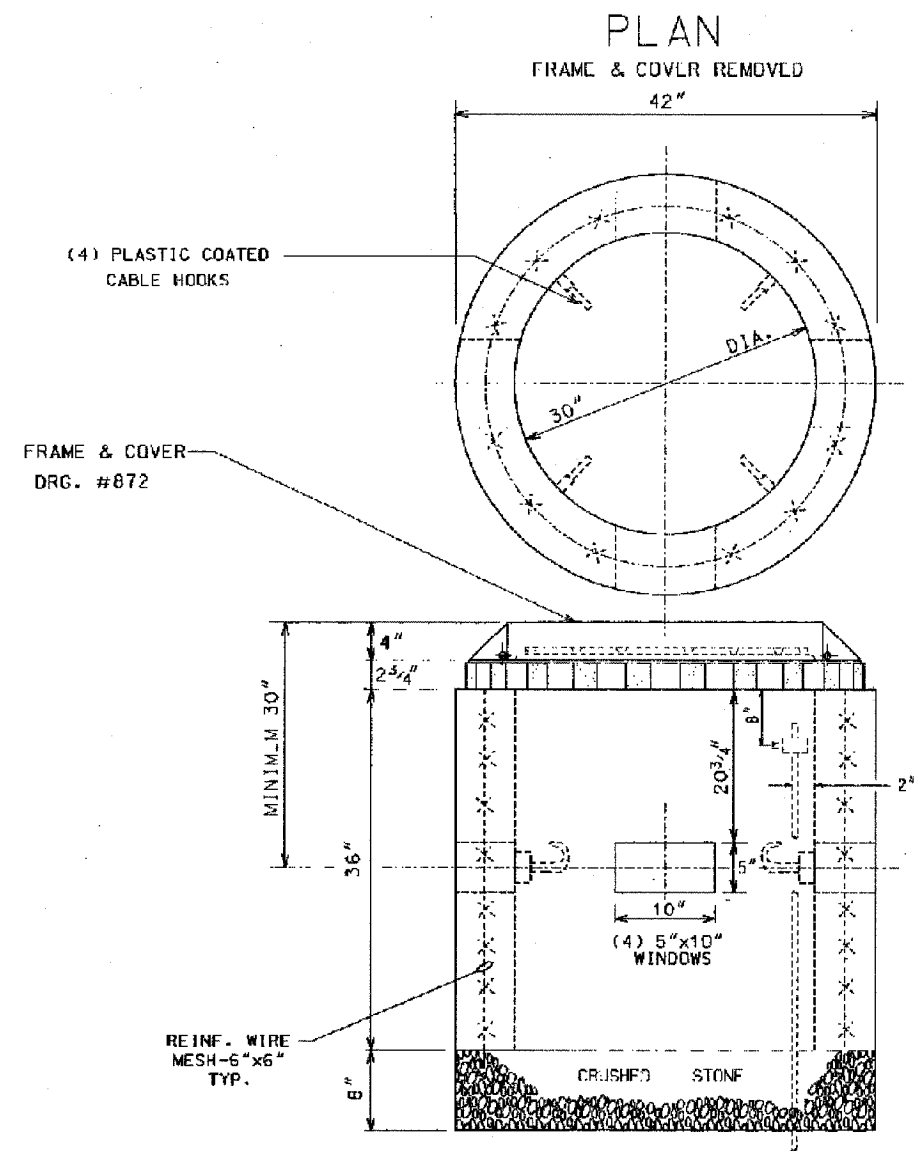


M:\P\40468\CIVIL\4C-CHTR90\STMT\Traffic_Signals\BOE\090807.dwg



COMPLETE COMMODITY CODE NO. 05-6610-5310M

CODE NO.	MATERIALS	SIZE	QUAN.
(1) 05-6610-5310	PRE-CAST HANDHOLE	30"X36"	1
(2) 05-9075-5470	STONE 3/4" CRUSHED	BAG	5
(2) 05-5082-5330	SOND TUBE	30"	1
(2) 05-5082-5342	SOND TUBE	12"	1
(2) 05-3267-2940	CONC. REDI-MIX	CU. YD.	1/2
(2) 57-0770-0000	6" X 6" MESH	36"X10'	1
05-1452-9720	BRICK		24
02-4299-5524	FRAME MANHOLE	24"	1
02-4574-5040	COVER, MANHOLE	24"	1
09 7796 9312	GROUND ROD	3/4"X12'	1
09-2630-3240	GROUND CI AMP		1

- (1) PRE-CAST HANDHOLE SHALL INCLUDE CABLE HOOKS AND CONDUIT KNOCKOUTS.
- (2) THESE ITEMS ARE FOR POURED-IN-PLACE HANDHOLES ONLY.

CONSTRUCTION NOTES:

- 1. 8" BED OF STONE FOR DRAINAGE.
- 2. ALL METALLIC CONDUITS ENTERING HANDHOLE SHALL EXTEND MINIMUM 1" & MAXIMUM 3" INSIDE INNER WALL AND BE EQUIPPED WITH AN APPROVED TYPE OF THREADED GROUNDING BUSHING.

3	01-23-00	ADDED CABLE HOOKS PER COMMISSIONER MURPHY	(S/15)
4	12-18-00	REVISION (CAD)	(S/15)
DATE	REVISION		
30" DIA. CONCRETE HANDHOLE			
CITY OF CHICAGO DEPT. OF STREET AND SANITATION DIVISION OF ELECTRICAL SERVICES			
DESIGNED BY	CHECKED BY	IN CHARGE	DATE
M. PATTON	D. CARPER	DEBARTELLO	1.10.01
DATE	SCALE	DATE	
1.10.01	1/4"	12-18-00	

REVISIONS	NAME	DATE

10/22/2004 09:55:03 AM