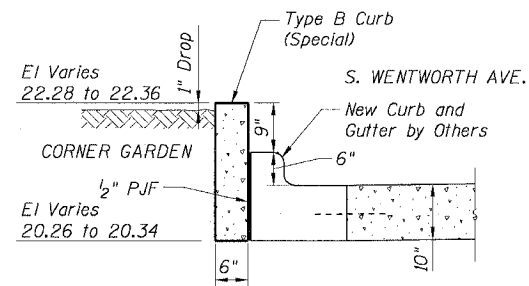
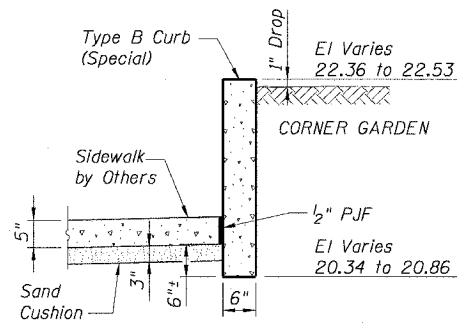


STATE OF ILLINOIS
DEPARTMENT OF TRANSPORTATION

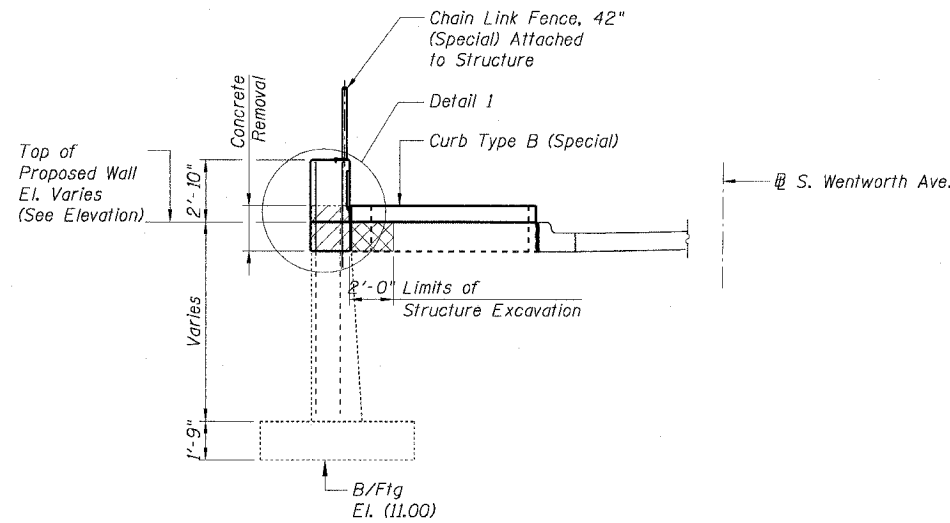
F.A.I. RTE.	SECTION	COUNTY	TOTAL SHEETS	SHEET NO.
90/94	2021-922PT.1-AC	COOK	460	340
STA.	TO STA.			
FED. ROAD DIST. NO. 1	ILLINOIS	FED. AID PROJECT	62693	



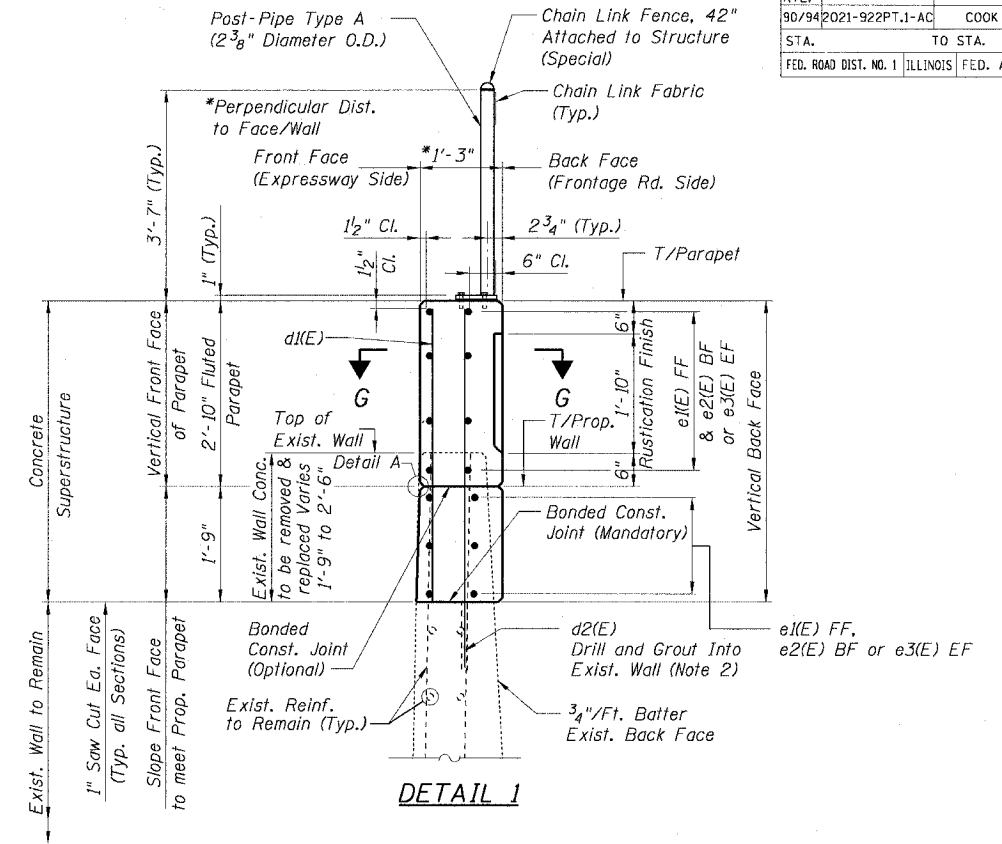
SECTION A-A



SECTION B-B



SECTION C-C
(SECTION F-F SIMILAR)



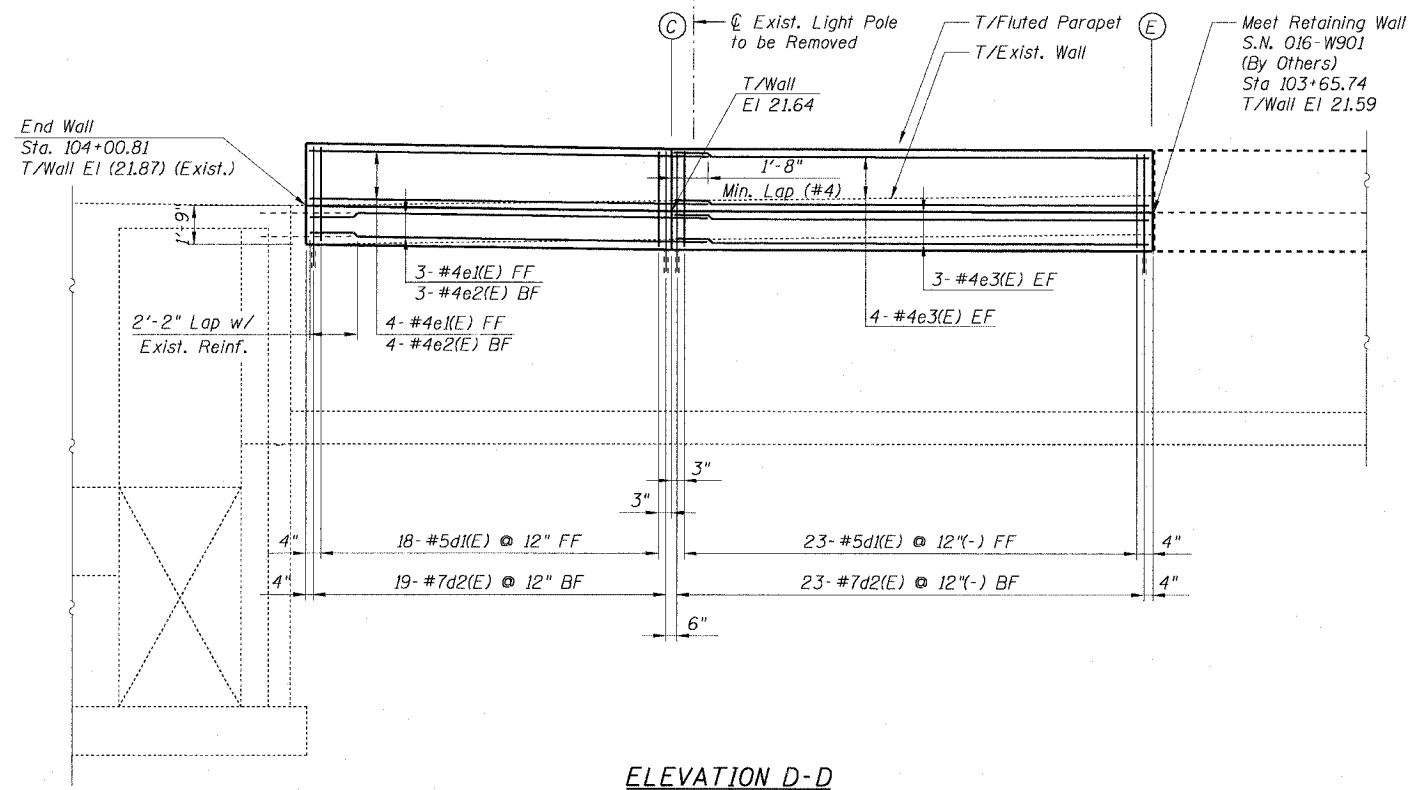
DETAIL 1

LEGEND:

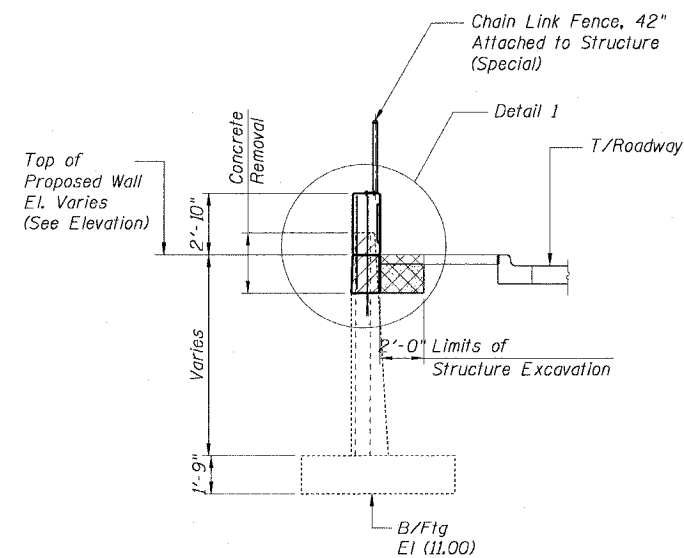
- Structure Excavation
- Porous Granular Embankment
- Concrete Removal

NOTES:

1. Contractor to verify location of existing reinforcement before drilling holes for new dowel bars.
2. Drill & Grout d2(E) Bars in 1 1/8" Dia. drilled holes with a minimum depth of 1'-3", according to Article 584 of the Standard Specifications. (Cost included with Reinforcement Bars, Epoxy Coated)
3. Existing Elevations to be field verified.
4. For Chain Link Fence, Special details, see Sheet SD1.
5. For Section G-G and Detail A, see Sheet CGc3.
5. Work Sheets CGc1 thru CGc3 together.



ELEVATION D-D



SECTION E-E

REVISIONS	
NAME	DATE

CGc2 OF 3

ILLINOIS DEPARTMENT OF TRANSPORTATION
F.A.I. 90/94 (DAN RYAN EXPRESSWAY)
SECTIONS AND DETAILS
SOUTHEAST CORNER GARDEN
SOUTH WENTWORTH AVE. AT WEST 63rd STREET
SECTION 2021-922 PT.1-AC
STATION 103+65.74 TO 104+00.81
COOK COUNTY

SCALE: None
DATE: October 29, 2004
DRAWN BY: CHD
CHECKED BY: DC