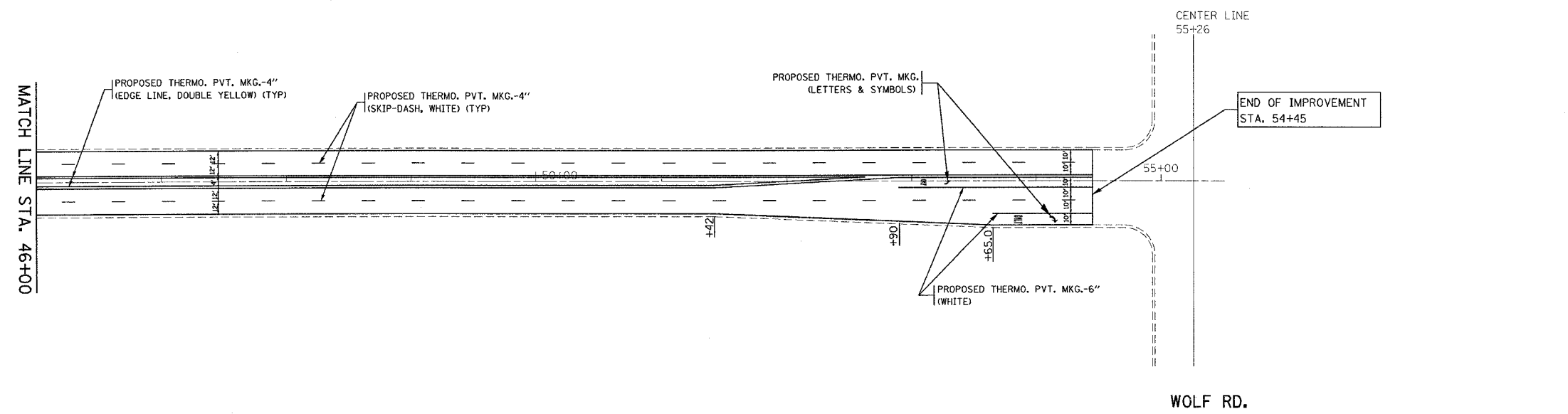
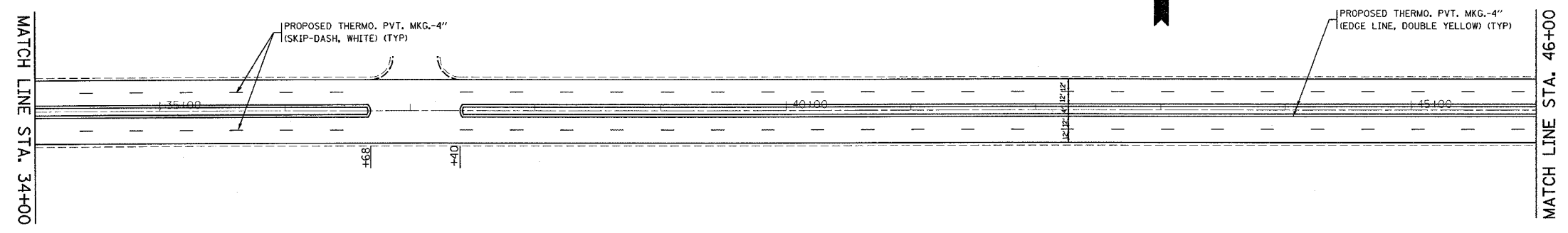


F. A. #	SECTION	COUNTY	TOTAL SHEETS	SHEET NO.
1467	1288 RS	COOK	22	8
STA. 34+00	TO STA. 54+45			
FED. ROAD DIST. NO.	ILLINOIS	FED. AID PROJECT		

C62783



- NOTE:**
1. ALL PAVEMENT MARKING SHALL BE THERMOPLASTIC UNLESS OTHERWISE NOTED. SEE DISTRICT DETAIL TC-13.
  2. RAISED REFLECTIVE PAVEMENT MARKERS SHALL BE USED THROUGHOUT THE IMPROVEMENT LIMITS. DOUBLE LANE LINE MARKERS SHALL BE INSTALLED, SEE DIST. DETAIL TC-11.

REVISIONS	
NAME	DATE

ILLINOIS DEPARTMENT OF TRANSPORTATION

31st STEET

**PAVEMENT MARKING PLAN**

SCALE: VERT. NONE  
 HORIZ. NONE

DATE FEB. 22, 2004

DRAWN BY FRITZ  
 CHECKED BY R.W.

3-FEB-89 1407420  
 ZF4110.016J134688AADDN1  
 LEVELS = 35