

FAI ROUTE	SECTION	COUNTY	TOTAL SHEETS	SHEET NUMBER
VARIOUS	2004-054 BP	COOK	14	3

GENERAL NOTES FOR PAINT

CONTRACT 62791

CLEANING AND PAINTING OF THE EXISTING STRUCTURAL STEEL SHALL BE AS SPECIFIED IN THE SPECIAL PROVISION FOR "CLEANING AND PAINTING EXISTING STEEL STRUCTURES".

A MINIMUM OF FOUR (4) [AT LOCATION 3] ^{2 AND} AND TWO (2) [AT LOCATION 1] AIR MONITORS WILL BE REQUIRED TO MONITOR ABRASIVE BLASTING OPERATIONS PER LOCATION, SEE SPECIAL PROVISIONS FOR CONTAINMENT AND DISPOSAL OF LEAD PAINT CLEANING RESIDUE.

THE SSPC-QP1 AND SSPC-QP2 PAINTING CONTRACTOR CERTIFICATIONS WILL NOT BE REQUIRED FOR THESE BRIDGES.

THE DESIGNATED AREAS CLEANED PER NEAR WHITE BLAST CLEANING SSPC-SP10 AND PER POWER TOOL CLEANED-COMMERCIAL GRADE SHALL BE PAINTED ACCORDING TO THE REQUIREMENTS TO THE PAINT SYSTEM I-OZ/E/U*. THE DESIGNATED AREAS CLEANED PER POWER TOOL CLEANING - MODIFIED SSPC-SP3 SHALL BE PAINTED ACCORDING TO THE REQUIREMENTS OF PAINT SYSTEM 2 - PS/EM/U*. THE COLOR OF THE FINAL FINISH COAT FOR ALL INTERIOR SURFACES SHALL BE GRAY, MUNSELL NO. 58 7/1. THE COLOR OF THE FINAL FINISH COAT FOR THE EXTERIOR AND BOTTOM FLANGE OF THE FASCIA BEAMS SHALL BE REDDISH BROWN MUNSELL NO. 2.5YR 3/4.

ALL ITEMS (SUCH AS, BUT NOT LIMITED TO; CONDUITS, BRACKETS AND DECK DRAINS) ATTACHED TO THE OUTSIDE OF THE FASCIA BEAMS SHOULD BE CLEANED AND PAINTED.

LOCATION 1 (S.N. 016-0394):

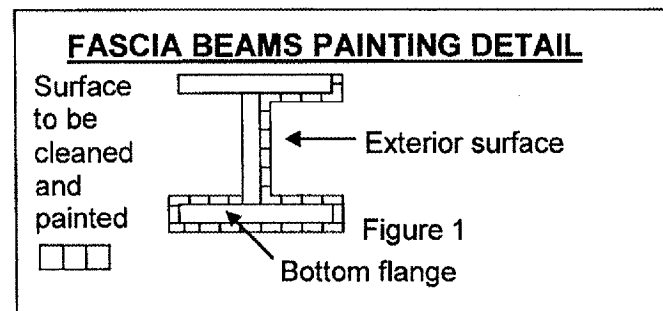
ALL BEAMS, BEARINGS AND OTHER STRUCTURAL STEEL WITHIN FIVE (5) FT. (MEASURED ALONG THE BEAM) OF EITHER SIDE OF THE DECK JOINTS, EXCEPT ONLY 3.5 FEET AT THE ABUTMENT JOINT SHALL BE CLEANED PER NEAR WHITE BLAST CLEANING SSPC-SP10. THE EXTERIOR SURFACES AND TOP AND BOTTOM OF THE BOTTOM FLANGE OF THE FASCIA BEAMS (SEE FIGURE 1) SHALL BE CLEANED PER POWER TOOL CLEANING COMMERCIAL GRADE.

LOCATION 2 (S.N. 016-0761):

ALL BEAMS, BEARINGS AND OTHER STRUCTURAL STEEL WITHIN FIVE (5) FT. (MEASURED ALONG THE BEAM) OF EITHER SIDE OF THE DECK JOINTS SHALL BE CLEANED PER NEAR WHITE BLAST CLEANING SSPC-SP10. THE EXTERIOR SURFACES AND TOP AND BOTTOM OF THE BOTTOM FLANGE OF THE FASCIA BEAMS (SEE FIGURE 1) SHALL BE CLEANED PER POWER TOOL CLEANING COMMERCIAL GRADE.

LOCATION 3 (S.N. 016-0994):

ALL BEAMS, BEARINGS AND OTHER STRUCTURAL STEEL WITHIN FIVE (5) FT. (MEASURED ALONG THE BEAM) OF EITHER SIDE OF THE DECK JOINTS SHALL BE CLEANED PER NEAR WHITE BLAST CLEANING SSPC-SP10. THE EXTERIOR SURFACES AND TOP AND BOTTOM OF THE BOTTOM FLANGE OF THE FASCIA BEAMS (SEE FIGURE 1) AND THE ENTIRE SURFACE OF THE SIDEWALK BRACKETS SHALL BE CLEANED PER POWER TOOL CLEANING COMMERCIAL GRADE.



ILLINOIS DEPARTMENT OF TRANSPORTATION

GENERAL PAINT NOTES

REV.