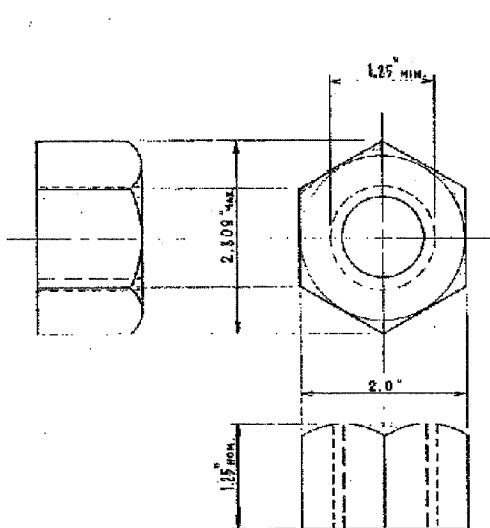
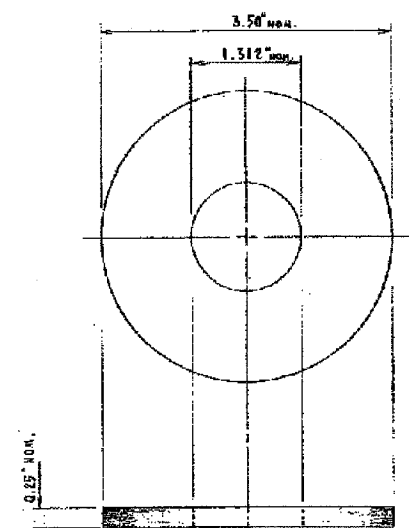


F.A.I. RTE.	SECTION	COUNTY	TOTAL SHEETS	SHEET NO.
90/94	2004-064TS	COOK	40	27
STA.	TO STA.			
FED. ROAD DIST. NO. 1	ILLINOIS	FED. AID PROJECT		

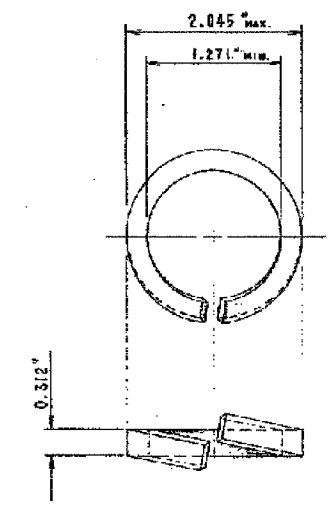
62803



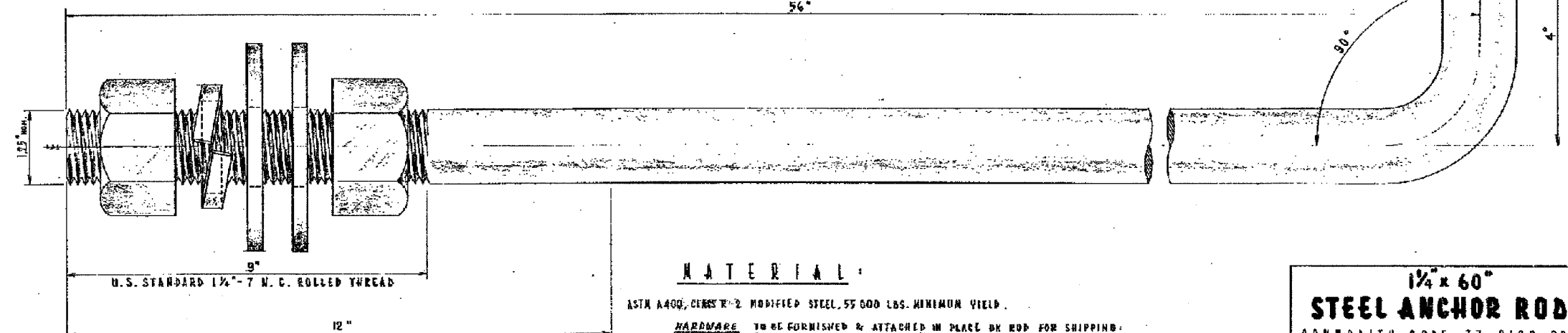
**HEXAGON NUT**  
 AMER. NAT'L. STD. HEAVY HEX. FLAT NUT  
 (ANSI B 18.2.2 - 1972)



**FLAT WASHER**  
 AMER. NAT'L. STD. TYPE "B" SERIES "W"  
 (ANSI B 18.22.1-1965, R1975)



**LOCK WASHER**  
 AMER. NAT'L. STD. HELICAL SPRING LOCK WASHER  
 (ANSI B 18.21.1 - 1972)



U.S. STANDARD 1 1/4" - 7 N.C. ROLLED THREAD

**MATERIAL:**

ASTM A400, CLASS "2" MODIFIED STEEL, 55 000 LBS. MINIMUM YIELD.  
**HARDWARE** TO BE FURNISHED & ATTACHED IN PLACE BY ROD FOR SHIPPING:  
 2 HEX. NUTS, HEAVY, GALV., 1 1/4"  
 2 WASHERS, STEEL, ROUND, GALV., TYPE "B" SERIES "W", 1 1/4"  
 1 WASHER, LOCK, STEEL, GALV., HELICAL SPRING, REGULAR, 1 1/4"  
 BOLT & NUTS SHALL HAVE AN AMERICAN STANDARD CLASS 2 OR 3 FIT.  
 (NUT IS TAPPED OVERSIZE BY 1/32")

A ZINC COATING, 0.0021 INCH IN THICKNESS SHALL BE APPLIED OVER THIS LENGTH AND COVERED WITH HEAVY NO-OX-ID, OR EQUAL, RUST INHIBITING COMPOUND

**1 1/4" x 60"**  
**STEEL ANCHOR ROD**  
 COMMODITY CODE 37-8180-0236

REVISED	CITY OF CHICAGO	
A	DEPT. OF STREETS AND SANITATION	
B	BUREAU OF ELECTRICITY	
C	DIVISION OF ELECTRICAL ENGINEERING	
D	DRAWN	CHECKED
E	ENGINEER	INSPECTOR
F	DESIGNED	APPROVED
G	SCALE	DATE

811

REVISIONS	
NAME	DATE

ILLINOIS DEPARTMENT OF TRANSPORTATION  
 F.A.I. 90/94 (DAN RYAN EXPRESSWAY)  
 TRAFFIC SIGNALS AT 51ST STREET AND  
 WENTWORTH AVENUE / WELLS STREET  
**BOE STANDARD DETAILS**

SCALE: NOT TO SCALE  
 DATE: October 29, 2004  
 DRAWN BY: HAR  
 CHECKED BY: WDS

MAP 40465/01/14 CTR 94 AGG... CTR 94 BBS 51ST ST BOE ST ANCHOR ROD BOE ST ANCHOR ROD BOE ST ANCHOR ROD