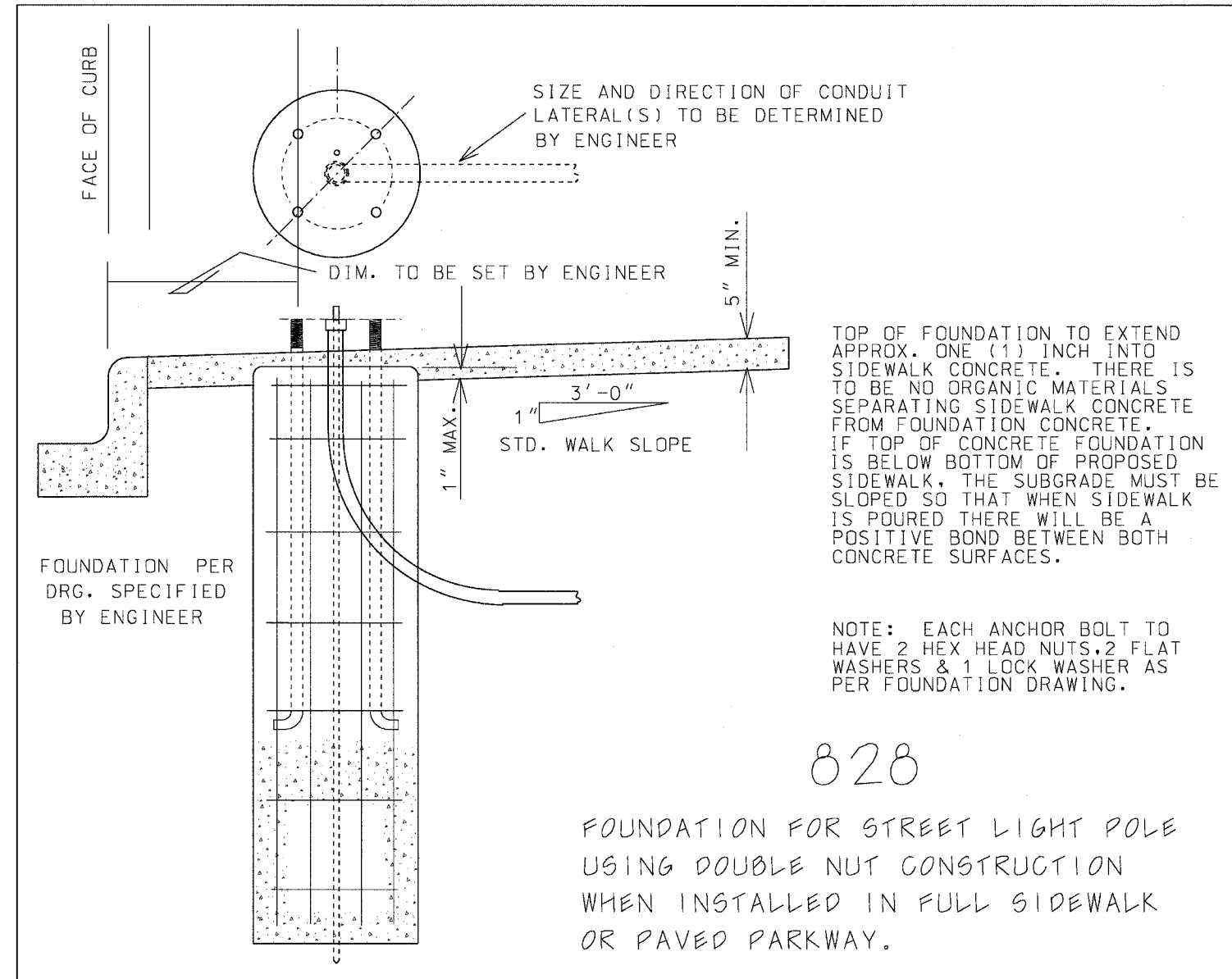


F.A.I. RTE.	SECTION	COUNTY	TOTAL SHEETS	SHEET NO.
90/94	2004-064TS	COOK	40	30
STA.	TO STA.			
FED. ROAD DIST. NO. 1	ILLINOIS	FED. AID PROJECT		

62803



NOTE: EACH ANCHOR BOLT TO HAVE 2 HEX HEAD NUTS, 2 FLAT WASHERS & 1 LOCK WASHER AS PER FOUNDATION DRAWING.

828

FOUNDATION FOR STREET LIGHT POLE
 USING DOUBLE NUT CONSTRUCTION
 WHEN INSTALLED IN FULL SIDEWALK
 OR PAVED PARKWAY.

BOE-8

REVISIONS	
NAME	DATE

ILLINOIS DEPARTMENT OF TRANSPORTATION
 F.A.I. 90/94 (DAN RYAN EXPRESSWAY)
 TRAFFIC SIGNALS AT 51ST STREET AND
 WENTWORTH AVENUE / WELLS STREET
BOE STANDARD DETAILS

SCALE: NOT TO SCALE
 DATE: October 29, 2004
 DRAWN BY: HAR
 CHECKED BY: WDS