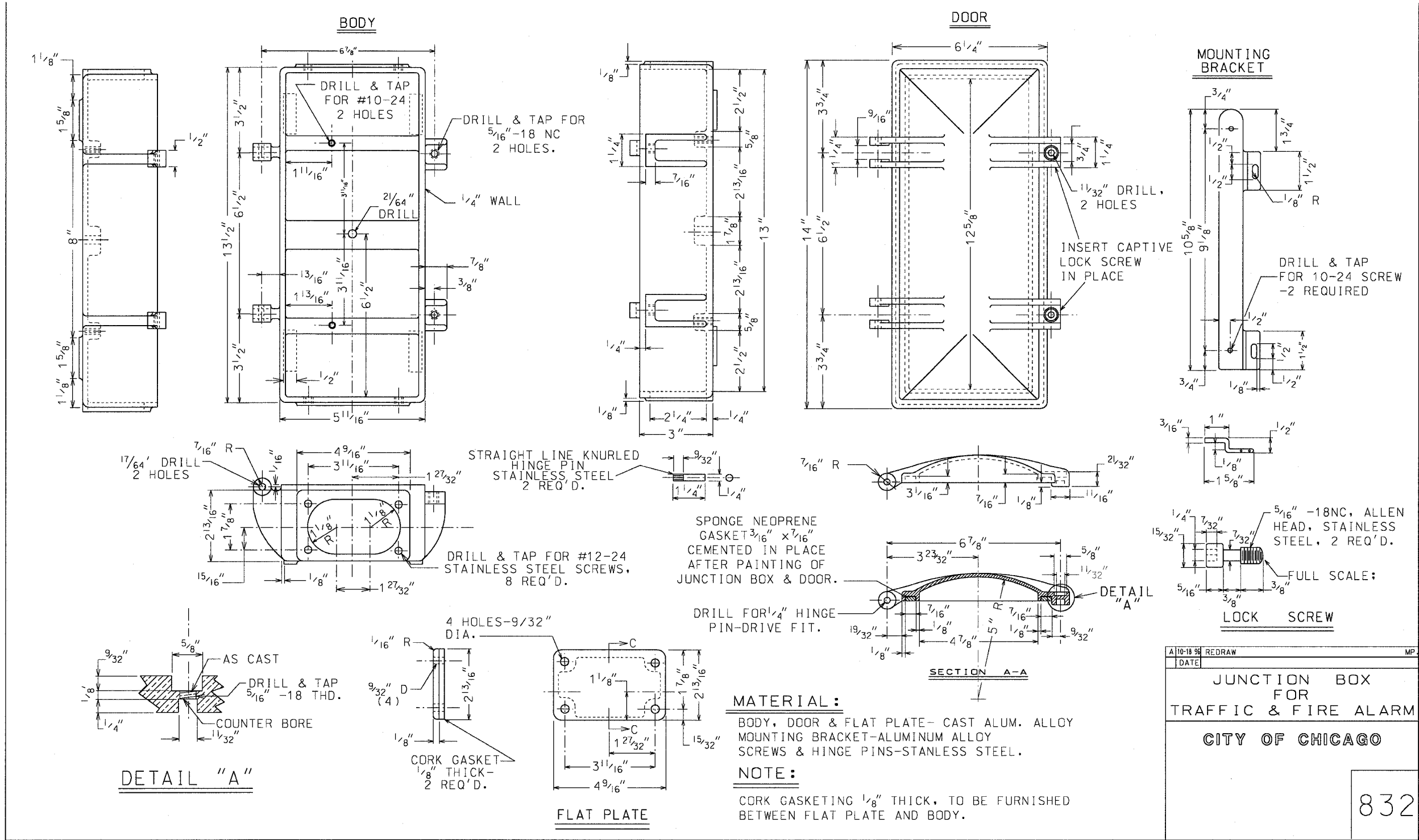


F.A.I. RTE.	SECTION	COUNTY	TOTAL SHEETS	SHEET NO.
90/94	2004-064TS	COOK	40	31
STA.	TO STA.			
FED. ROAD DIST. NO. 1 ILLINOIS FED. AID PROJECT				

62803



A 10-18 98	REDRAW	MP
DATE		
JUNCTION BOX FOR TRAFFIC & FIRE ALARM		
CITY OF CHICAGO		
		832

REVISIONS	
NAME	DATE

ILLINOIS DEPARTMENT OF TRANSPORTATION
 F.A.I. 90/94 (DAN RYAN EXPRESSWAY)
 TRAFFIC SIGNALS AT 51ST STREET AND
 WENTWORTH AVENUE / WELLS STREET

BOE STANDARD DETAILS

SCALE: NOT TO SCALE DRAWN BY: HAR
 DATE: October 29, 2004 CHECKED BY: WDS



M:\P\040606\040606-01\94-064-TS\401-CIP\989-5181-01\BOE-STANDARD\04060602A.DWG