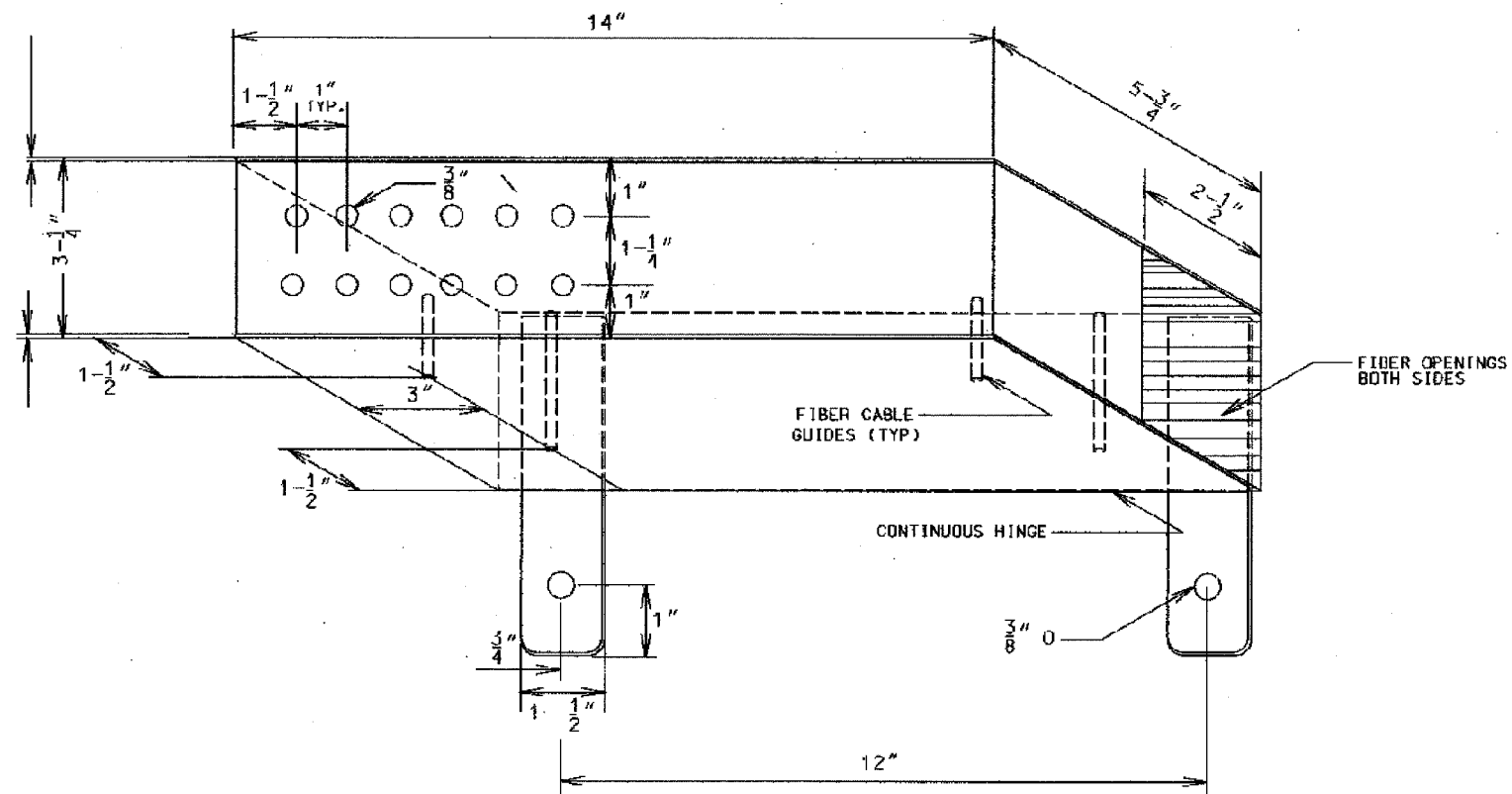


F.A.I. RTE.	SECTION	COUNTY	TOTAL SHEETS	SHEET NO.
90/94	2004-064TS	COOK	40	36
STA.	TO STA.			
FED. ROAD DIST. NO. 1		ILLINOIS	FED. AID PROJECT	
62803				



FIBER OPTIC PATCH PANEL
FOR CITY OF CHICAGO
TRAFFIC SIGNAL CONTROLLER

THIS PANEL WAS SUPPLIED FOR C.B.D. INTERCONNECT
AND IS TO BE THE STANDARD FOR ALL CITY INSTALLATIONS

FIBER OPTIC PATCH PANEL

CITY OF CHICAGO
DEPT. OF STREET AND SANITATION
BUREAU OF ELECTRICITY
DIVISION OF ELECTRIC ENGINEERING

DRAFTSMAN ROBERT IVY	CHIEF DRAFTSMAN ROBERT CARTER	ENGINEER WALTER THOMPKA
SUPERVISING ENGINEER W. J. [Signature]	ELEC. DESIGN ENGR. [Signature]	
ENGINEER OF ELECTRICAL [Signature]		DWG. NO. 909
DEPT. Supt. OF ELECTRICITY [Signature]	DEPUTY COMMISSIONER Brian J. Murphy	DATE: 11-01-02
SIZE: 1	SCALE:	

BOE-14

REVISIONS	
NAME	DATE

ILLINOIS DEPARTMENT OF TRANSPORTATION
F.A.I. 90/94 (DAN RYAN EXPRESSWAY)
TRAFFIC SIGNALS AT 51ST STREET AND
WENTWORTH AVENUE / WELLS STREET

BOE STANDARD DETAILS

SCALE: NOT TO SCALE
DATE: October 29, 2004
DRAWN BY: HAR
CHECKED BY: WDS