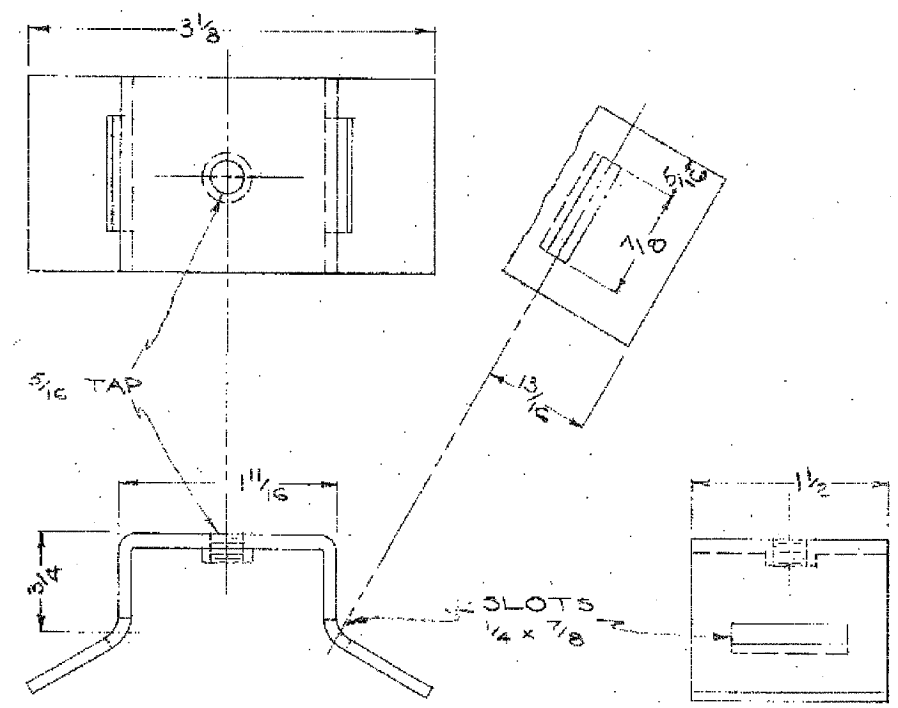


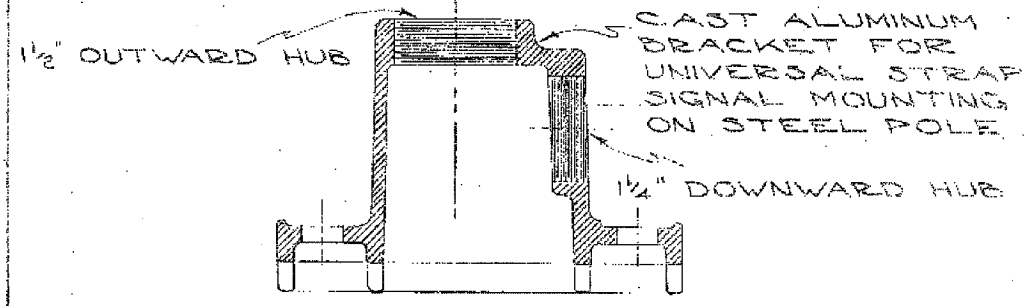
F.A.I. RTE.	SECTION	COUNTY	TOTAL SHEETS	SHEET NO.
90/94	2004-064TS	COOK	40	38
STA.	TO STA.			
FED. ROAD DIST. NO. 1 ILLINOIS FED. AID PROJECT				
62803				

BANDING FITTING FOR POLE MOUNTING JUNCTION BOX



MATERIAL: STAINLESS STEEL - 4 1/8 x 1/2 x 3/32

BANDING FITTING FOR POLE MOUNTING SIGNALS



MATERIAL: CAST ALUMINUM

CROUSE HINDS
 TL-3501-WITHOUT DOWNWARD HUB
 TL-3502 WITH 1/4" DOWNWARD HUB

BANDING FITTINGS FOR POLE MOUNTING TRAFFIC SIGNAL

CITY OF CHICAGO
 DEPT. OF STREET AND SANITATION
 DIVISION OF ELECTRICAL ENGINEERING

11984

BOE-16

REVISIONS	
NAME	DATE

ILLINOIS DEPARTMENT OF TRANSPORTATION
 F.A.I. 90/94 (DAN RYAN EXPRESSWAY)
 TRAFFIC SIGNALS AT 51ST STREET AND
 WENTWORTH AVENUE / WELLS STREET

BOE STANDARD DETAILS

SCALE: NOT TO SCALE
 DATE: October 29, 2004

DRAWN BY: HAR
 CHECKED BY: WDS