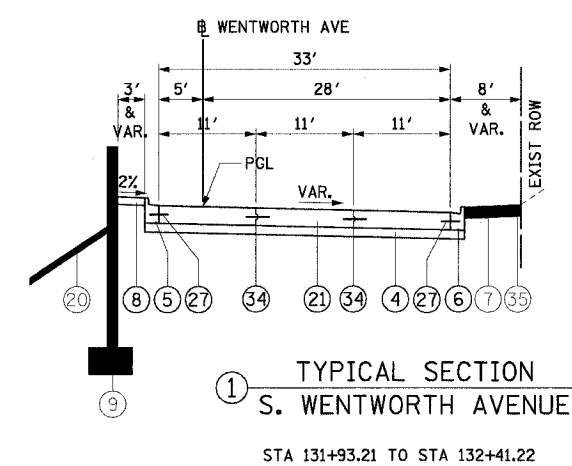
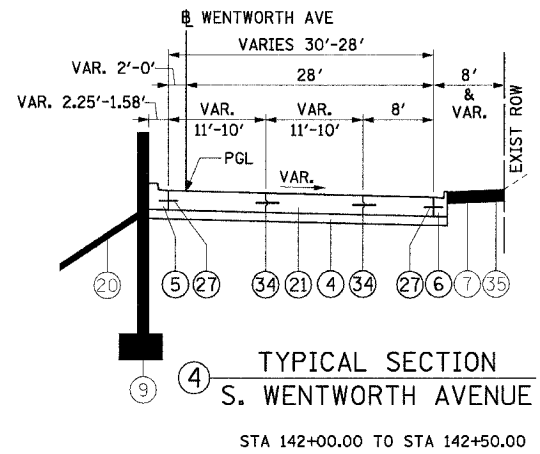


F.A.I. RTE.	SECTION	COUNTY	TOTAL SHEETS	SHEET NO.
90/94	2004-075RS	COOK	65	11
STA.		TO STA.		
FED. ROAD DIST. NO. 1 ILLINOIS FED. AID PROJECT				

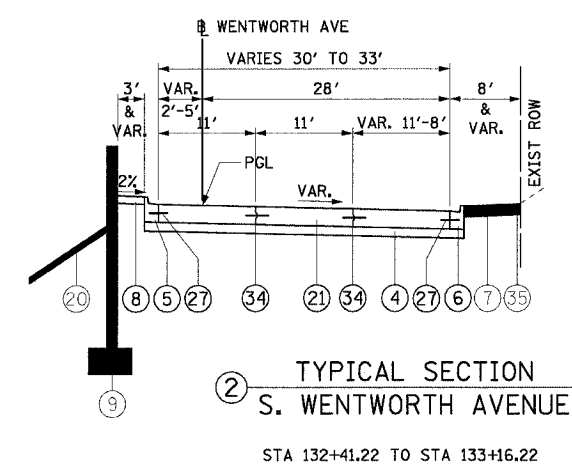
62814



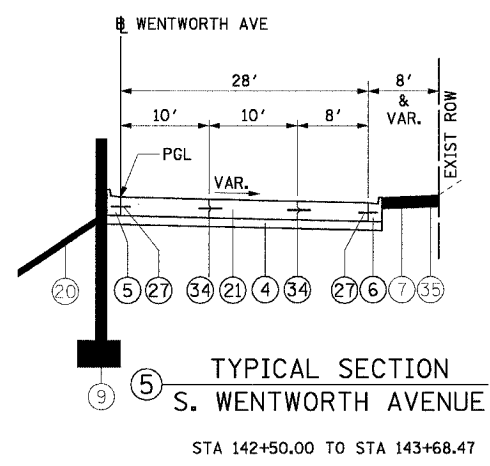
① TYPICAL SECTION
S. WENTWORTH AVENUE
STA 131+93.21 TO STA 132+41.22



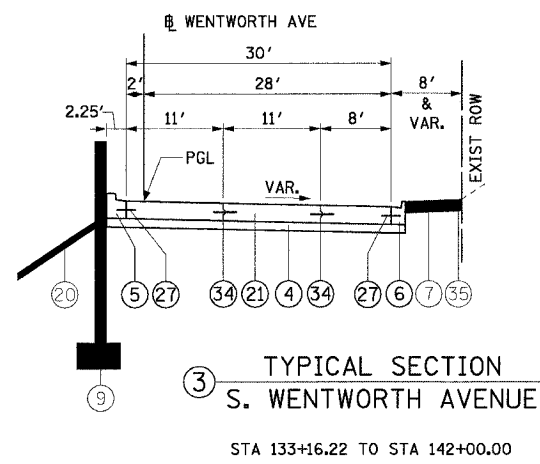
④ TYPICAL SECTION
S. WENTWORTH AVENUE
STA 142+00.00 TO STA 142+50.00



② TYPICAL SECTION
S. WENTWORTH AVENUE
STA 132+41.22 TO STA 133+16.22



⑤ TYPICAL SECTION
S. WENTWORTH AVENUE
STA 142+50.00 TO STA 143+68.47



③ TYPICAL SECTION
S. WENTWORTH AVENUE
STA 133+16.22 TO STA 142+00.00

PROPOSED LEGEND:

- ④ SUB-BASE GRANULAR MATERIAL, TYPE B, 8"
 - ⑤ COMBINATION CONCRETE CURB AND GUTTER, TYPE B-6.12 (MODIFIED)
 - ⑥ COMBINATION CONCRETE CURB AND GUTTER, TYPE B-V.12
 - ⑦ PORTLAND CEMENT CONCRETE SIDEWALK, 5" (BY OTHERS)
 - ⑧ CONCRETE MEDIAN SURFACE, 5" (MODIFIED)
 - ⑨ RETAINING WALL (BY OTHERS)
 - ⑩ TEMPORARY PAVEMENT (12" PCC OR 14" BITUMINOUS)
 - ⑪ SEEDING, CLASS 2A / TOPSOIL FURNISH AND PLACE, 4" (BY OTHERS)
 - ⑫ PORTLAND CEMENT CONCRETE PAVEMENT, 10" (JOINTED)
 - ⑬ TIE BARS - 24" LONG, #6 EPOXY COATED BARS AT 24" CENTERS
 - ⑭ AGGREGATE BASE COURSE, TYPE B, 4"
 - ⑮ BITUMINOUS SHOULDERS, 1 1/2"
 - ⑯ KEYED LONGITUDINAL CONSTRUCTION JOINT - 24" LONG, #6 EPOXY COATED DEFORMED TIE BARS AT 24" CENTERS
 - ⑰ SAND CUSHION, 3" (BY OTHERS)
- WORK TO BE DONE BY OTHERS

BITUMINOUS MIXTURE REQUIREMENT

ITEM	AC TYPE	VOIDS	RAP %
BITUMINOUS SHOULDERS, 1 1/2"	PG 58-22	2% @ 30 Gyr	50
POLYMERIZED BIT. CONC. SURFACE COURSE, SUPERPAVE, MIX D, NSO, 1 3/4"	PG 64-22	4% @ 50 Gyr	15
BITUMINOUS CONCRETE BASE COURSE, SUPERPAVE, 12 1/4"	PG 58-22	2% @ 50 Gyr	50

REVISIONS	
NAME	DATE

ILLINOIS DEPARTMENT OF TRANSPORTATION
F.A.I. 90/94 (DAN RYAN EXPRESSWAY)
59th ST TO 57th ST (WENTWORTH AVENUE)

PROPOSED TYPICAL SECTIONS
WENTWORTH AVENUE

SCALE: H:1"=10' V:1"=5'
DATE: OCTOBER 29, 2004

DRAWN BY: AMM
CHECKED BY: JAL

m:\p04\68\civil\4\civil\p04\68\9020\sh\typical_sections\902032a.dwg 08:46:39 AM 10/27/2004