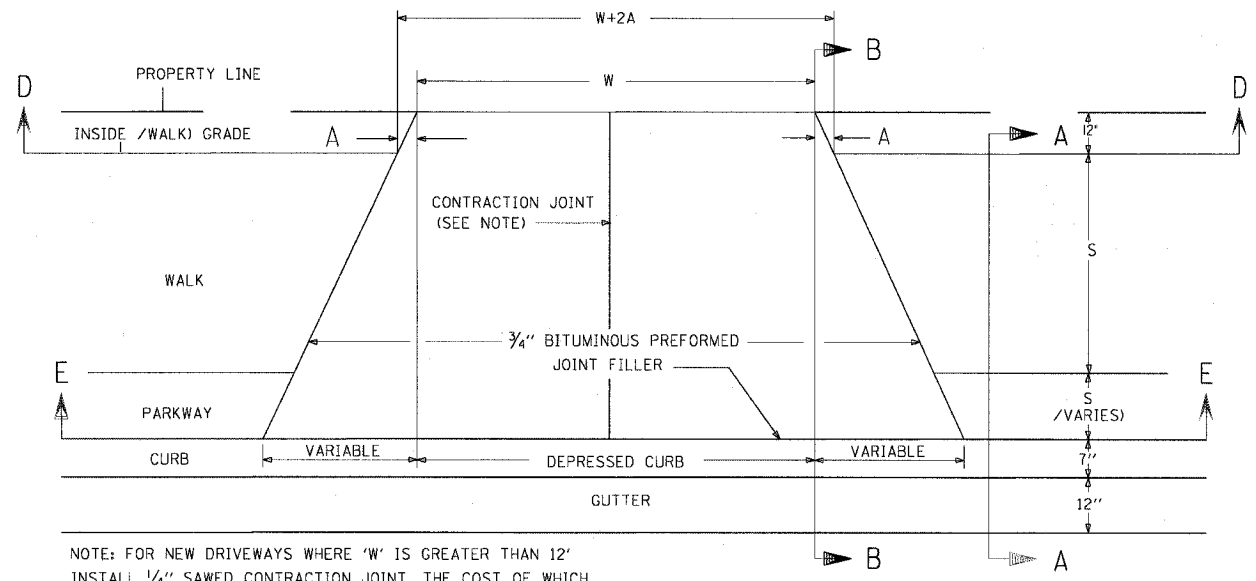
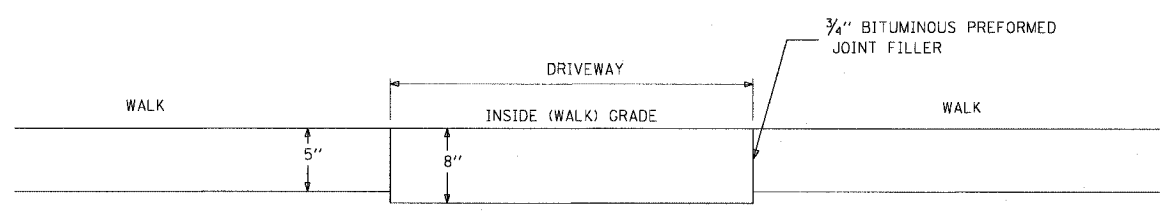


DETAIL OF DRIVEWAY CONSTRUCTION

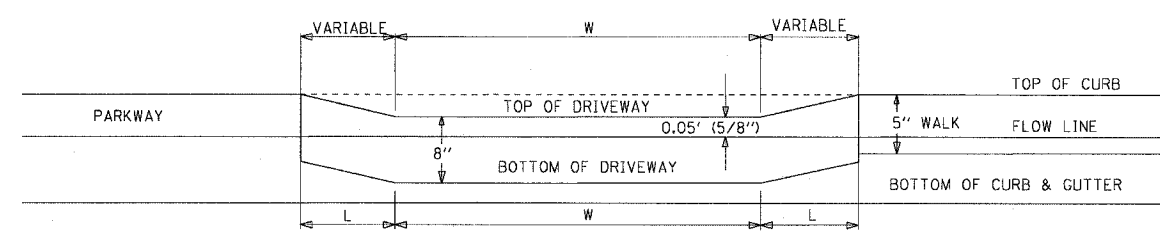


NOTE: FOR NEW DRIVEWAYS WHERE 'W' IS GREATER THAN 12' INSTALL 1/4" SAWED CONTRACTION JOINT. THE COST OF WHICH SHALL BE INCLUDED IN THE COST OF DRIVEWAY CONSTRUCTION.

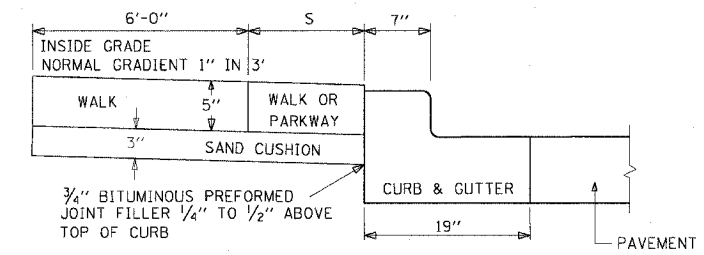
PLAN VIEW



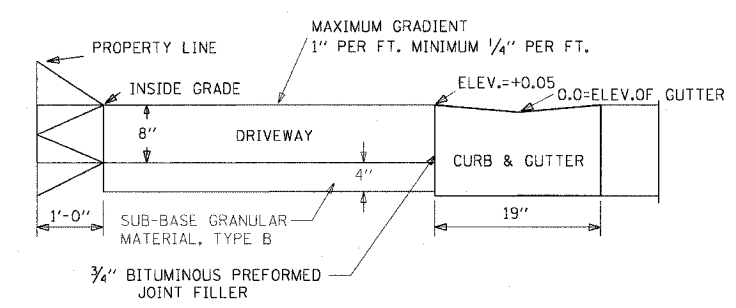
SECTION AT D-D



SECTION AT E-E



SECTION AT A-A

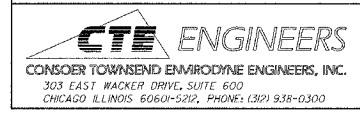


SECTION AT B-B

DESIRABLE MINIMUM FLARE WIDTHS FOR VARIOUS CURB HEIGHTS	
CURB HEIGHT (INCHES)	FLARE WIDTH (INCHES)
3	30
4	40
5	50
6	60
7	70
8	80
9	90

NOTE:  
THE SLOPE OF THE DRIVEWAY IN THE ONE FT. SPACE ADJACENT TO THE PROPERTY LINE MAY BE ALTERED TO MEET EXISTING CONDITIONS.

L = LENGTH OF WALK TO BE ADJUSTED OR REBUILT  
W = WIDTH OF DRIVEWAY AT PROPERTY LINE  
S = WIDTH OF WALK OR PARKWAY



REVISIONS	
NAME	DATE

ILLINOIS DEPARTMENT OF TRANSPORTATION  
F.A.I. 90/94 (DAN RYAN EXPRESSWAY)  
59th ST TO 57th ST (WENTWORTH AVENUE)  
  
CITY STANDARD DETAILS  
DETAIL OF DRIVEWAY CONSTRUCTION  
  
SCALE: NONE  
DATE: OCTOBER 29, 2004  
DRAWN BY: CDOT  
CHECKED BY:

11/23/2004 08:31:29 AM