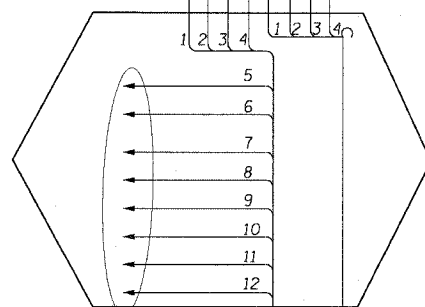
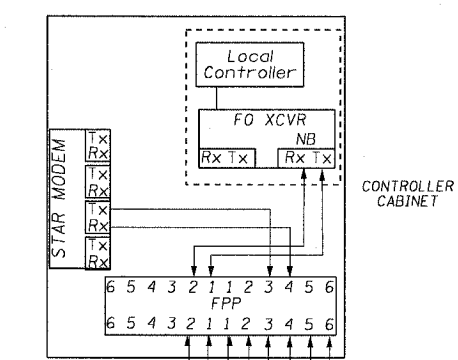


NOTE:

THIS CONTRACTOR SHALL FURNISH AND INSTALL OPTICAL SPLICES AND ENCLOSURE, OPTICAL TERMINATIONS, PIGTAILS, PATCHCORDS, MULTIMODE TO SINGLE MODE CONVERTORS, FIBER PATCH PANEL, AND HARDWARE AND SOFTWARE REQUIRED FOR A FULLY OPERATIONAL SYSTEM AND FUTURE CONNECTION TO A CLOSED LOOP SYSTEM. THE COST OF THIS WORK SHALL BE INCLUDED IN "CABINET WORK, SPLICING, TESTING AND MISC." ITEM AND SEPARATE PAYMENT WILL NOT BE MADE.

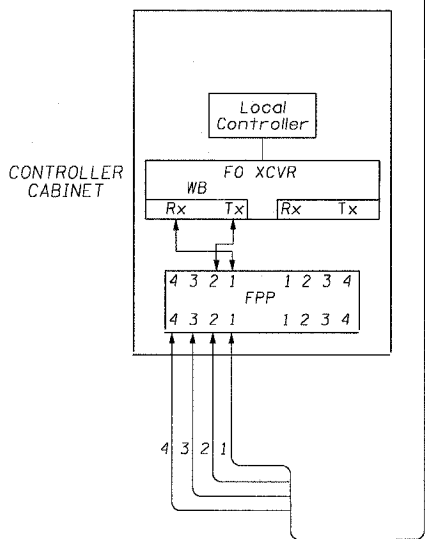
WELLS ST @ 63TH ST



COIL FIBER ENDS WITHIN SPLICE ENCLOSURE

HYBRID FIBER OPTIC CABLE 6SM/6MM TO CONTROLLER AT 59TH AND WELLS ST (INSTALLED BY IDOT CONTRACT 9C - 62693 FINAL CONNECTION TO THIS CONTROLLER BY IDOT CONTRACT 9B8-62802)

WENTWORTH AVE @ 63TH ST



LEGEND

- FIBER OPTIC CABLE
- ADD/DROP FIBER OPTIC MODEM
- MANHOLE
- MASTER TRAFFIC CONTROLLER
- LOCAL TRAFFIC CONTROLLER
- FIBER OPTIC SPLICE, OUTSIDE PLANT CABLE NUMBER INDICATES FIBER STRAND IDENTIFIER
- FIBER PATCH PANEL
- FIBER OPTIC CONNECTORIZED PATCH CORD
- FIBER OPTIC CONNECTORIZED PIGTAIL, SPLICED TO OUTSIDE PLANT CABLE

FIBER SCHEDULE

FIBER	FUNCTION	FIBER TYPE	FIBER COLOR	BUFFER TUBE
1	CONTROLLER MODEM	MULTIMODE	BLUE	BLUE
2	CONTROLLER MODEM	MULTIMODE	ORANGE	BLUE
3	CABINET SPARE	MULTIMODE	GREEN	BLUE
4	CABINET SPARE	MULTIMODE	BROWN	BLUE
5	UNUSED	MULTIMODE	SLATE	BLUE
6	UNUSED	MULTIMODE	WHITE	BLUE
7	UNUSED	SINGLE MODE	BLUE	ORANGE
8	UNUSED	SINGLE MODE	ORANGE	ORANGE
9	UNUSED	SINGLE MODE	GREEN	ORANGE
10	UNUSED	SINGLE MODE	BROWN	ORANGE
11	UNUSED	SINGLE MODE	SLATE	ORANGE
12	UNUSED	SINGLE MODE	WHITE	ORANGE

REVISIONS	
NAME	DATE

MAY-14-2004 09:32:51 AM