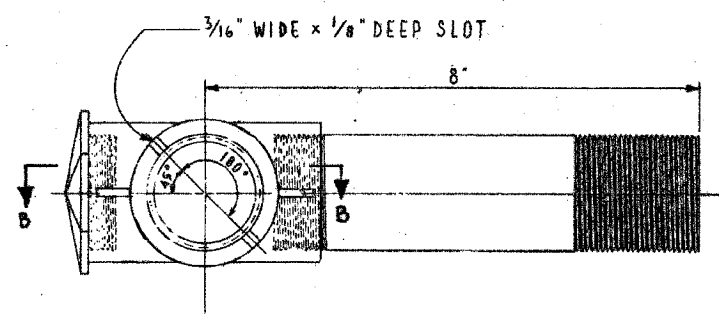
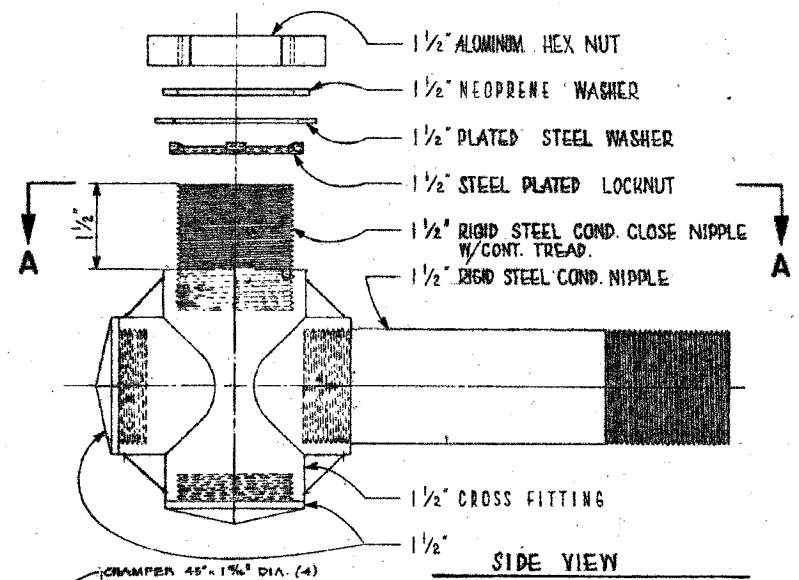


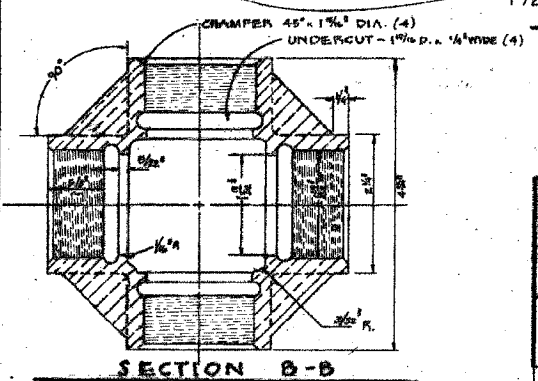
F.A.I. RTE.	SECTION	COUNTY	TOTAL SHEETS	SHEET NO.
90/94	2004-099TS	COOK	65	35
STA.		TO STA.		
FED. ROAD DIST. NO. 1		ILLINOIS	FED. AID PROJECT	
62840				



TOP VIEW A-A



SIDE VIEW



SECTION B-B

**TRAFFIC SIGNAL BRACKET ARM ASSEMBLY**

CITY OF CHICAGO  
DEPT. OF STREETS & SANITATION  
BUREAU OF ELECTRICITY  
DIVISION OF ELECT. ENGINEERING

REVISED	DRAWN	CHECKED	ENGINEER
A   1-23-81	E. GEBULIS	DA. /ms	L. QUOC
B   1X - C - 286	BRG. OF ELEC.		100. 80.
C	DEPT. OF CONST.		<b>741</b>
D	DEPT. OF		
E	Charles P. Buckley		
F	SIZE: 1/2" x 1"	SCALE: 1/2" = 1"	DATE: 8-21-74

DELETE SET SCREWS
ADDED SECTION B-B

REVISIONS	
NAME	DATE

ILLINOIS DEPARTMENT OF TRANSPORTATION  
F.A.I. 90/94 (DAN RYAN EXPRESSWAY)  
TRAFFIC SIGNALS AT 63RD STREET AND  
WENTWORTH AVENUE/ WELLS STREET  
BOE STANDARD DETAILS

SCALE: NOT TO SCALE      DRAWN BY: HAR  
DATE: November 05, 2004      CHECKED BY: WDS