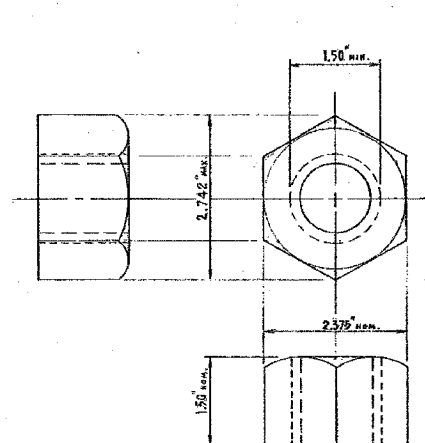
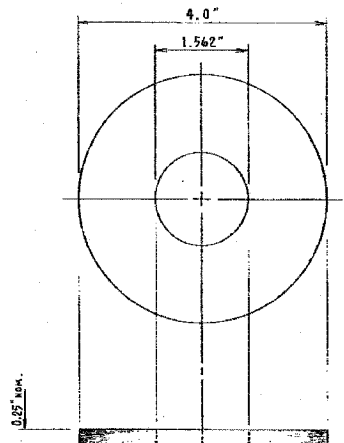


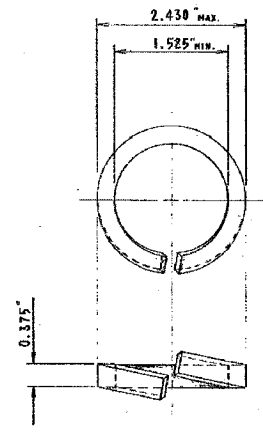
| | | | | |
|-----------------------|------------|----------|------------------|-----------|
| F.A.I. RTE. | SECTION | COUNTY | TOTAL SHEETS | SHEET NO. |
| 90/94 | 2004-099TS | COOK | 65 | 37 |
| STA. | | TO STA. | | |
| FED. ROAD DIST. NO. 1 | | ILLINOIS | FED. AID PROJECT | |
| 62840 | | | | |



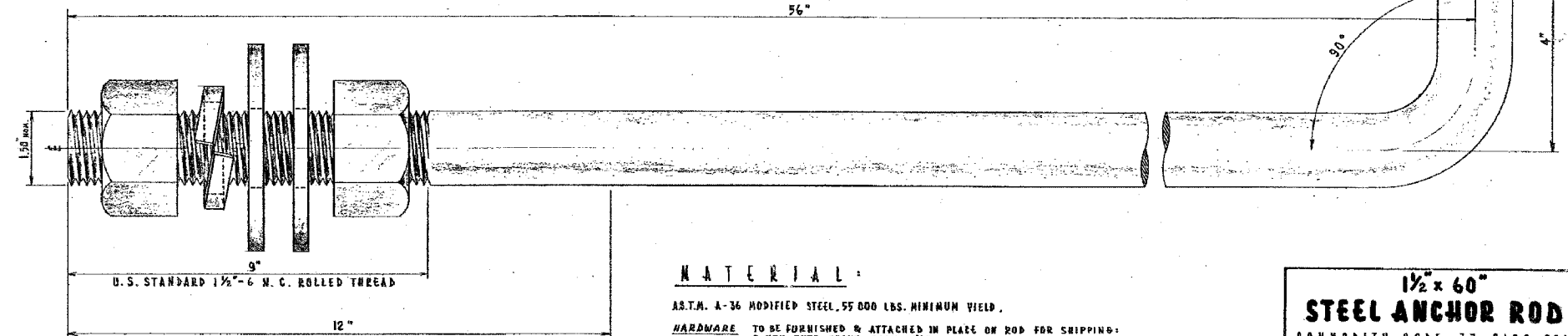
HEXAGON NUT
 AMER. NAT'L STD. HEAVY HEX. FLAT NUT
 (ANSI B 18.2.2 - 1972)



FLAT WASHER
 AMER. NAT'L STD. TYPE "B"
 SERIES "W"
 (ANSI B 18.22.1 - 1965, R1975)



LOCK WASHER
 AMER. NAT'L STD. HELICAL SPRING LOCK WASHER
 (ANSI B 18.21.1 - 1972)



U.S. STANDARD 1 1/2" - 6 N.C. ROLLED THREAD

A ZINC COATING, 0.0021 INCH IN THICKNESS SHALL BE APPLIED OVER THIS LENGTH AND COVERED WITH HEAVY NO-OX-ID, OR EQUAL, RUST INHIBITING COMPOUND

MATERIAL:

A.S.T.M. A-36 MODIFIED STEEL, 55,000 LBS. MINIMUM YIELD.
HARDWARE TO BE FURNISHED & ATTACHED IN PLACE ON ROD FOR SHIPPING:
 2 HEX. NUTS, HEAVY, GALV., 1 1/2"
 2 WASHERS, STEEL, BRND, GALV., TYPE "B", SERIES "W", 1 1/2"
 1 WASHER, LOCK, STEEL, GALV., HELICAL SPRING, REGULAR, 1 1/2"
 BOLT & NUTS SHALL HAVE AN AMERICAN STANDARD CLASS 2 OR 3 FIT.
 (NUT IS TAPPED OVERSIZE BY 1/32")

1 1/2" x 60"
STEEL ANCHOR ROD
 CONCRETE CODE 37-8180-0240

| | | | |
|---------|-------------------------------------------------------------------------------------------------------------------|--------------------|---------------------|
| REVISED | CITY OF CHICAGO DEPT. OF STREETS AND SANITATION BUREAU OF ELECTRICITY DIVISION OF ELECTRICAL ENGINEERING | | |
| A | DRAWN: CYRIL G. GILLESPIE | CHECKED: A. GUNDEL | DATE: JULY 29, 1982 |
| B | DESIGNED: M. SHINE | DATE: AUG. 3, 1982 | |
| C | ENGINEER: M. SHINE | DATE: AUG. 3, 1982 | |
| D | DEPT. OF STREETS AND SANITATION | DATE: AUG. 3, 1982 | |
| E | DATE: AUG. 3, 1982 | | |
| F | DATE: AUG. 3, 1982 | | |
| G | DATE: AUG. 3, 1982 | | |

| REVISIONS | |
|-----------|------|
| NAME | DATE |
| | |
| | |
| | |
| | |
| | |
| | |
| | |
| | |
| | |
| | |

ILLINOIS DEPARTMENT OF TRANSPORTATION
 F.A.I. 90/94 (DAN RYAN EXPRESSWAY)
 TRAFFIC SIGNALS AT 63RD STREET AND
 WENTWORTH AVENUE/ WELLS STREET
BOE STANDARD DETAILS

SCALE: NOT TO SCALE
 DATE: November 05, 2004
 DRAWN BY: HAR
 CHECKED BY: WDS

11/04/2004 09:02:44 AM m:\p\0468\elect\14\crr\9.sh\contract\Sc8.boe090202.sht