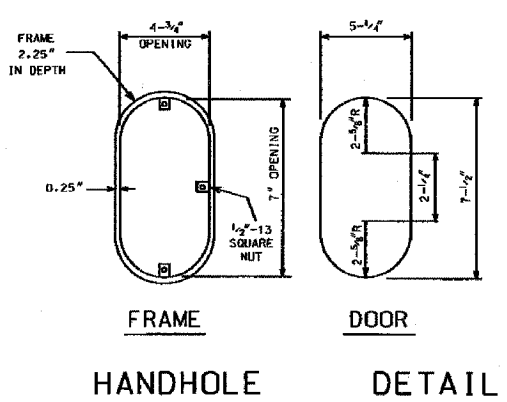
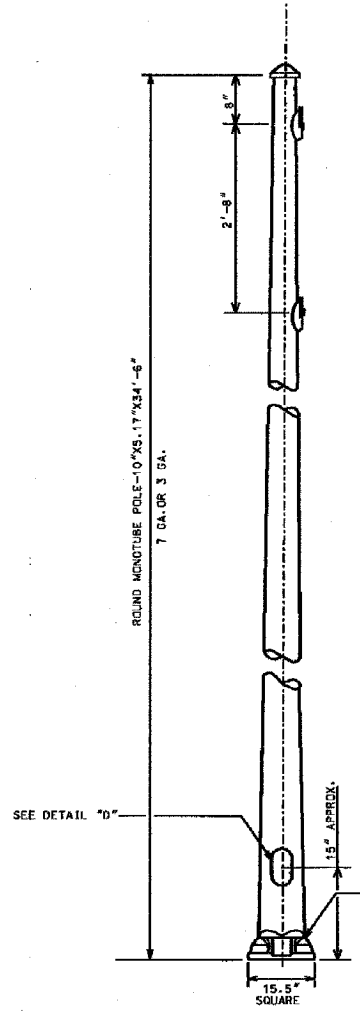
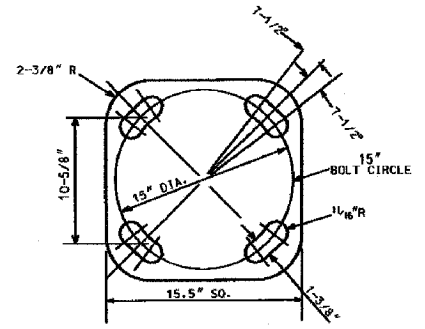
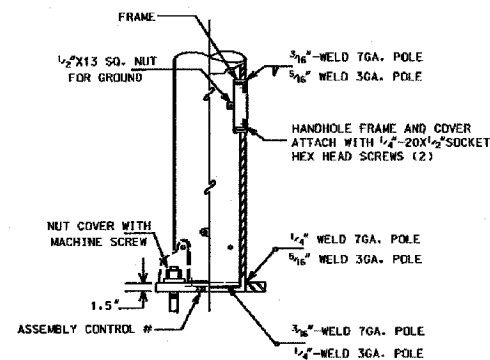
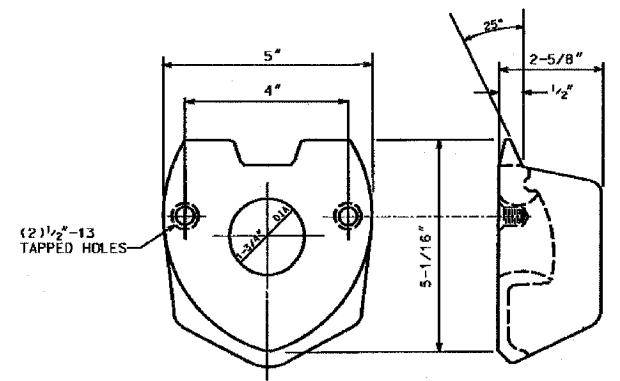
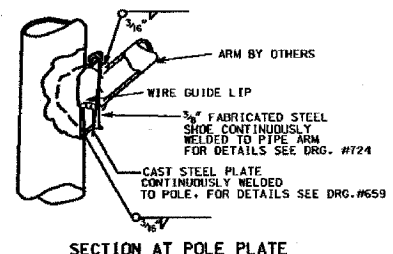
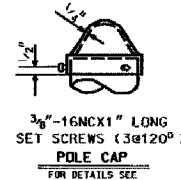


F.A.I. RTE.	SECTION	COUNTY	TOTAL SHEETS	SHEET NO.
90/94	2004-099TS	COOK	65	38
STA.		TO STA.		
FED. ROAD DIST. NO. 1		ILLINOIS FED. AID PROJECT		
62840				



5.17"x10.0" STEEL/34'-6" POLE 7 OR 3 GAUGE		
CITY OF CHICAGO DEPT. OF STREETS AND SANITATION BUREAU OF ELECTRICITY DIVISION OF ELECTRICAL ENGINEERING		
DRAFTSMAN <b>ROBERT IVY</b>	CHIEF DRAFTSMAN <b>ROBERT CARTER</b>	ENGINEERS <b>RON POOL</b>
SUPERVISING ENGINEER: ELEC. DESIGN ENGR.		DWG. NO.
ENGINEER OF ELECTRICITY:		<b>808</b>
DEPT. SUPT. OF ELECTRICITY:		
DEPUTY COMMISSIONER: <i>Dean J. Murphy</i>		10-03-01

REVISIONS	
NAME	DATE

ILLINOIS DEPARTMENT OF TRANSPORTATION  
F.A.I. 90/94 (DAN RYAN EXPRESSWAY)  
TRAFFIC SIGNALS AT 63RD STREET AND  
WENTWORTH AVENUE/ WELLS STREET  
BOE STANDARD DETAILS

SCALE: NOT TO SCALE  
DATE: November 05, 2004  
DRAWN BY: HAR  
CHECKED BY: WDS

m:\p4\465\elec\N4-ctrl\5\stl\Contract 905\0605-001023.stp