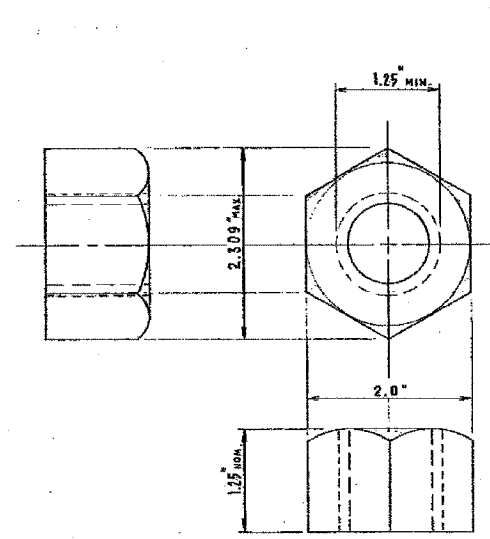
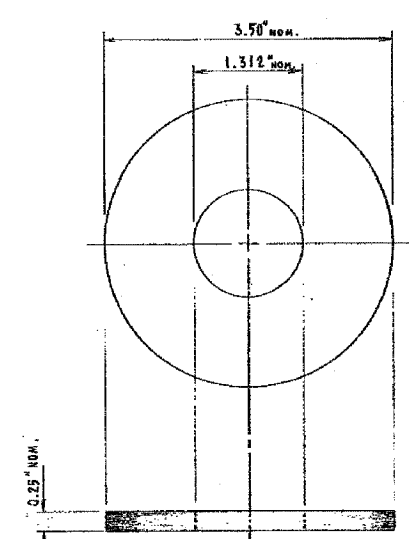


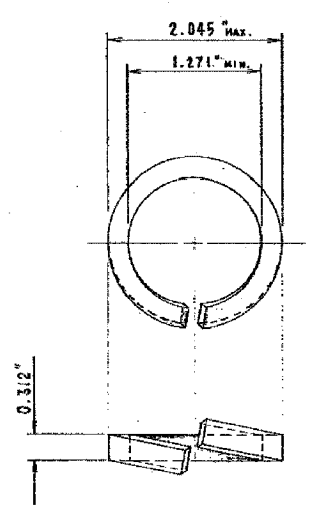
F.A.I. RTE.	SECTION	COUNTY	TOTAL SHEETS	SHEET NO.
90/94	2004-099TS	COOK	65	39
STA.		TO STA.		
FED. ROAD DIST. NO. 1		ILLINOIS	FED. AID PROJECT	
62840				



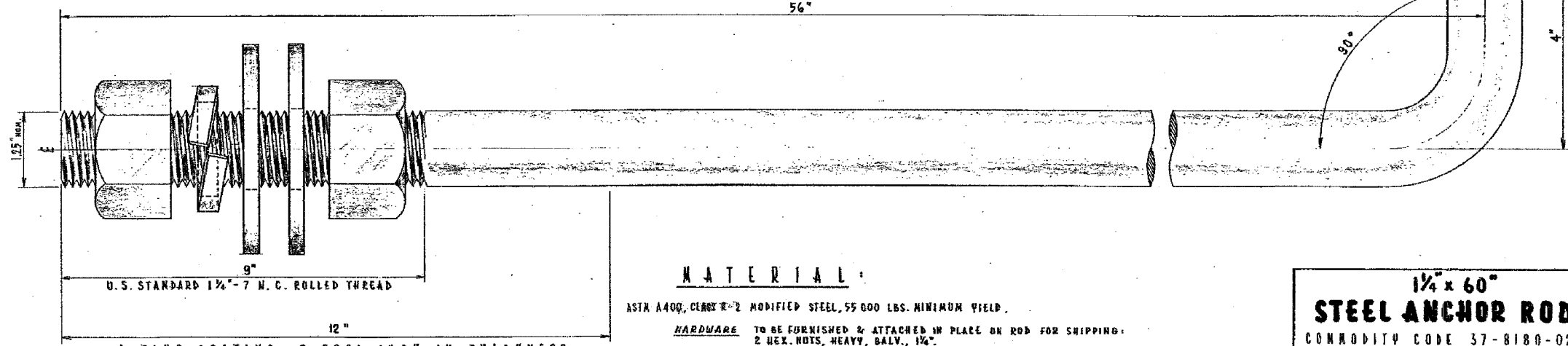
HEXAGON NUT
 AMER. NAT'L. STD. HEAVY HEX. FLAT NUT
 (ANSI B 18.2.2 - 1972)



FLAT WASHER
 AMER. NAT'L. STD. TYPE "B"
 SERIES "W"
 (ANSI B 18.22.1-1965, R1975)



LOCK WASHER
 AMER. NAT'L. STD. HELICAL SPRING LOCK WASHER
 (ANSI B 18.21.1 - 1972)



A ZINC COATING, 0.0021 INCH IN THICKNESS SHALL BE APPLIED OVER THIS LENGTH AND COVERED WITH HEAVY NO-OX-ID, OR EQUAL, RUST INHIBITING COMPOUND

MATERIAL:

ASTM A400, CLASS "B" MODIFIED STEEL, 55 000 LBS. MINIMUM YIELD.
HARDWARE TO BE FURNISHED & ATTACHED IN PLACE ON ROD FOR SHIPPING:
 2 HEX. NUTS, HEAVY, GALV., 1/4"
 2 WASHERS, STEEL, ROUND, GALV., TYPE "B", SERIES "W", 1/4"
 1 WASHER, LOCK, STEEL, GALV., HELICAL SPRING, REGULAR, 1/4"
 BOLT & NUTS SHALL HAVE AN AMERICAN STANDARD CLASS 2 OR 3 FIT.
 (NUT IS TAPPED OVERSIZE BY 1/32")

1/4" x 60"
STEEL ANCHOR ROD
 COMMODITY CODE 37-8180-0236

REVISED	CITY OF CHICAGO DEPT. OF STREETS AND SANITATION BUREAU OF ELECTRICITY DIVISION OF ELECTRICAL ENGINEERING		
A	JULY 29, 1942	DRAWN EDMUND GEARLIS	CHECKED J. WELLS
B		ENGINEER M. SHINE	DRG. NO.
C		TICKET NUMBER	811
D		ENGINEER OF ELECTRICAL	
E		DEPT. COMMISSIONER	
F			
G		SIZE 17" x 28"	SCALE DATE AUG. 3, 1942

REVISIONS	
NAME	DATE

ILLINOIS DEPARTMENT OF TRANSPORTATION
 F.A.I. 90/94 (DAN RYAN EXPRESSWAY)
 TRAFFIC SIGNALS AT 63RD STREET AND
 WENTWORTH AVENUE/ WELLS STREET
BOE STANDARD DETAILS

SCALE: NOT TO SCALE
 DATE: November 05, 2004
 DRAWN BY: HAR
 CHECKED BY: WDS

11/04/2004 09:02:05 AM