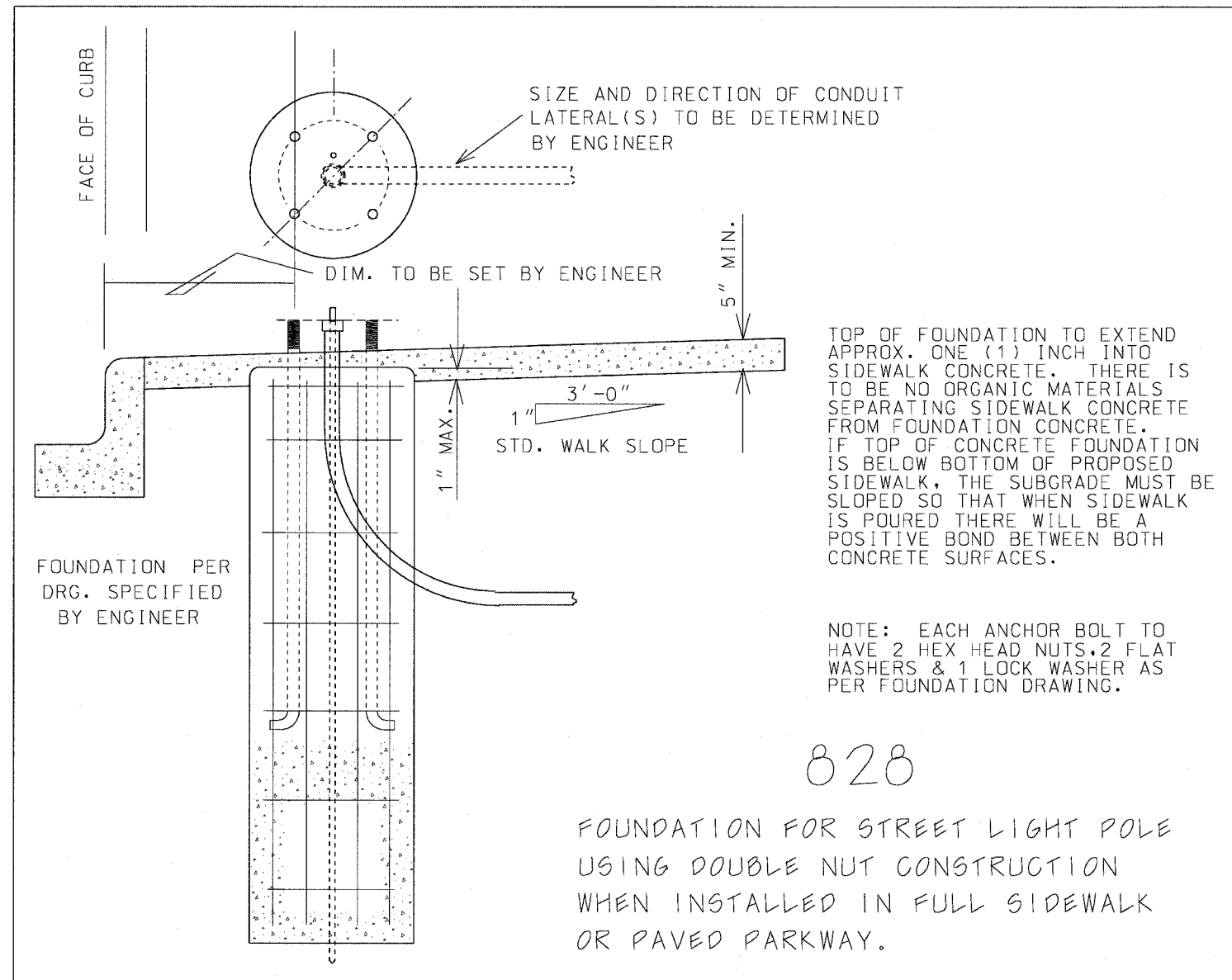


F.A.I. RTE.	SECTION	COUNTY	TOTAL SHEETS	SHEET NO.
90/94	2004-099TS	COOK	65	45
STA.		TO STA.		
FED. ROAD DIST. NO. 1	ILLINOIS	FED. AID PROJECT		
62840				



REVISIONS	
NAME	DATE

11/04/2004 09:02:22 AM