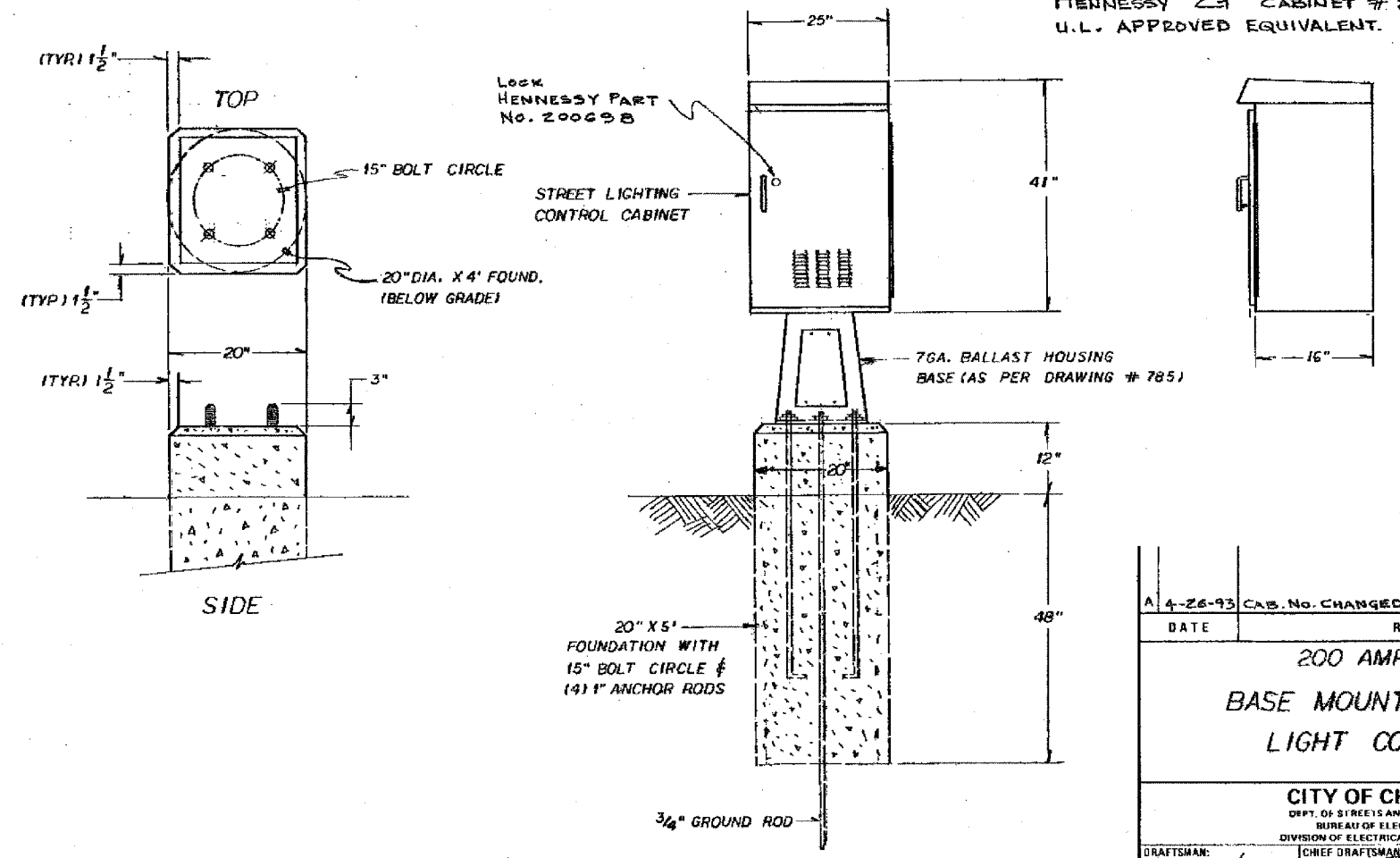


F.A.I. RTE.	SECTION	COUNTY	TOTAL SHEETS	SHEET NO.
90/94	2004-0997S	COOK	65	54
STA.	TO STA.			
FED. ROAD DIST. NO. 1	ILLINOIS	FED. AID PROJECT		
62840				

CODE	DRWS.	MATERIAL	SIZE	QUANT.
05-5082-5324	---	FIBER FORM	20" $\phi$	4'
05-3267-2940	---	CONCRETE	CU. YD.	0.7
37-8180-0236	811	ANCHOR ROD	1" X 60"	4
09-7796-9200	---	GROUND ROD	3/4" X 10'	1
09-2636-3240	---	CLAMP, GROUND ROD	3/4"	1
09-3392-7850	---	CABINET ALUMINUM	41" X 25" X 16"	1
37-2130-4280	785	BALLAST HOUSING BS	1'-4" X 1'-8"	1

- DRILL (4) 1/2" DIA. HOLES IN BOTTOM OF CABINET & TOP OF BALLAST HOUSING BASE. BOLT CABINET TO B.H.B. USING (4) 3/8" X 2 1/2" BOLTS.
- OPENINGS IN BOTTOM OF CABINET & TOP OF B.H.B. MAY BE ENLARGED TO A MAX. OF 5" X 10" TO FACILITATE ADDITIONAL CABLE.
- NUMBER & SIZE OF CONDUITS TO BE SHOWN ON CONSTRUCTION DRAWINGS.
- SEE DRAWING # 884 FOR ELECTRICAL PANEL DETAILS.
- SEE DRAWINGS # 862 & 864 FOR WIRING DIAGRAM.

NOTE:  
HENNESSY "Z1" CABINET # 212374 OR  
U.L. APPROVED EQUIVALENT.



A 4-26-93 CAB. NO. CHANGED CITY NAME REMOVED	
DATE	REVISION
200 AMP, BASE MOUNTED STREET LIGHT CONTROLLER	
CITY OF CHICAGO DEPT. OF STREETS AND SANITATION BUREAU OF ELECTRICITY DIVISION OF ELECTRICAL ENGINEERING	
DRAFTSMAN: <i>Armando Vivanco</i>	ENGINEER: <i>M. DeBortolo</i>
SUPERVISING ENGINEER: <i>D. Carlson</i>	ELEC. DESIGN ENGR. <i>Carmen Respingo</i>
ENGINEER OF ELECTRICITY: <i>A. Dubelsky</i>	DWG. NO. <b>880</b>
DEPT. COMMISSIONER: <i>[Signature]</i>	DATE:
SIZE: 16   21	SCALE:

REVISIONS	NAME	DATE

ILLINOIS DEPARTMENT OF TRANSPORTATION  
F.A.I. 90/94 (DAN RYAN EXPRESSWAY)  
TRAFFIC SIGNALS AT 63RD STREET AND  
WENTWORTH AVENUE/ WELLS STREET  
BOE STANDARD DETAILS

SCALE: NOT TO SCALE  
DATE: November 05, 2004  
DRAWN BY: HAR  
CHECKED BY: WDS

m:\p\040468\elect\14-ent\9377\contract\938\boe0997S0202.dwg 11/04/2004 09:02:31 AM