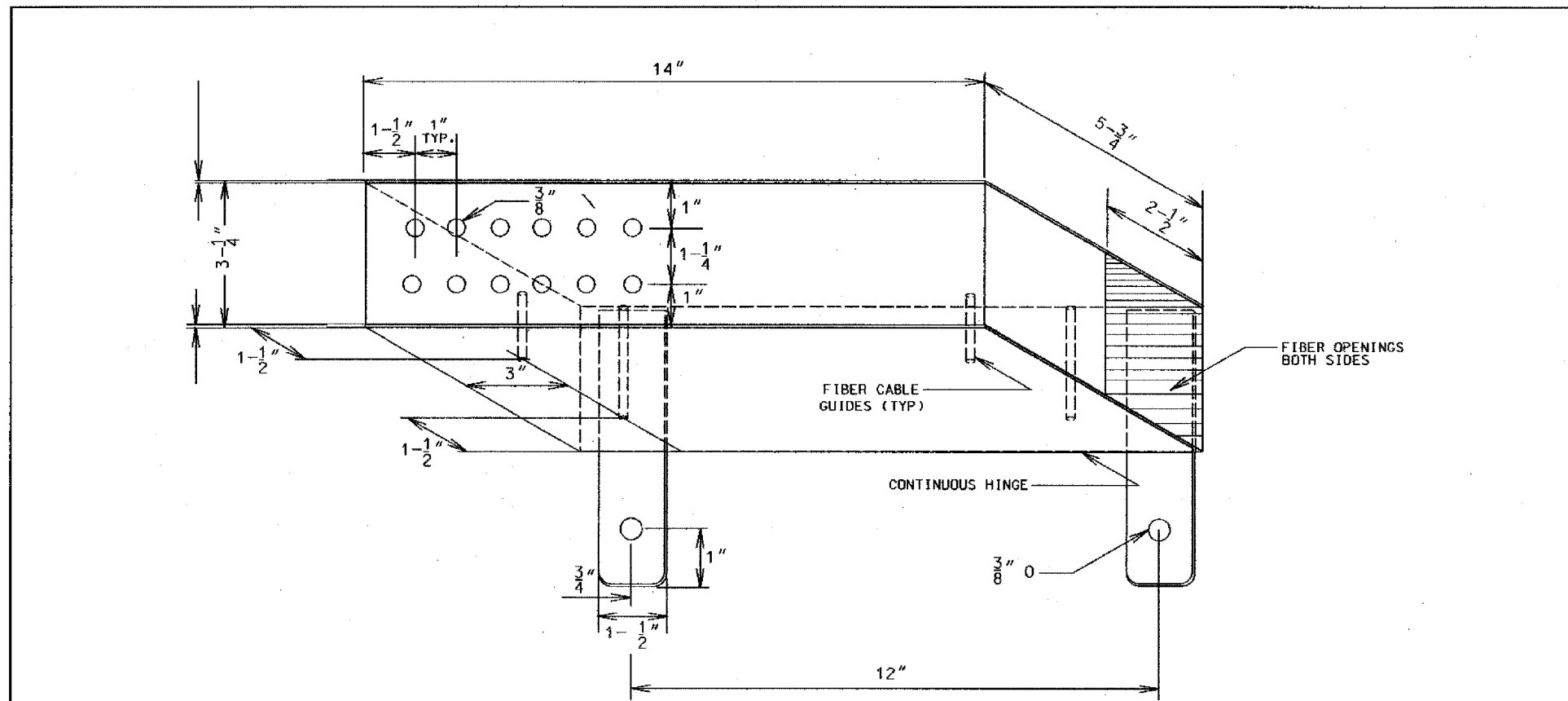


F.A.I. RTE.	SECTION	COUNTY	TOTAL SHEETS	SHEET NO.
90/94	2004-099TS	COOK	65	57
STA.		TO STA.		
FED. ROAD DIST. NO. 1		ILLINOIS	FED. AID PROJECT	
62840				



FIBER OPTIC PATCH PANEL  
FOR CITY OF CHICAGO  
TRAFFIC SIGNAL CONTROLLER

THIS PANEL WAS SUPPLIED FOR C.B.D. INTERCONNECT  
AND IS TO BE THE STANDARD FOR ALL CITY INSTALLATIONS

FIBER OPTIC PATCH PANEL		
CITY OF CHICAGO DEPT. OF STREETS AND SANITATION BUREAU OF ELECTRICITY DIVISION OF ELECTRICAL ENGINEERING		
DRAFTSMAN: ROBERT IVY	CHIEF DRAFTSMAN: ROBERT CARTER	ENGINEER: WALTER TROMPKA
SUPERVISING ENGINEER: W. J. [Signature]	ELEC. DESIGN [Signature]	DWG. NO. 909
ENGINEER OF ELECTRICITY: [Signature]	DEPUTY COMMISSIONER: [Signature]	DATE: 11-01-02
SIZE: 1	SCALE:	

BOE-33A

REVISIONS	
NAME	DATE

ILLINOIS DEPARTMENT OF TRANSPORTATION  
F.A.I. 90/94 (DAN RYAN EXPRESSWAY)  
TRAFFIC SIGNALS AT 63RD STREET AND  
WENTWORTH AVENUE/ WELLS STREET  
BOE STANDARD DETAILS

SCALE: NOT TO SCALE  
DATE: November 05, 2004  
DRAWN BY: HAR  
CHECKED BY: WDS